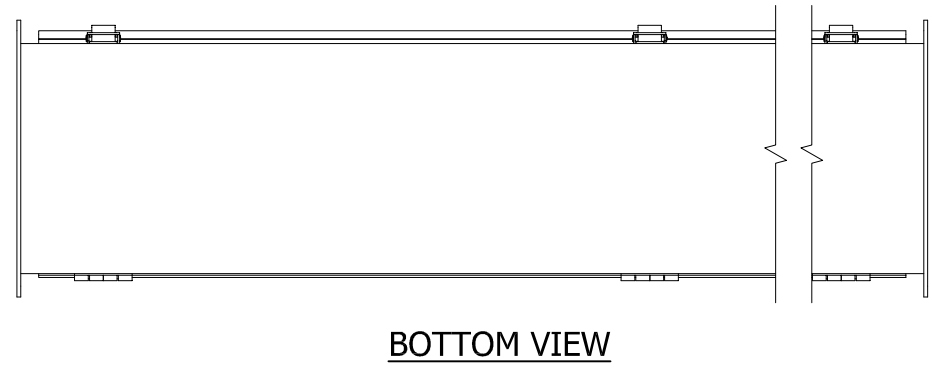
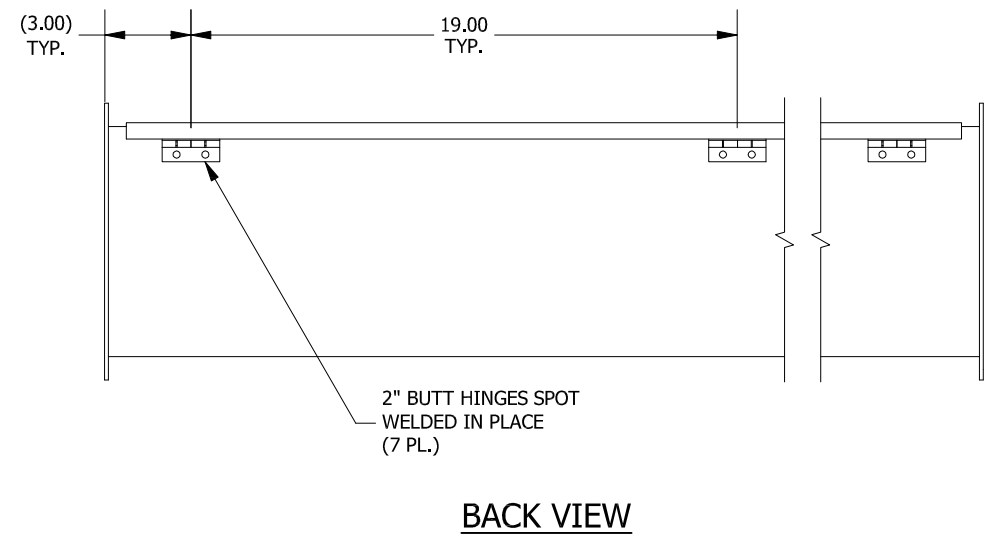
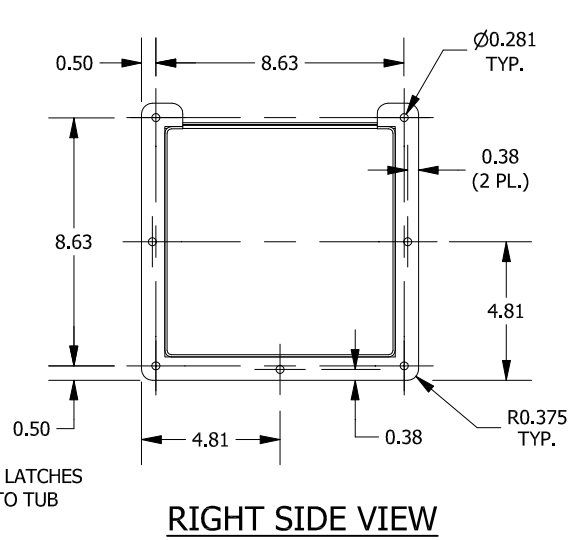


QUICK RELEASE LATCHES
SPOT WELDED TO TUB
(7 PL.)



PART#: LJW810
(DATA SUBJECT TO CHANGE WITHOUT NOTICE)

THIS DRAWING IS PROPERTY OF HUBBELL INC. WIEGMANN
ALL INFORMATION IS PROPRIETARY AND NOT TO BE DUPLICATED