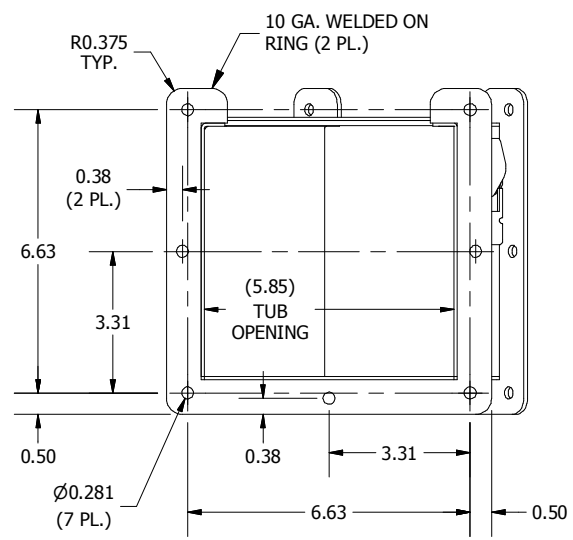
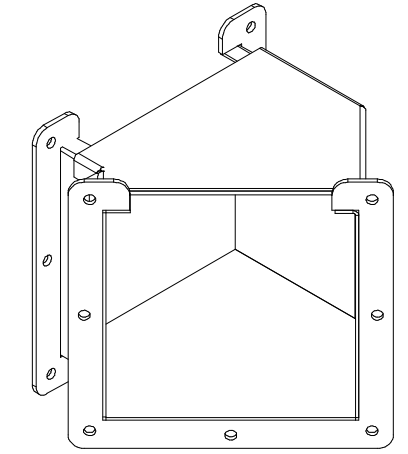
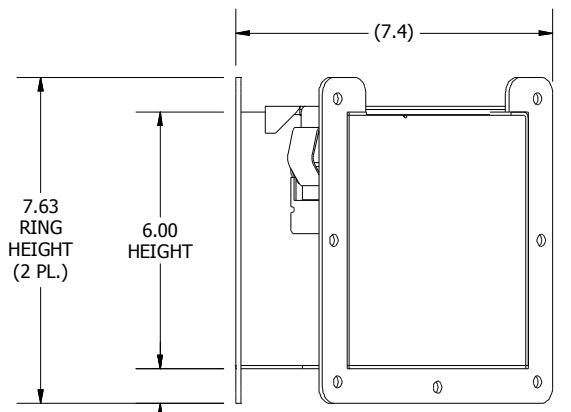


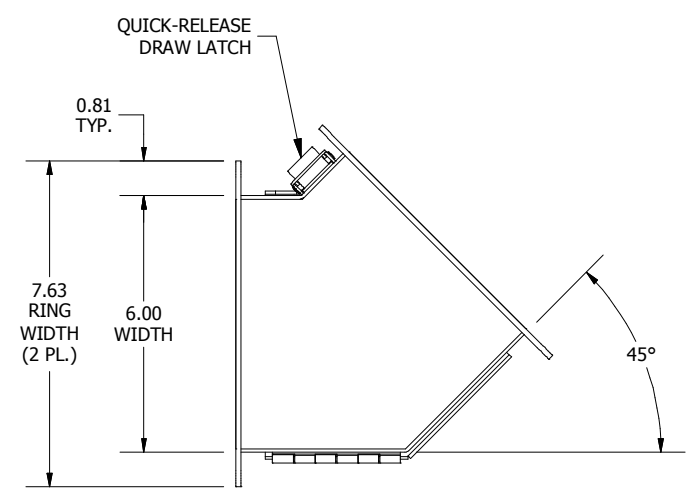
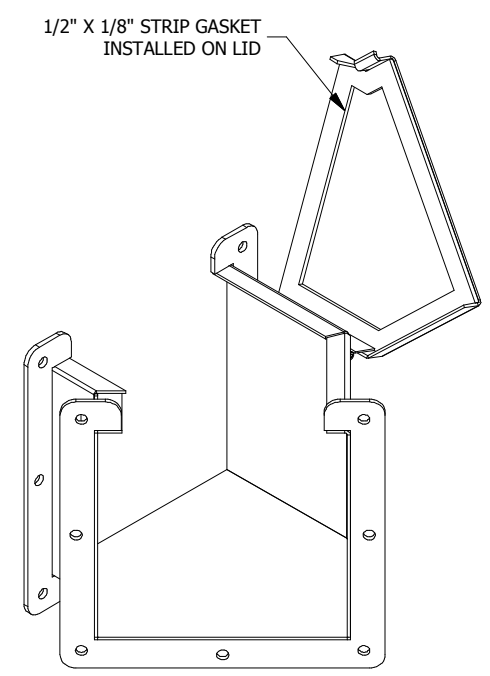
**TOP VIEW**



**LEFT SIDE VIEW**



**FRONT VIEW**



**BOTTOM VIEW**

PART#: LJWL456A  
 (DATA SUBJECT TO CHANGE WITHOUT NOTICE)

THIS DRAWING IS PROPERTY OF HUBBELL INC. WIEGMANN  
 ALL INFORMATION IS PROPRIETARY AND NOT TO BE DUPLICATED