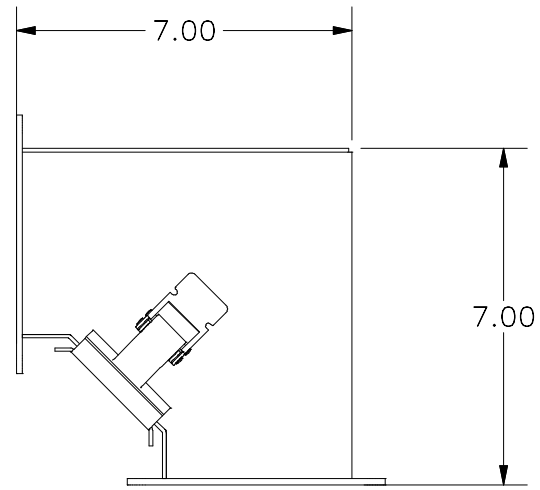
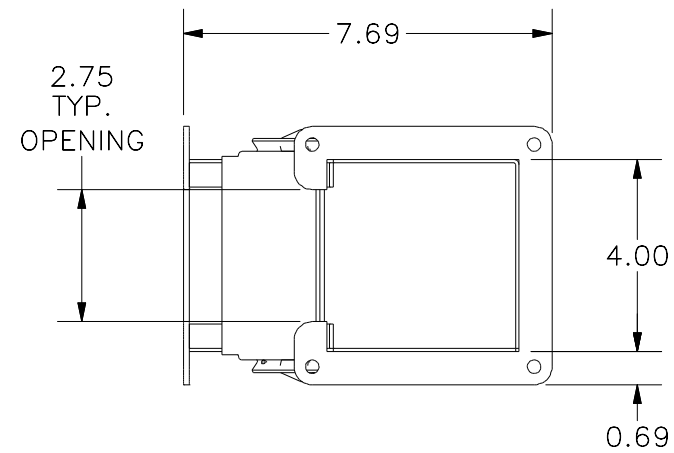


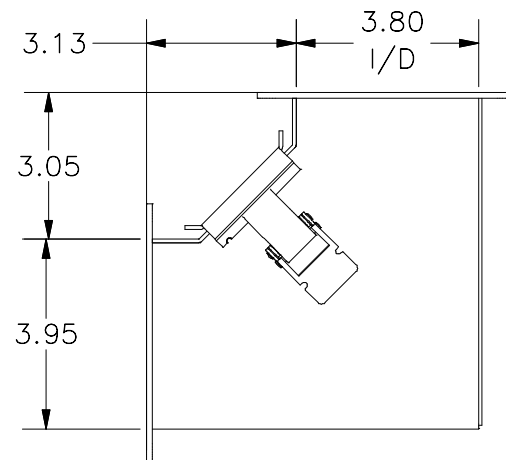
FRONT VIEW



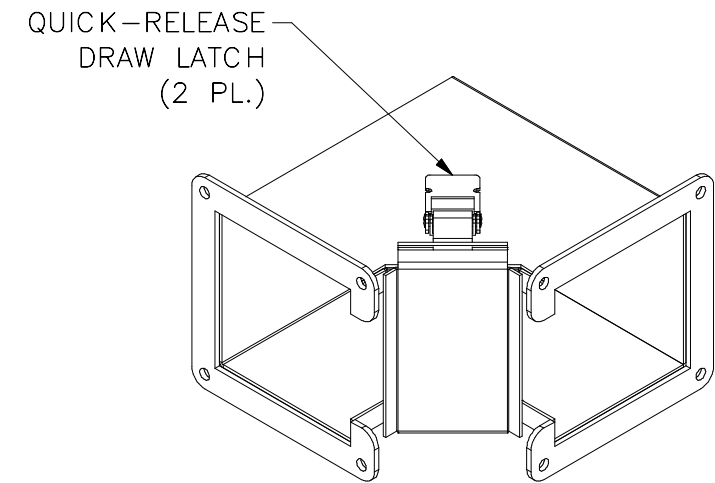
TOP VIEW



RIGHT SIDE VIEW



BOTTOM VIEW



PART#: LJWL904B
 (DATA SUBJECT TO CHANGE WITHOUT NOTICE)

THIS DRAWING IS PROPERTY OF HUBBELL INC. WIEGMANN
 ALL INFORMATION IS PROPRIETARY AND NOT TO BE DUPLICATED