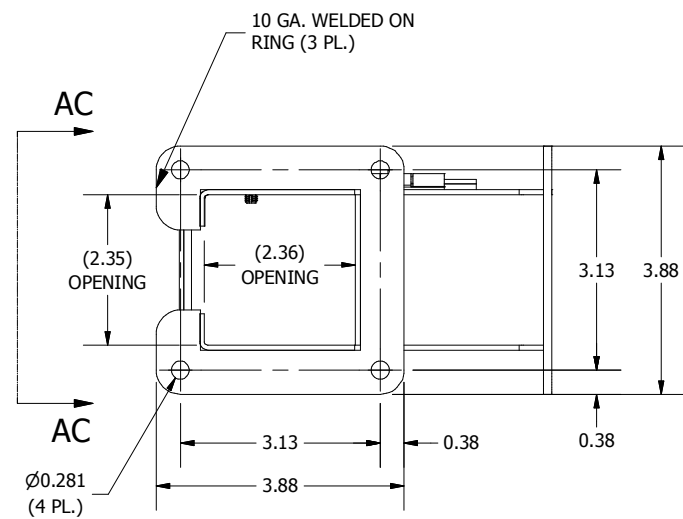
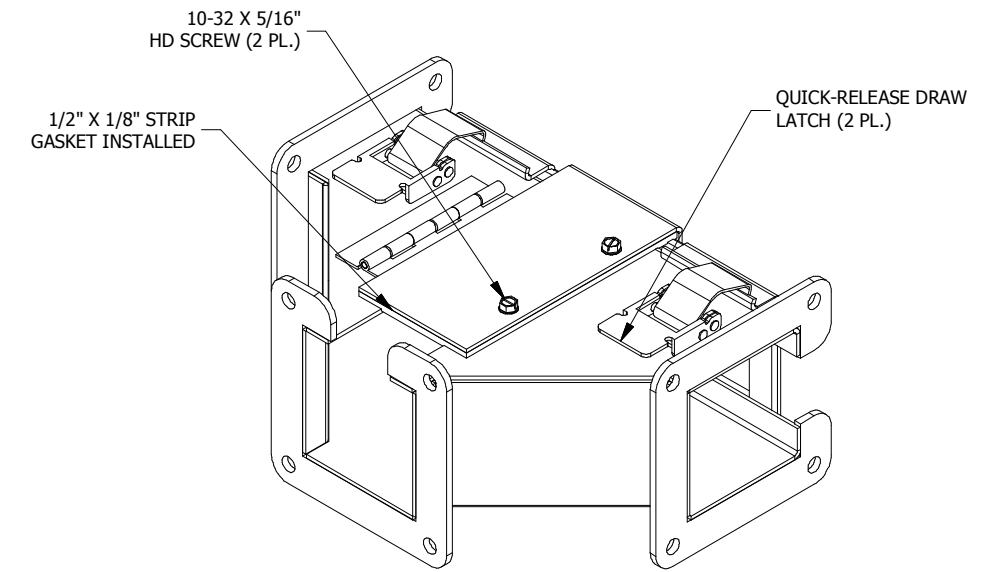
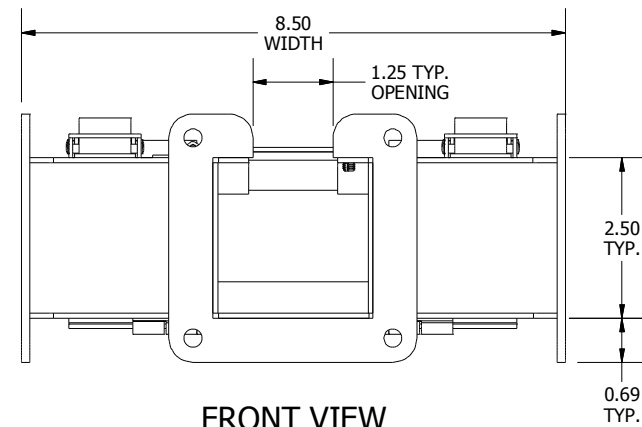


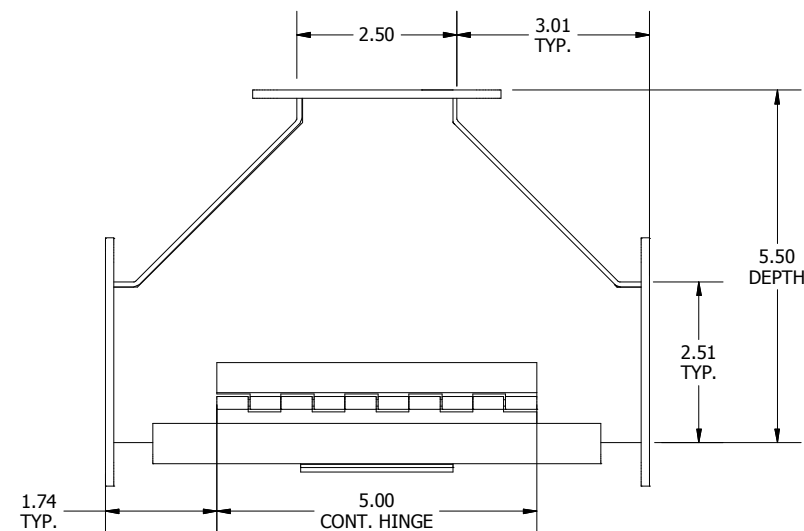
TOP VIEW



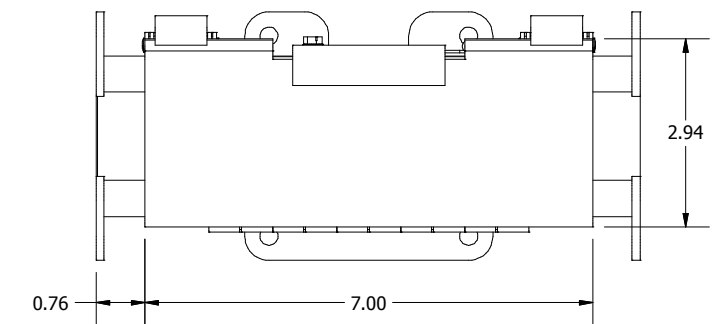
LEFT SIDE VIEW



FRONT VIEW



BOTTOM VIEW



**VIEW AC-AC
(BACK LID VIEW)**

PART#: LJWT2C
(DATA SUBJECT TO CHANGE WITHOUT NOTICE)

THIS DRAWING IS PROPERTY OF HUBBELL INC. WIEGMANN
ALL INFORMATION IS PROPRIETARY AND NOT TO BE DUPLICATED