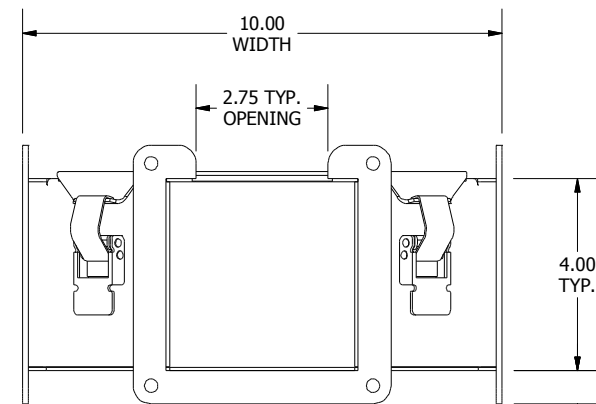
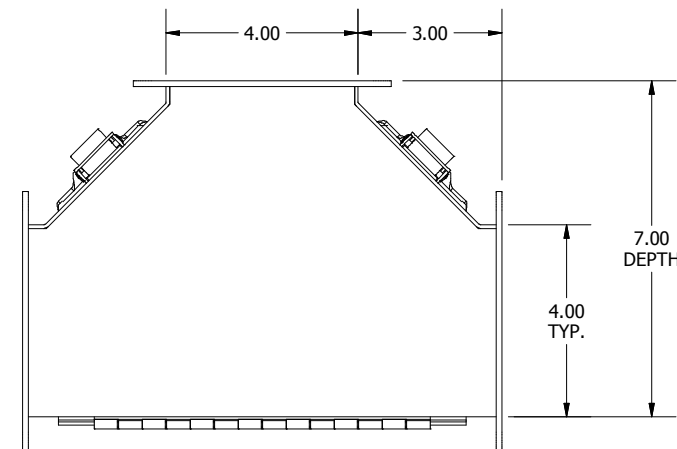


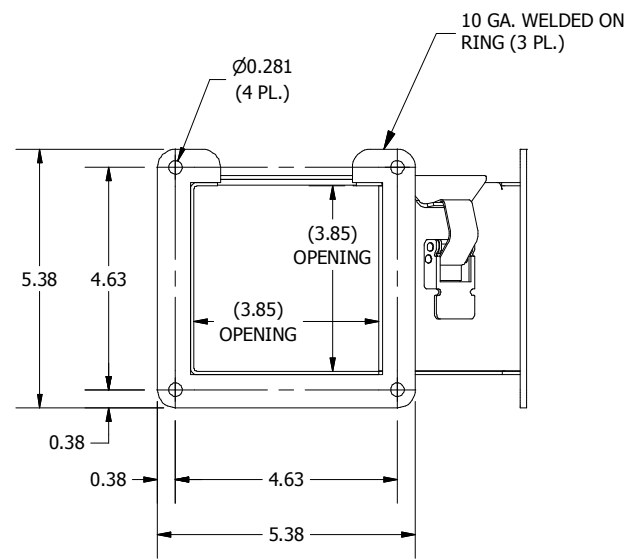
TOP VIEW



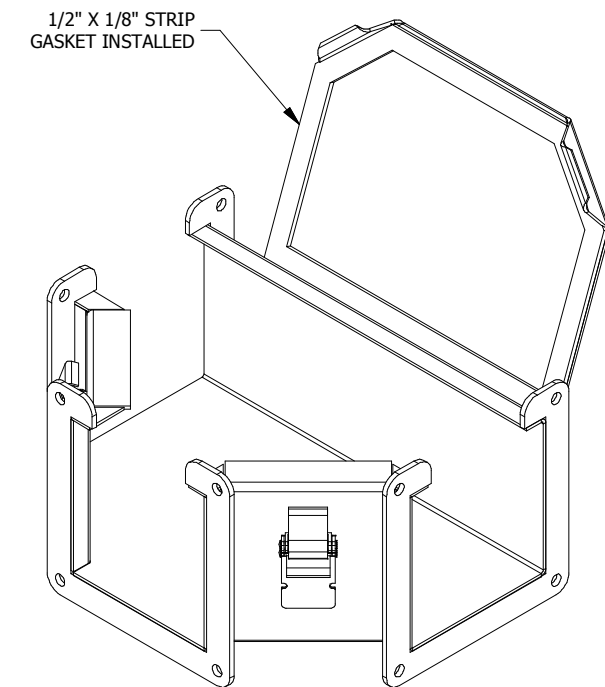
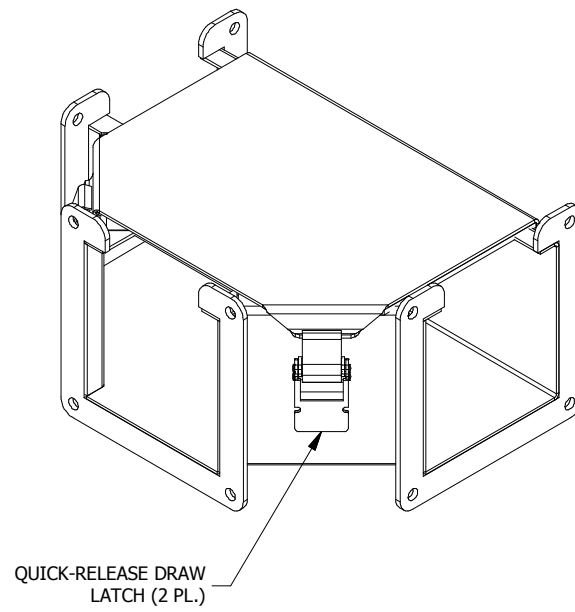
FRONT VIEW



BOTTOM VIEW



LEFT SIDE VIEW



PART#: LJWT4A
(DATA SUBJECT TO CHANGE WITHOUT NOTICE)

THIS DRAWING IS PROPERTY OF HUBBELL INC. WIEGMANN
ALL INFORMATION IS PROPRIETARY AND NOT TO BE DUPLICATED