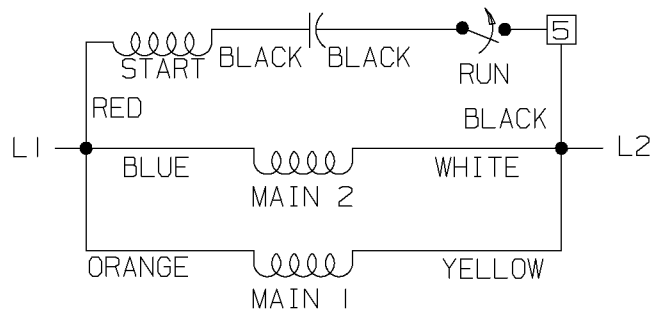


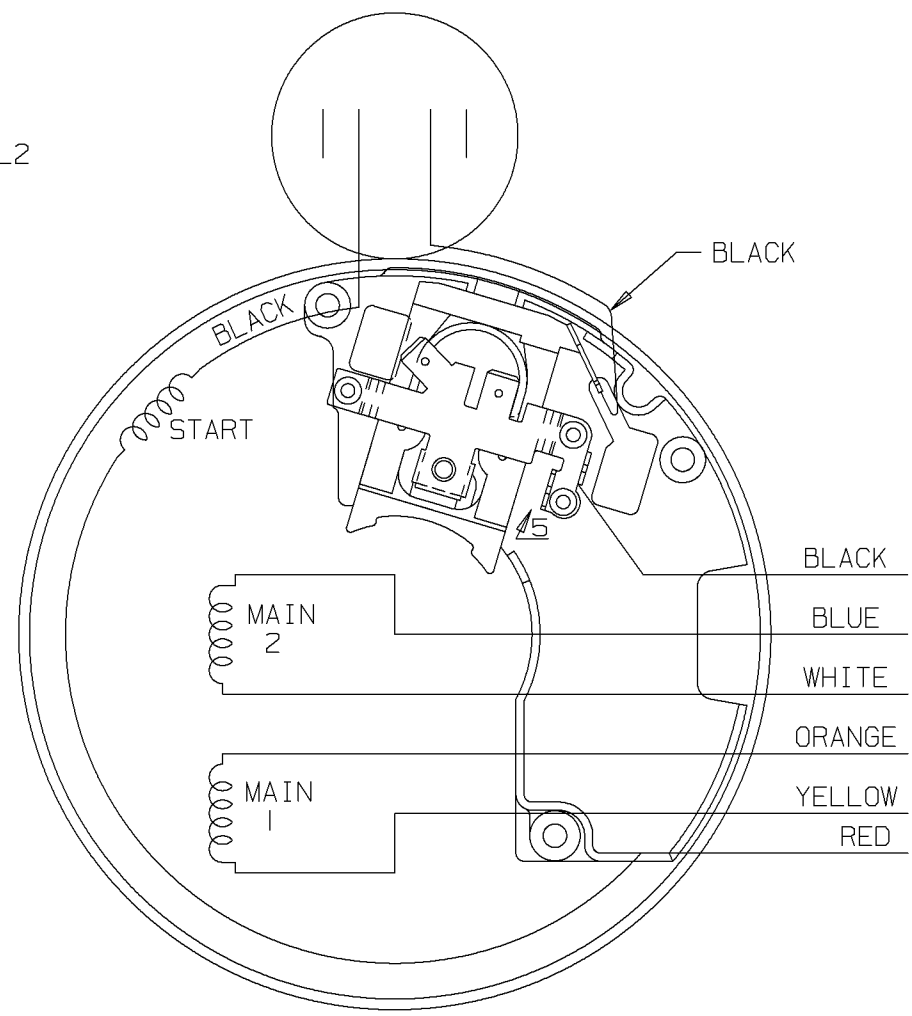
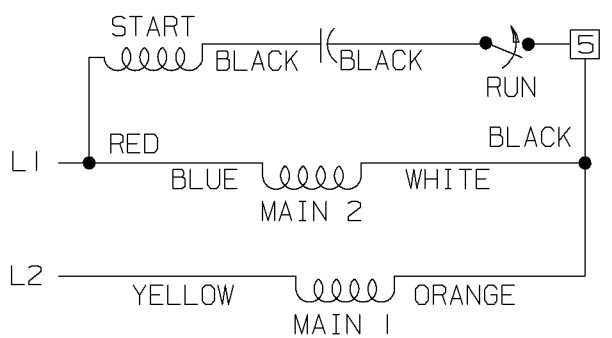
A - EE9023D-LN

LOW VOLTAGE C.C.W.



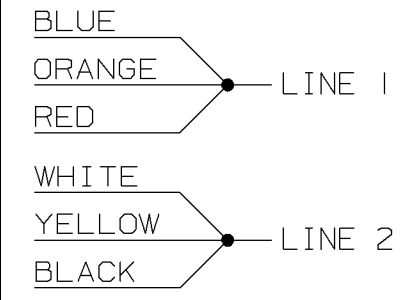
START

HIGH VOLTAGE C.C.W.

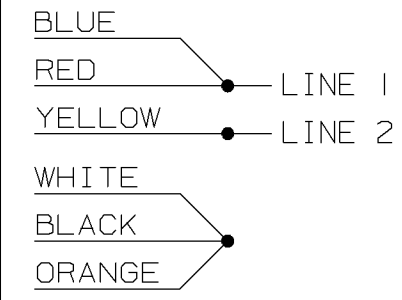


DUAL VOLTAGE  
CAPACITOR START  
NO OVERLOAD  
SELECT ROTATION

LOW VOLT. CCW ROT.



HIGH VOLT. CCW ROT.



FOR CW ROT. EITHER  
VOLTAGE INTERCHANGE  
RED WITH BLACK LEAD.

A-S4AF4

REV	DATE	CHANGE	NAME
1	11-24-1999	NEW DRAWING	TJB



✓ MAX. SURFACE ROUGHNESS UNLESS OTHERWISE NOTED FINISH MATERIAL	UNLESS OTHERWISE SPECIFIED DIMENSIONS ARE IN INCHES TOL. ON XX± .02    XXX± .005    XXXX± .0005    ANGLES± 7'30"		
	DRAWN BY TJB CHKD BY ML	11-23-1999 11-24-1999	
	APPD BY GK	11-24-1999	

PART NAME CONNECTION DIAGRAM

DRWG NO  
A - EE9023D-LN

PURCHASED CADD FILE NO. EE9023D-LN