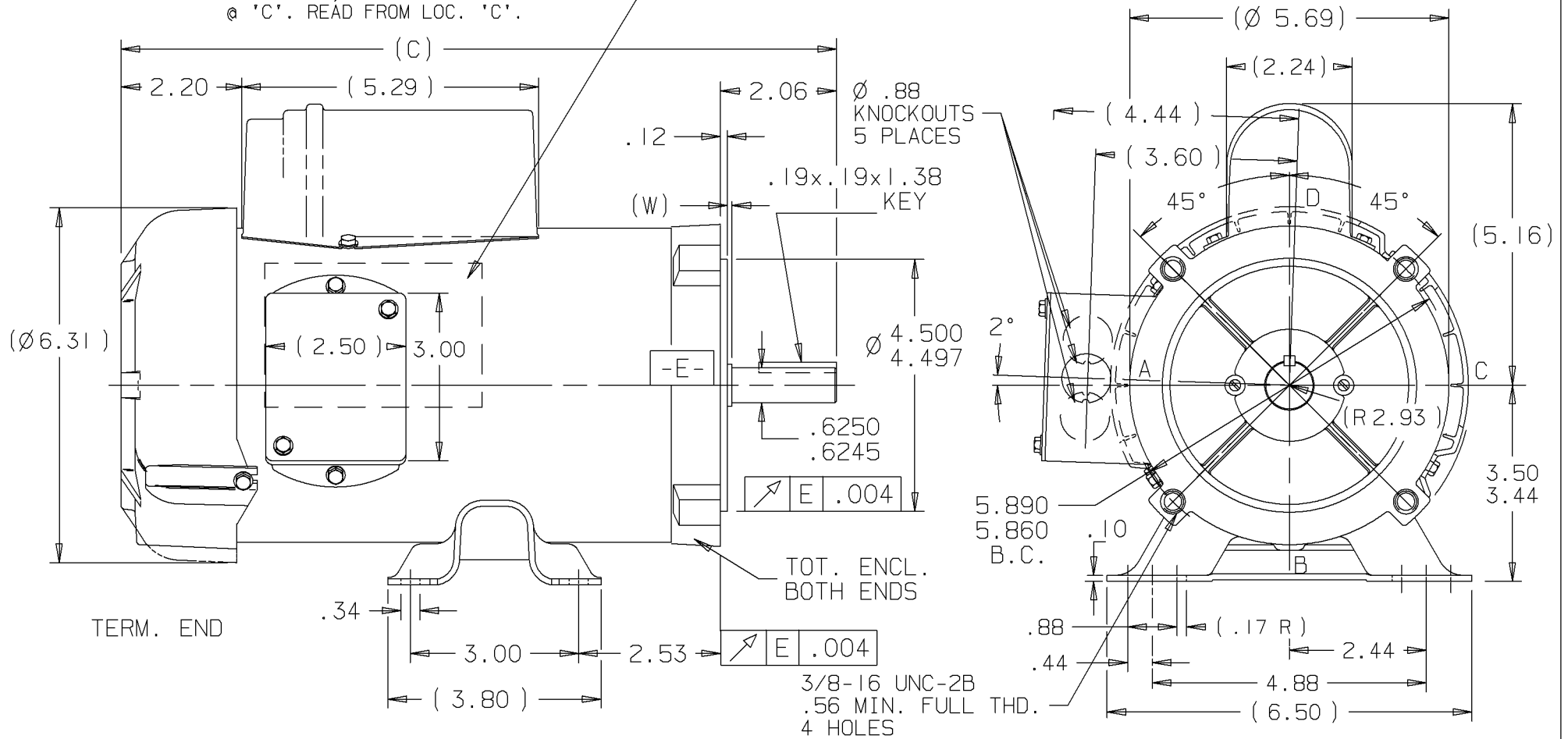


NAMEPLATE LOC. .25" BELOW
CAPACITOR, .50" FROM EDGE OF FRAME
@ 'C'. READ FROM LOC. 'C'.

'W' = CLEARANCE ALLOWED FOR ALL VARIANCES
IN MANUFACTURING & ASSEMBLY

A-SS75183LN



DASH	C	DASH	C	DASH	C
525	10.19	625	11.19	700	11.94
575	10.69	650	11.44	725	12.19
600	10.94	675	11.69		

				<p>UNLESS OTHERWISE SPECIFIED DIMENSIONS ARE IN INCHES TOL. ON XX±.03 XXX±.005 XXXX±.0005 ANGLES± 7'30"</p>			
				<p>MAX. SURFACE ROUGHNESS UNLESS OTHERWISE NOTED</p>		<p>DRAWN BY DRS 11-24-1999</p>	
				<p>FINISH</p>		<p>CHKD BY ML 11-24-1999</p>	
				<p>MATERIAL</p>		<p>APPD BY GK 11-24-1999</p>	
				<p>PART NAME OUTLINE</p>			
				<p>DRWG NO A-SS75183LN</p>			
REV	DATE	CHANGE	NAME				

L | PURCHASED | CADD FILE NO. | SS75183LN