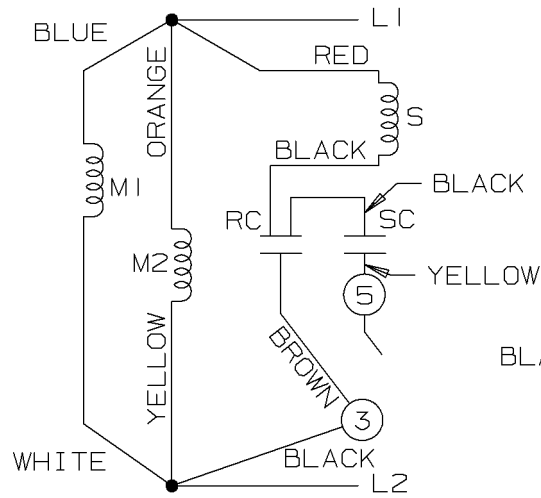
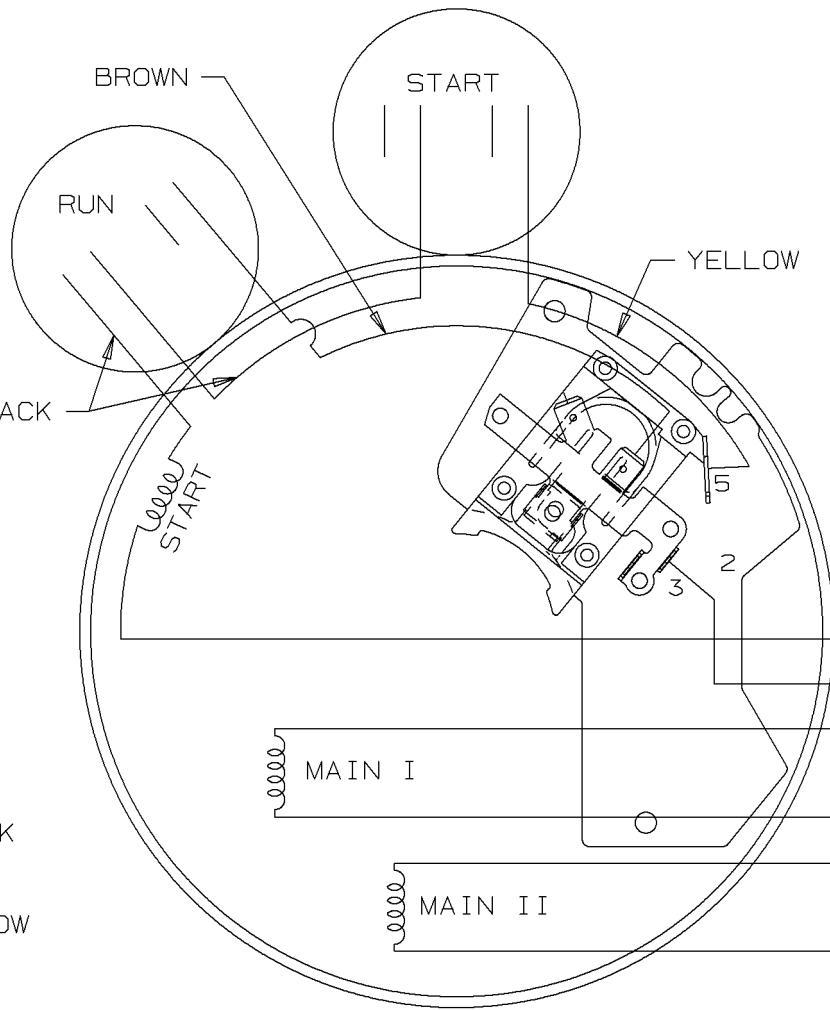
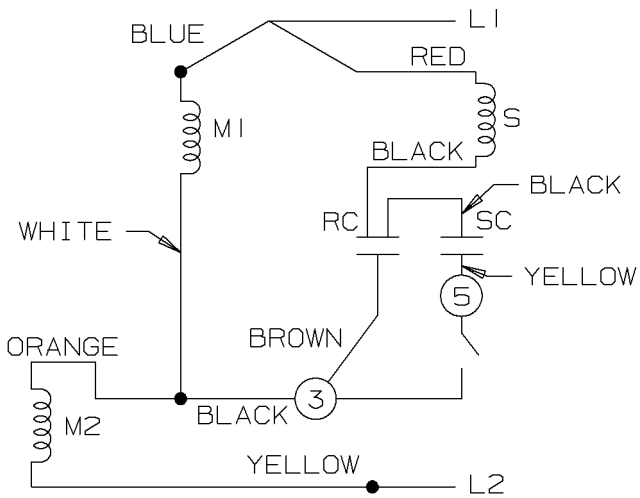


LOW VOLTAGE C.C.W.

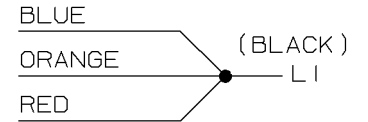


HIGH VOLTAGE C.C.W.

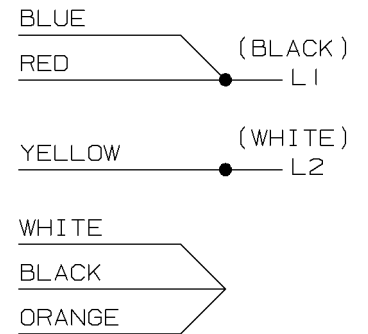


DUAL VOLTAGE CAPACITOR
START-CAP RUN NO OVERLOAD
SELECT ROTATION

LOW VOLTAGE C.C.W. ROTATION



HIGH VOLTAGE C.C.W. ROTATION



FOR C.W. ROTATION,
EITHER VOLTAGE,
INTERCHANGE RED WITH
BLACK LEAD

					✓ UNLESS OTHERWISE SPECIFIED DIMENSIONS ARE IN INCHES TOL. ON XX± XXX±.005 XXXX±.0005 ANGLES± 7'30"		
					MAX. SURFACE ROUGHNESS UNLESS OTHERWISE NOTED		DRAWN BY BLR 09-29-1999 CHKD BY DRS 09-29-1999
1	09-29-1999	NEW DRAWING	BLR		MATERIAL		APPD BY GK 09-29-1999
REV	DATE	CHANGE	NAME	PART NAME CONNECTION DIAGRAM			DRWG NO A-102006-51-LN

PURCHASED

CADD FILE NO.

102006-51-LN