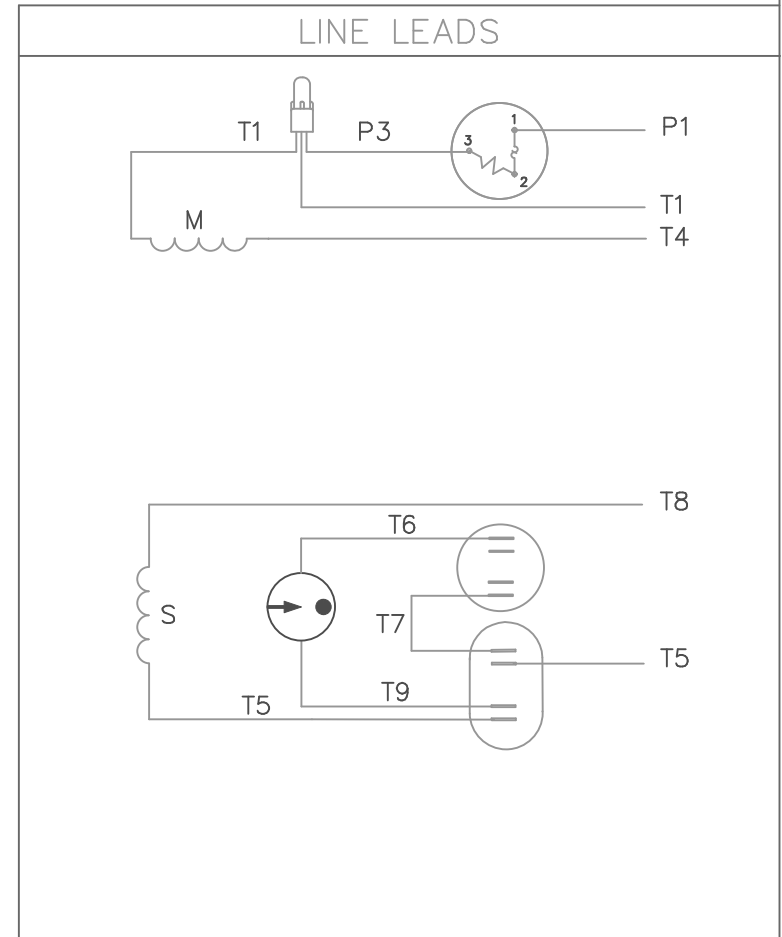
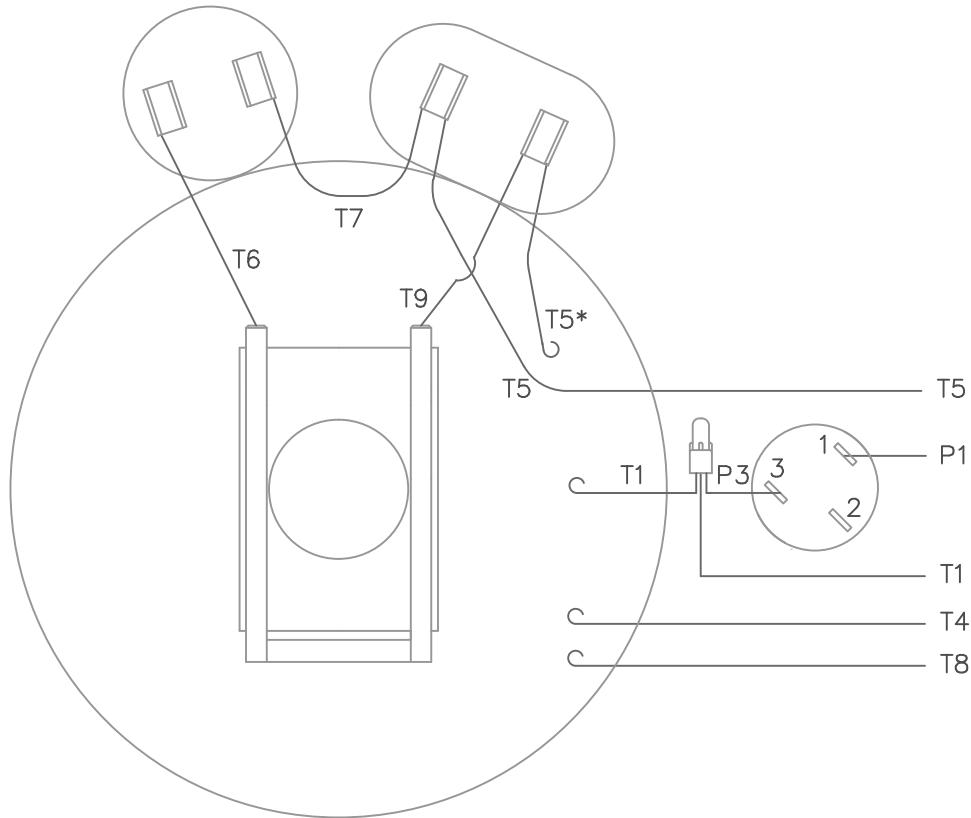


VIEW FROM OUTSIDE OF MOTOR AT SWITCH END.



ROTATION FACING LEAD END	L1	L2	JOIN
C.C.W.	P1	T4, T5	T1, T8
C.W.	P1	T4, T8	T1, T5

* THIS LEAD MAY BE WHITE

				TOLERANCES UNLESS SPECIFIED			DRAWN WLW 08/30/76	
				DEC.	INCHES		CHK WRK 09/24/76	
				.X	±.1		APPD	
				.XX	±.01		SCALE 1=1	
				.XXX	±.005		REF	
				.XXXX	±.0005	MAT'L. DECAL - 004015		
NO.	REVISION	BY & DATE	CHK	ANG	±1/2'	FINISH	FMF 6K17FB4	
				RFP		CAD FILE	00505603LN	SIZE
				DIST	BRF-NLV			DRAWING NO.
								005056-03LN
								REV.

THIS DRAWING IN DESIGN AND DETAIL IS OUR PROPERTY AND MUST NOT BE USED EXCEPT IN CONNECTION WITH OUR WORK ALL RIGHTS OF DESIGN AND INVENTION ARE RESERVED THIS IS AN ELECTRONICALLY GENERATED DOCUMENT - DO NOT SCALE THIS PRINT