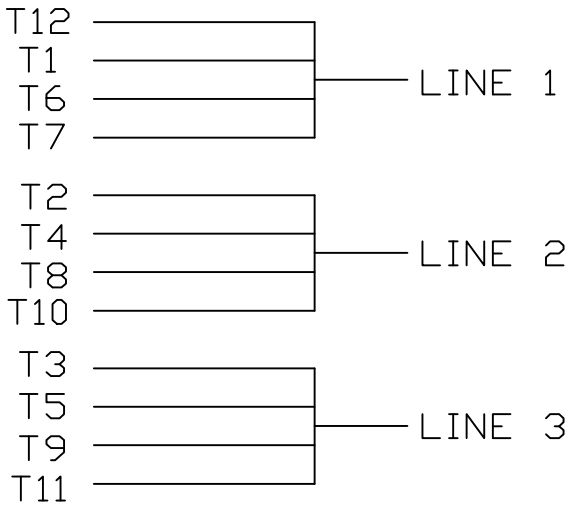
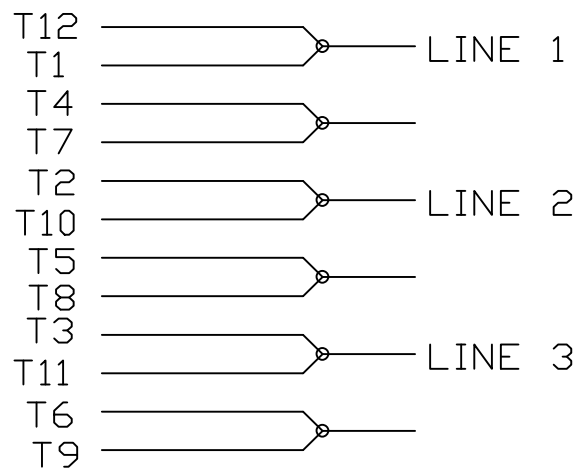


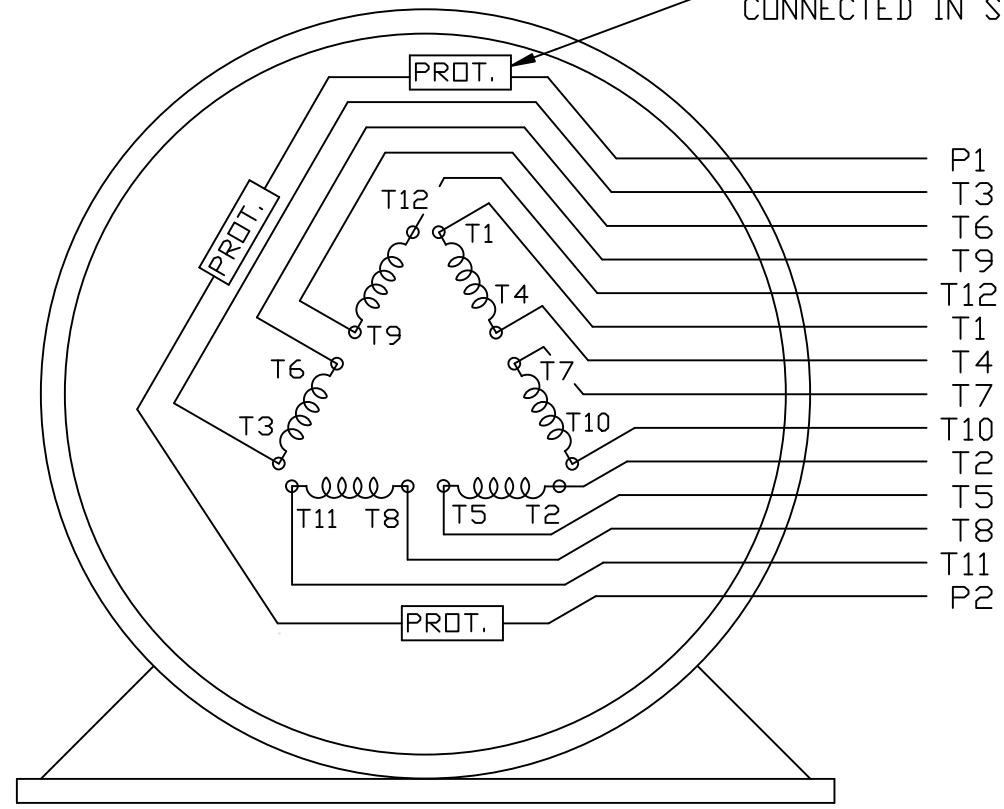
LOW VOLTAGE



HIGH VOLTAGE



THERMO - PROTECTORS
CONNECTED IN SERIES.



VIEW OF TERMINAL END

					✓ UNLESS OTHERWISE SPECIFIED DIMENSIONS ARE IN INCHES TOL. ON XX± XXX± XXXX± ANGLES±				
2	08/17/2011	REMOVED NOTE '12 LEADS SINGLE VOLTAGE'	MU103768		RFH	MAX. SURFACE ROUGHNESS UNLESS OTHERWISE NOTED		DRAWN BY KL	12-11-2000
1	12-11-2000	NEW DRAWING	MU34925		KL	FINISH		CHKD BY DJK	12-11-2000
REV	DATE	CHANGE			NAME	MATERIAL		APPD BY DJK	12-11-2000
					PART NAME EXTERNAL CONNECTION DIAGRAM 3 PHASE - 2/1 DELTA - 12 LEADS				
					PURCHASED		CADD FILE NO.		EE7308BZ-LN