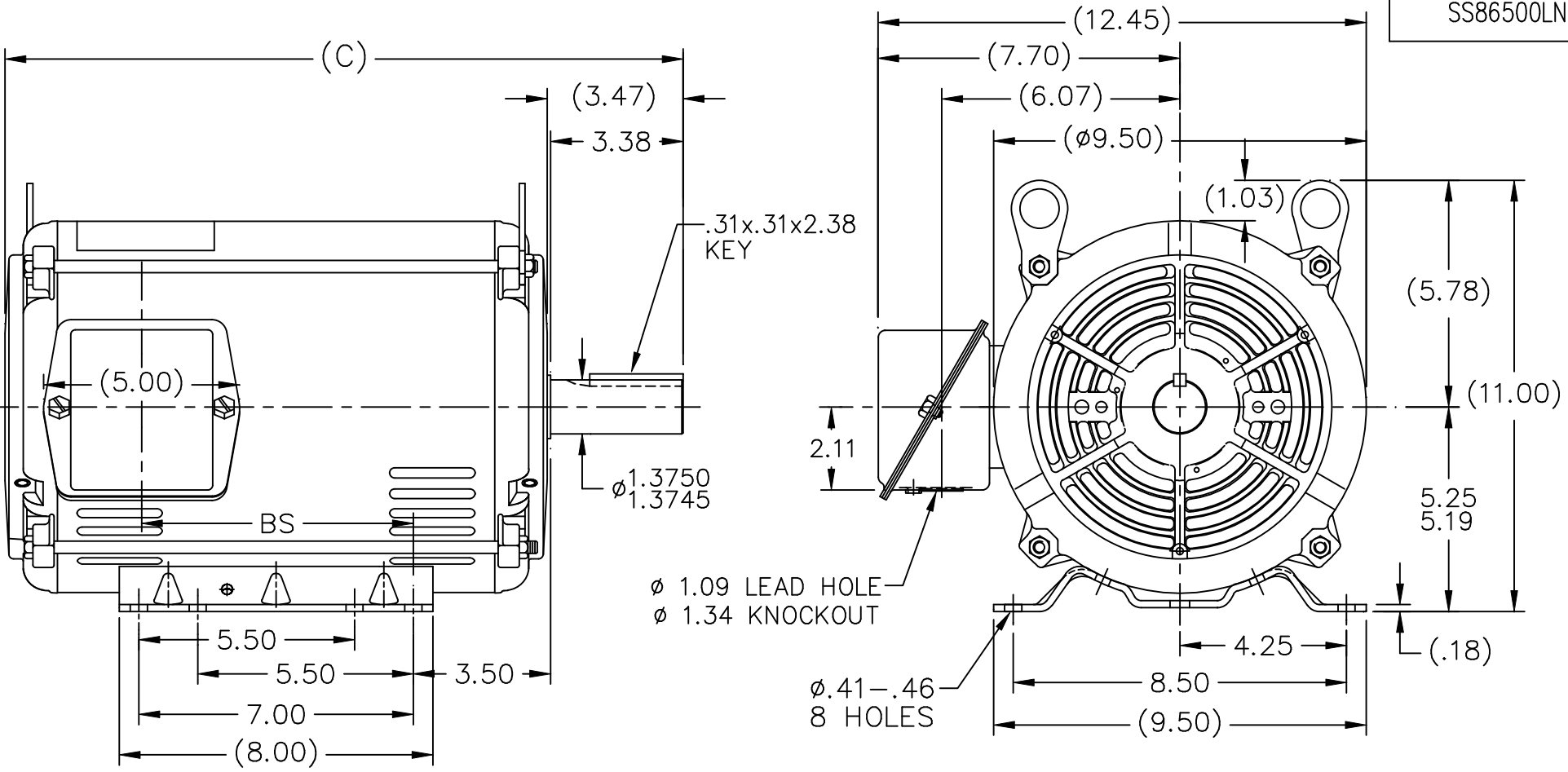



SS86500LN



- NOTES:
1. NAMEPLATE TO BE READ FROM C'BOX SIDE OF MOTOR.
 2. BOX CAN BE MOUNTED IN 90° STEPS.
 3. BOX WILL BE AT OPPOSITE SIDES IN F2 MOUNTING.
 4. BOX CAN BE MOUNTED ON OPPOSITE SIDE BY REMOVING BRACKETS AND TURNING FRAME 180°. (EXCEPT AS NOTED.)

DASH	FR.	C	BS	MOUNTING
965	213T	15.79	5.43	
1115	213/15T	17.29	6.93	
1240	213/15T	18.54	8.18	F1 ONLY

			TOLERANCES UNLESS SPECIFIED			DRAWN TRB 07-14-1999	
NO.	REVISION	BY & DATE	CHK	ANG		SCALE	1=4
5	REISSUE - REVISED BORDER TO LINCOLN LOGO	MSG 11-04-2004	ML	DEC.	INCHES	CHK	ML 07-20-1999
4	REMOVED DASH 965 FROM SERIES CN38252	RWR 07-20-2004	ML	.X	±.1	APPD	GK 07-20-1999
3	UPDATED 'C' DIMS PER ACTUAL PARTS CN29200-320	CAV 04-11-2000	ML	.XX	±.03	TITLE OUTLINE	
2	UPDATED 'C'BOX GEOMETRY CN28425	DRS 01-25-2000	ML	.XXX	±.005	210T FRAME -BB -TS -DR.PR.	
1	NEW DRAWING	TRB 07-20-1999	ML	.XXXX	±.0005	MAT'L.	
						PREV	
THIS DRAWING IN DESIGN AND DETAIL IS OUR PROPERTY AND MUST NOT BE USED EXCEPT IN CONNECTION WITH OUR WORK ALL RIGHTS OF DESIGN AND INVENTION ARE RESERVED THIS IS AN ELECTRONICALLY GENERATED DOCUMENT - DO NOT SCALE THIS PRINT			RFP	CAD FILE ss86500ln		SIZE	DRAWING NO. PAGE 1 OF 1
			DIST LB			A	SS86500LN 5