

## MODEL LPAXDA- 5 DIGIT LARGE PAX DISPLAY FOR DUAL ANALOG INPUTS



- LARGE LED DISPLAY READABLE TO 70 FEET
- DUAL PROCESS SIGNAL INPUT MODULE
- ALARMS, ANALOG OUTPUT, AND COMMUNICATION
- CUSTOM UNITS LABEL WITH BACKLIGHT
- PROGRAMMABLE USER INPUTS
- PROGRAMMABLE FUNCTION KEYS
- UNIVERSAL AC/DC POWERED MODELS
- CRIMSON SOFTWARE FOR METER CONFIGURATION
- NEMA 4/IP65

### GENERAL DESCRIPTION

The LPAXDA Display is a versatile display that can increase productivity by offering the plant floor or production area a large visual display of their current status. With the use of a units label and backlighting, the display can be tailored to show the actual engineering unit, which further enhances the display. This LPAXDA display accepts various analog inputs through the use of input modules (MPAXDP) which allow the unit to adapt to most any application. The MPAXDP Modules offer the same features as our highly successful PAXDP Series Panel Meters. Additional plug-in option cards can add alarms, analog output, and communication/bus capabilities, making the LPAXDA a truly Intelligent Panel Meter.

### SAFETY SUMMARY

All safety regulations, local codes and instructions that appear in this and corresponding literature, or on equipment, must be observed to ensure personal safety and to prevent damage to either the instrument or equipment connected to it. If equipment is used in a manner not specified by the manufacturer, the protection provided by the equipment may be impaired.

The protective conductor terminal is bonded to conductive parts of the equipment for safety purposes and must be connected to an external protective earthing system.



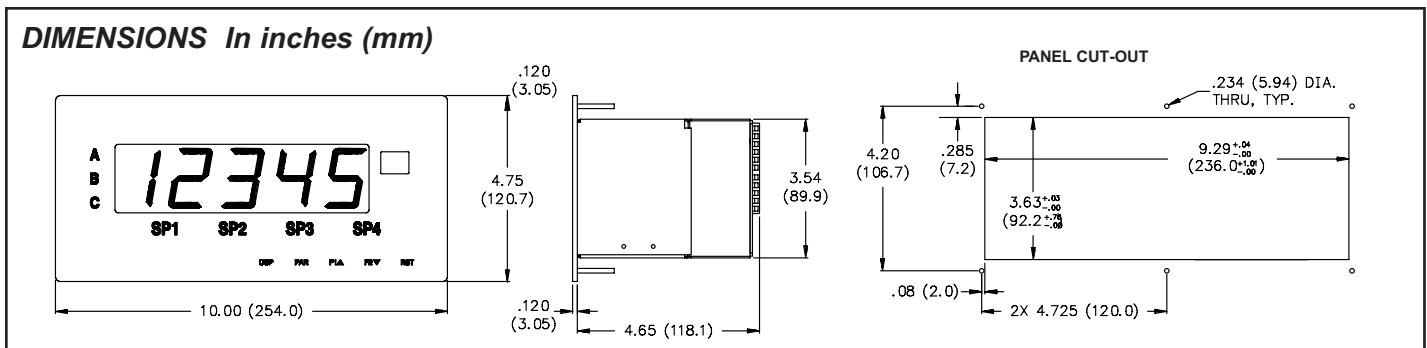
**CAUTION:** Read complete instructions prior to installation and operation of the unit.

**CAUTION:** Risk of electric shock.

### SPECIFICATIONS

*Additional specifications, wiring, programming, and information for the individual MPAX models are contained in the corresponding standard PAX literature. This PAX literature is shipped with the ordered MPAX model.*

- DISPLAY:** 1.5" (38 mm) Red LED  
5-Digit: (-19999 to 99999)
  - POWER REQUIREMENTS:**  
AC Modules: 85 to 250 VAC, 50/60 Hz, 21 VA  
DC Modules: 18 to 36 VDC, 13 W or 24 VAC ±10%, 50/60 Hz, 16 VA
  - INPUT:** Accepts analog input modules, see "Selecting your display components."
  - ANNUNCIATORS:**  
LPAXDA00: A, B, C, SP1, SP2, SP3, and SP4  
Optional units label with backlight
  - KEYPAD:** Five tactile membrane switches integrated into the front panel
  - CERTIFICATIONS AND COMPLIANCES:**  
UL Recognized Component, File #E179259, UL3101-1, CSA 22.2 No. 1010-1  
Recognized to US and Canadian requirements under the Component Recognition Program of Underwriters Laboratories, Inc.  
UL Listed, File # E137808, UL508, CSA C22.2 No. 14-M95  
LISTED by Und. Lab. Inc. to U.S. and Canadian safety standards  
Type 4 Enclosure rating (Face only), UL50  
IECEE CB Scheme Test Certificate #UL/8843/UL  
CB Scheme Test Report #04ME11209-20041018  
Issued by Underwriters Laboratories, Inc.  
IEC 1010-1, EN 61010-1: Safety requirements for electrical equipment for measurement, control, and laboratory use, Part 1.  
IP65 Enclosure rating (Face only), IEC 529
- ELECTROMAGNETIC COMPATIBILITY**  
EMC specifications determined by the MPAX module.



## 7. ENVIRONMENTAL CONDITIONS:

Operating Temperature Range: Determined by the MPAX module  
Storage Temperature Range: -40 to 60°C  
Operating and Storage Humidity: 0 to 85% max. RH (non-condensing)  
Altitude: Up to 2000 meters

## 8. MOUNTING REQUIREMENTS:

Max. panel thickness is 0.375" (9.5 mm)  
Min. panel thickness for NEMA 4/IP65 sealing is 0.060" (1.57 mm)

## 9. MODULE INSTALLATION:

24-pin shrouded connector on LPAX engages connector on MPAX module upon installation. Shroud ensures proper alignment by providing a lead-in for the module connector.

10. **CONNECTIONS:** All wiring connections are made to the MPAX module via high compression cage-clamp terminal blocks. Wiring instructions are provided with the MPAX module.



**CAUTION: DISCONNECT ALL POWER BEFORE INSTALLING OR REMOVING MODULE**

11. **CONSTRUCTION:** Steel front panel, enclosure, and rear cover with textured black polyurethane paint for scratch and corrosion resistance protection. Sealed front panel meets NEMA 4/IP65 specifications for indoor use when properly installed. Installation Category II, Pollution Degree 2. Panel gasket and keps nuts included.

12. **WEIGHT:** 2.7 lbs (1.2 kg) (*less module*)

---

---

## About the MPAX Input Modules

The MPAX Module serves as the input to the LPAX Display. The MPAX module provides input scaling which allows the LPAX to display most any engineering unit. Once the MPAX is inserted into the LPAX, the unit has the same functions and capabilities of our PAX Series Intelligent Panel Meters. A full set of PAX programming instructions will be included with the MPAX Module.

*Note: The MPAX provides the operating power for the LPAX, therefore you must select either the AC or DC MPAX corresponding with your application and available power.*

## Selecting Your Display Components

To build a complete display unit, you will need an LPAXDP and an MPAXDP Input Module. The LPAX is only a display and will not operate without an MPAX Module. Please use the following chart to identify the appropriate MPAX Module (including supply power) and LPAX Display that will satisfy your application.

SIGNAL TYPE	INPUT RANGES	MPAX MODULES *		LPAX DISPLAY
		85-250 VAC	11 to 36 VDC/ 24 VAC	
Dual Process Inputs	0-20 mA or 0-10 VDC	MPAXDP00	MPAXDP10	LPAXDA00

\*For detailed Module specifications, see corresponding PAX literature. (i.e. For MPAXDP specifications, see the PAXDP literature)

---

---

## OPTIONAL PLUG-IN CARDS AND ACCESSORIES



**WARNING: Disconnect all power to the unit before installing Plug-in cards.**

### Adding Option Cards

The MPAX series meters can be fitted with up to three optional plug-in cards. However, only one card from each function type can be installed at a time. The function types include Setpoint Alarms (PAXCDS), Communications (PAXCDC), and Analog Output (PAXCDL). The cards can be installed initially or at a later date. Each optional plug-in card is shipped with installation and programming instructions.

### COMMUNICATION CARDS (PAXCDC)

A variety of communication protocols are available for the PAX and MPAX series. Only one of these cards can be installed at a time. When programming the unit via Crimson, a Windows® based program, the RS232 or RS485 Cards must be used.

PAXCDC1\* - RS485 Serial      PAXCDC4\* - Modbus  
PAXCDC2\* - RS232 Serial      PAXCDC50 - Profibus-DP  
PAXCDC30 - DeviceNet

\*Units available in various connector configurations.

### SETPOINT CARDS (PAXCDS)

The MPAX series has four setpoint alarm output plug-in cards. Only one of these cards can be installed at a time. (Logic state of the outputs can be reversed in the programming.) These plug-in cards include:

PAXCDS10 - Dual Relay, FORM-C, Normally open & closed  
PAXCDS20 - Quad Relay, FORM-A, Normally open only  
PAXCDS30 - Isolated quad sinking NPN open collector  
PAXCDS40 - Isolated quad sourcing PNP open collector

### LINEAR DC OUTPUT (PAXCDL)

Either a 0(4)-20 mA or 0-10 V retransmitted linear DC output is available from the analog output plug-in card. The programmable output low and high scaling can be based on the input, max, min, or total display value. Reverse slope output is possible by reversing the scaling point positions.

PAXCDL10 - Retransmitted Analog Output Card

### UNITS LABEL (LX)

The LPAX Display has an area on the front panel designed for a custom units label. The units label is applied directly to the panel in the embossed area. The units backlight is then turned on via programming.

Refer to the LPAX Accessories Bulletin for a list of available units labels.

### PROGRAMMING SOFTWARE

Crimson 2 (SFCRD2) is a Windows® based program for configuring and updating the firmware of the MPAXDP meter from a PC. Using Crimson 2 makes programming the MPAXDP meter easier and allows the user to save the MPAXDP database in a PC file for future use. Crimson is available as a free download from Red Lion's website, or it can be purchased on CD.

The first time Crimson 2 is run from the File menu, select "New" to display a dialog and select the MPAXDP. The screen will display icons that represent the various programming sections of the MPAXDP. Double-click on an icon to configure the programming parameters pertaining to the selection. Tool Tip help is available for each of the program parameters. A PAX serial plug-in card is required to program the meter using the software.

# 1.0 ASSEMBLING THE DISPLAY



**CAUTION:** The MPAX main circuit board and the option cards contain static sensitive components. Before handling the module or the cards, discharge static charges from your body by touching a grounded bare metal object. Handle the module by the rear plastic cover only, and the option cards by the board edges. Dirt, oil or other contaminants that contact the circuit boards or components can adversely affect circuit operation.



**WARNING:** Exposed line voltage exists on the MPAX main circuit board and the option cards. **DO NOT** apply power to the module OR load circuits until the module is properly installed in the LPAX case.



**NOTE:** All module and option card labels must be installed as shown for safety purposes.

Prior to installing the LPAX Display, it is recommended that the MPAX and any option cards be assembled first. This will allow you the opportunity to insure all the boards are fitted properly into their connectors.

## Installing the Option Cards

If your application requires option cards, they should be installed into the MPAX before it is installed into the LPAX Display. Refer to the literature enclosed with the option cards for installation instruction.

## Installing the MPAX

To install the MPAX Module, align the module with the opening in the LPAX case, as illustrated. The module must be oriented as shown, with terminal #1 toward the top of the LPAX case. Carefully slide the module into the LPAX case.

The LPAX and MPAX connectors will begin to engage about 1/4" from the bottom. At this point, apply a small amount of pressure to the rear of the MPAX module to fully engage the connection. Be sure the module fully snaps into the slots at the rear of the LPAX case. The display is ready for installation.

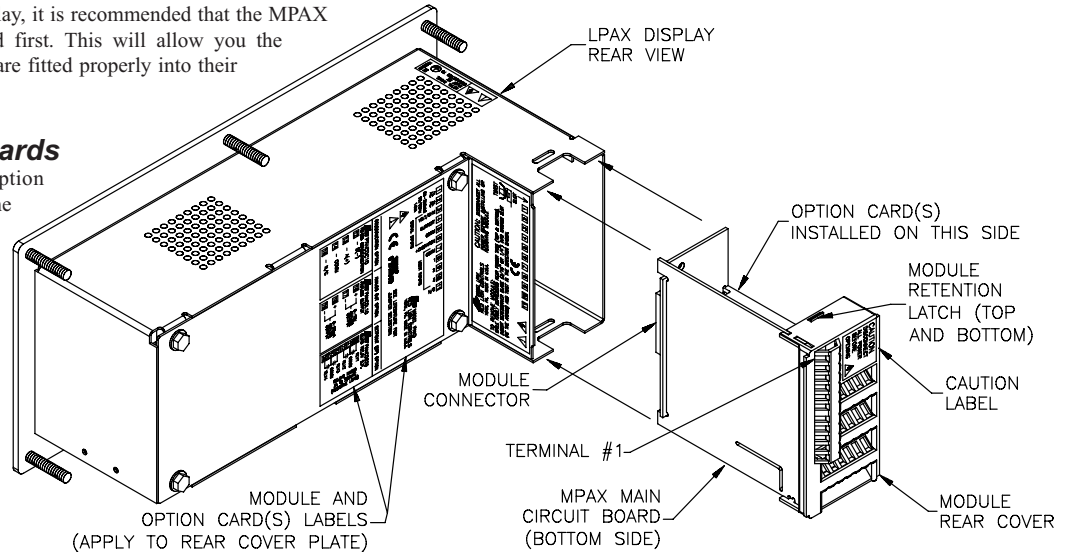


Figure 1, Installing an MPAX Module and Option Cards

## Installing the Labels

Each option card and the MPAX are shipped with a connection label. These labels must be applied to the rear of the LPAX in the positions shown in the drawing.

## Removing The MPAX Module

To remove the MPAX Module from the LPAX Display, first remove all power and load circuits. Then insert a flat screwdriver blade (3/16" or 1/4") into the narrow slot between the LPAX rear cover plate and the module's plastic cover as illustrated in Figure 2. Twist the screwdriver in the direction shown to disengage the internal connectors while firmly squeezing and pulling back on the rear finger tabs (top and bottom). Carefully slide the module out of the LPAX case, keeping it properly aligned with the case opening.

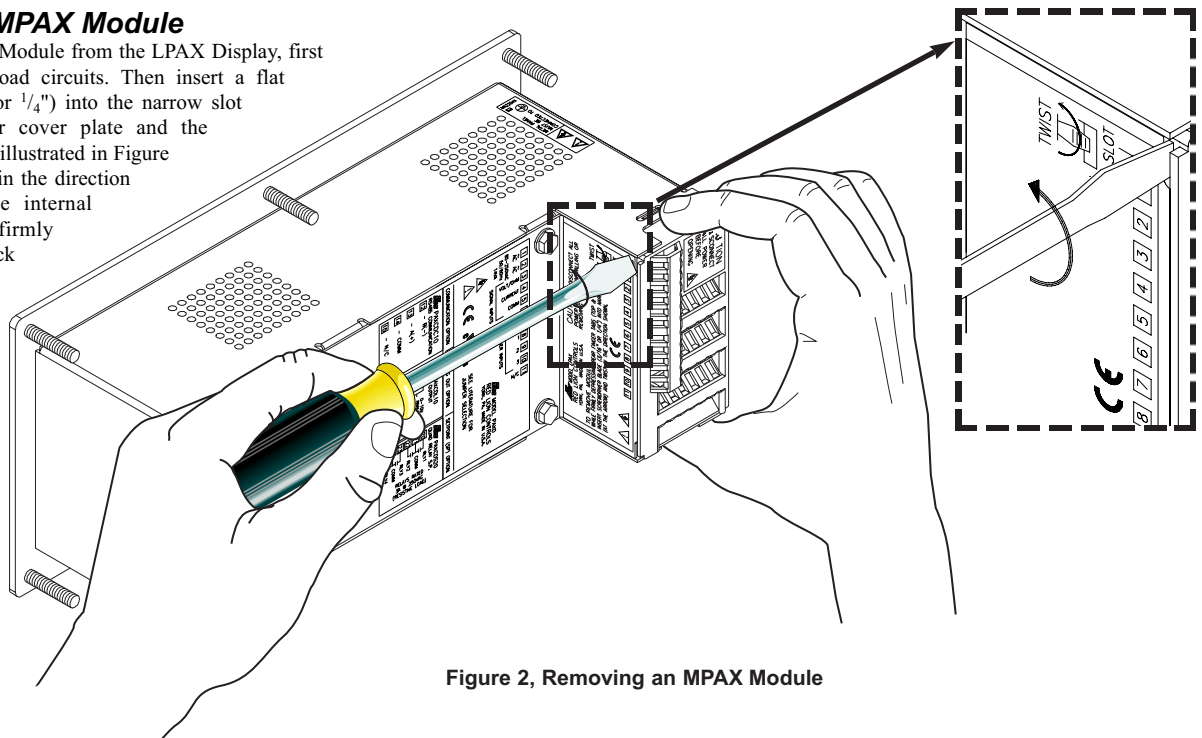


Figure 2, Removing an MPAX Module

## 2.0 INSTALLING THE DISPLAY

### LPAX DISPLAY INSTALLATION

The LPAX display is intended to be mounted into a panel or enclosure. The display is provided with a gasket to provide a water-tight seal. The recommended minimum panel thickness for NEMA 4/IP65 sealing is 0.060" (1.57 mm).

For panel mounting, prepare the panel cut-out to the dimensions shown. The supplied template may be used to mark the cut-out and hole locations on the panel. After the panel cut-out has been deburred, slide the panel gasket over the rear of the display and onto the mounting studs. Insert the display into the panel cut-out as illustrated in Figure 3. Install six # 10-32 keps nuts (supplied) and tighten evenly for uniform gasket compression. Do not over-tighten the nuts.

By using additional mounting accessories, the LPAX can be surface-wall mounted, suspended, or bottom mounted. Separate installation instructions are provided with the mounting accessories.

### Environment And Cleaning

The display should be installed in a location that does not exceed the maximum operating temperature and provides good air circulation. Placing the system near devices that generate excessive heat should be avoided.

The bezel should be cleaned only with a soft cloth and neutral soap product. Do NOT use solvents. Continuous exposure to direct sunlight may accelerate the aging process of the bezel.

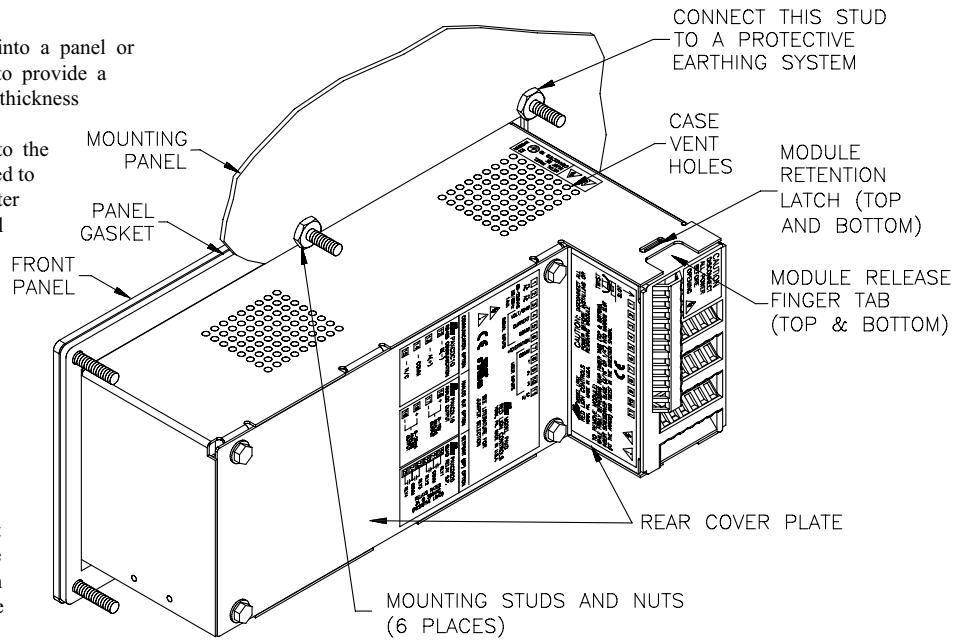


Figure 3, Installing The LPAX Into A Panel

## 3.0 WIRING AND PROGRAMMING THE DISPLAY

Once assembled, the LPAX and MPAX have all the same functions and capabilities of our PAX Series Intelligent Panel Meters. Therefore, you will find the appropriate PAX information packed with the MPAX Module. Simply follow the instructions to wire and program the display for your application.

### TROUBLESHOOTING

For technical assistance, contact technical support.

### ORDERING INFORMATION

TYPE	MODEL NO.	DESCRIPTION	PART NUMBERS
Display	LPAXDA	5-Digit, Large Display for Analog MPAXDP Modules	LPAXDA00
Analog Input Module	MPAXDP	Dual Process Input Module, AC Powered	MPAXDP00
		Dual Process Input Module, DC/24 VAC Powered	MPAXDP10
Optional Plug-In Cards	PAXCDS	Dual Setpoint Relay Output Card	PAXCDS10
		Quad Setpoint Relay Output Card	PAXCDS20
		Quad Setpoint Sinking Open Collector Output Card	PAXCDS30
		Quad Setpoint Sourcing Open Collector Output Card	PAXCDS40
	PAXCDC	RS485 Serial Communications Output Card with Terminal Block	PAXCDC10
		Extended RS485 Serial Communications Output Card with Dual RJ11 Connector	PAXCDC1C
		RS232 Serial Communications Output Card with Terminal Block	PAXCDC20
		Extended RS232 Serial Communications Output Card with 9 Pin D Connector	PAXCDC2C
		DeviceNet Communications Card	PAXCDC30
		Modbus Communications Card	PAXCDC40
	PAXCDL	Extended Modbus Communications Card with Dual RJ11 Connector	PAXCDC4C
Profibus-DP Communications Card		PAXCDC50	
Accessories	PAXCDL	Analog Output Card	PAXCDL10
	LX	Custom Units Label *	Listed Separately
	SFCRD2	PC Configuration Software for Windows 98, ME, 2000, XP	SFCRD200
	ENC9	NEMA 4 Enclosure for LPAX	ENC90000
	SHR	Shroud for LPAX	SHRLPAX0
	MB	Mounting Bracket for LPAX	MBLPAX00

\* See the LPAX Accessory Bulletin or our web site for available units labels.