

BALDOR® • RELIANCE 

Product Information Packet

LPL50

.5HP,3450RPM,1PH,60HZ,3520S,DENTAL LATHE

Part Detail							
Revision:	AY	Status:	PRD/A	Change #:		Proprietary:	No
Type:	AC	Elec. Spec:	L5WG0025	CD Diagram:	CD0337	Mfg Plant:	
Mech. Spec:	L35-282	Layout:	L5LY0282	Poles:	02	Created Date:	08-08-2007
Base:	RG	Eff. Date:	07-20-2018	Leads:	2#18		

Specs			
Nameplate Output:	.5		
Product Style:	BUFFER		

Nameplate NP3352L

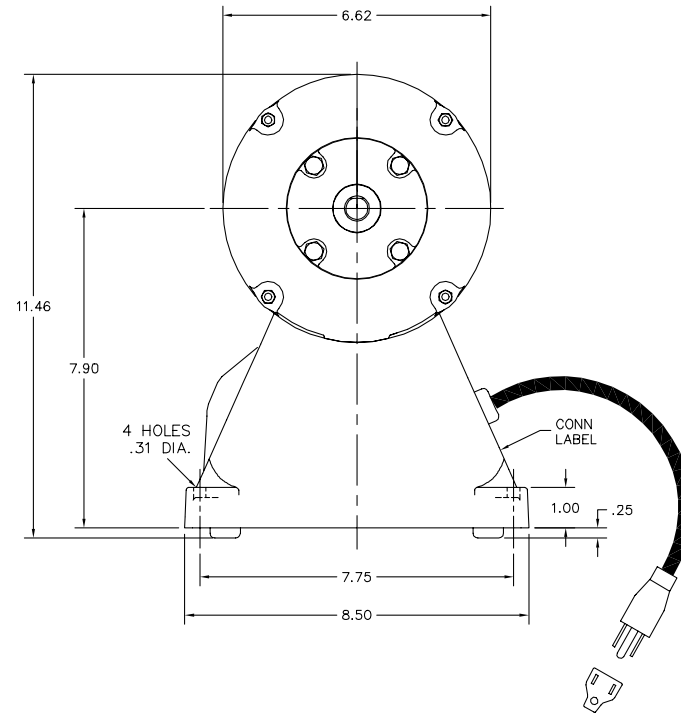
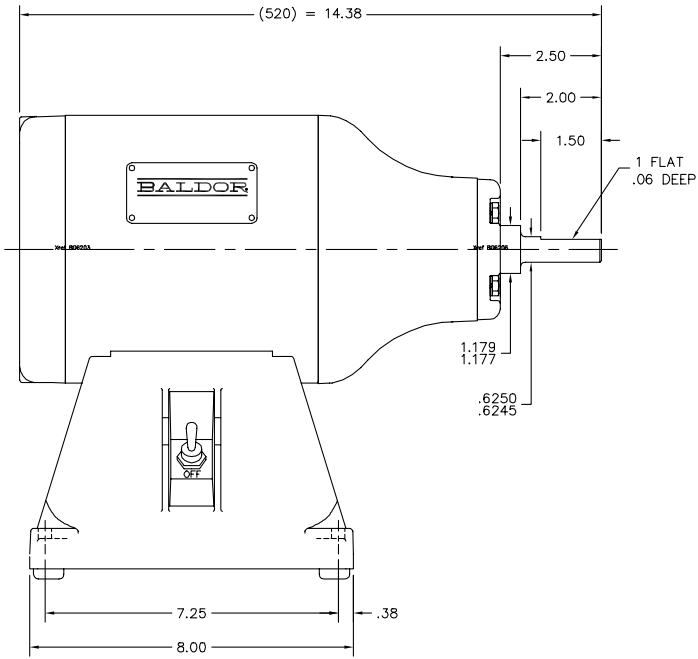
CAT.NO.	LPL50		
HP	.5	VOLTS	115
PHASE	1	AMPS	5.4
HZ	60	RPM	3450
SER.NO			
SPEC.	L35-282-25		
BLANK			

Parts List		
Part Number	Description	Quantity
SA037709	SA L35-282-25	1.000 EA
RA033734	RA L35-282-25	1.000 EA
G8BA3000	G8 & G10 BASE	1.000 EA
SP9000SP	80600BJ A-H OR 1520237-2 TYCO;2PST,125/2	1.000 EA
HW1003A50	LOCKWASHER,1/2",EXT.TOOTHZINC PLATED	1.000 EA
NS2514A01	INSULATOR, SWITCH	1.000 EA
11XW1032G06	10-32 X .38, TAPTITE II, HEX WSHR SLTD U	1.000 EA
HW3001B01	BRASS CUP WASHER, FOR #10 SCREW	1.000 EA
LD5001A02	CORD & PLUG ASSY 18-3 SJT .33 DIA. 10 AM	1.000 EA
WD4102A01	SR-6L-1 HEYCO STRN RELIEF OR 23MPO6L10 M	1.000 EA
35EP3122F00	MASTER ODE,203 BRG,#26 DRN	1.000 EA
51XW0832A07	8-32 X .44, TAPTITE II, HEX WSHR SLTD SE	2.000 EA
HW5100A03	WAVY WASHER (W1543-017)	1.000 EA
G8EP3900A01SP	ENDPLATE, MACH	1.000 EA
19XW2520A16	SCREW,1/4-20X1 TAPTITE-II OR ROLOC 91	4.000 EA
HA3100A28	THRUBOLT 10-32 X 8.187	4.000 EA
XY1032A02	10-32 HEX NUT DIRECTIONAL SERRATION	4.000 EA
G8CB4500A02	G8-272 BASE COVER,STPD X PLATED	1.000 EA
51XW0832A07	8-32 X .44, TAPTITE II, HEX WSHR SLTD SE	2.000 EA
RM1005A01SP	BUMPER- #2089 (R-R CO)	4.000 EA
15XF1032A10	10-32X5/8 PIN HD PHL TY FSEE JT	4.000 EA
19XX2520A14	SCREW,1/4-10X7/8 PLASTITEOBS USE 19XX251	4.000 EA
HW1000A25	1/4 SAE FLAT WASHER (FS)	4.000 EA
WD4006A01	WIRE JOINT,T&B RB-4 OR RB-44	1.000 EA

Parts List (continued)		
Part Number	Description	Quantity
MJ1000A02	GREASE, POLYREX EM EXXON (USe 4824-15A)	0.050 LB
HA1000A34	DR2463A .02 BRG GUARD B N	2.000 EA
MG1000G18	PAINT, 189-905 SILVER HAMR	0.017 GA
85XU0407A04	#4-7 X 1/4 DRIVE PIN	2.000 EA
LB1009N	LABEL,ROTATION DIRECTION (ON ROLLS)	1.000 EA
LB1091	LABEL, WARNING BUFFERS	1.000 EA
LB1119N	WARNING LABEL	1.000 EA
NP3352L	ALUM NAMEPLATE - BALDOR BUFFER NO LOGOS	1.000 EA
SP5055A55	MODEL 35 TYPE S STATIONARY SWITCH WITH L	1.000 EA
36PA1001	PKG GRP, PRINT PK1017A06	1.000 EA
MN906	Baldor Buffer 6/13	1.000 EA
FE-0000001	ZRTG FE ASSEMBLY	1.000 EA

No performance data has been
assigned to this product.

L5LY0282



L5LY0282

CUSTOMER IS RESPONSIBLE FOR DETERMINING THAT BALDOR'S PRODUCT WILL PERFORM SUITABLY IN THE INTENDED APPLICATION.

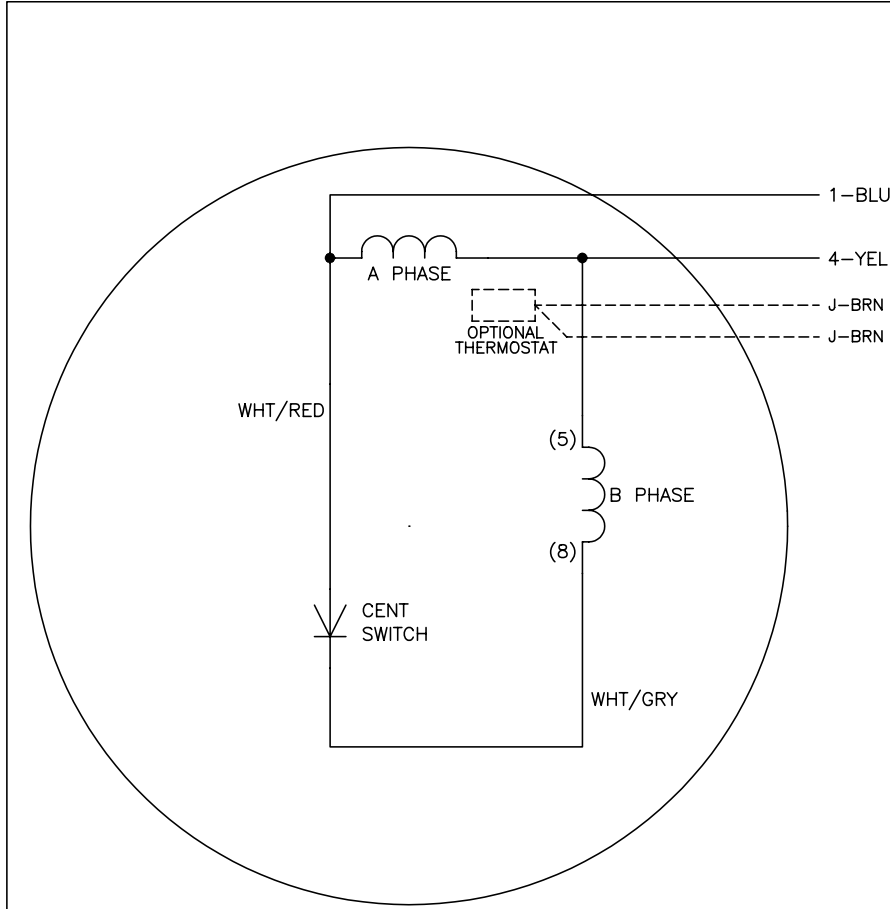
REV. DESC: REPLACE ENDPLATES	VERSION: 03	TDR: 000001064040
REV. LTR: G	REVISED: 11:25:00 03/22/2018	BY: USJOBUR22
FILE: \AAA\00064\330		
MTL: -		

BALDOR - RELIANCE®

SPL 8" DENTAL LATHE TENV MODEL 520S

SH 1 of 1

CD0337



LINE A	LINE B
1	4

NOTES:

1. CONNECTIONS ARE SHOWN FOR CCW ROTATION FACING END OPPOSITE SHAFT EXTENSION (STD). FOR CW ROTATION, INTERCHANGE 5 AND 8 INTERNALLY.
2. OPTIONAL THERMOSTAT IS PROVIDED WHEN SPECIFIED.
3. LEAD COLORS ARE OPTIONAL. LEADS MUST ALWAYS BE NUMBERED AS SHOWN.

REV. DESC: ADD OPTIONAL LEAD COLORS			
REV. LTR: F	BY: JLP	REVISED: 11/15/00 10:25	TDR: 0225139
CD0337		FILE: AAA00007587	REF: -
		MTL: -	

BALDOR ELECTRIC Co.

TYPE S, SV, FIX, 2 LEAD

CD0337