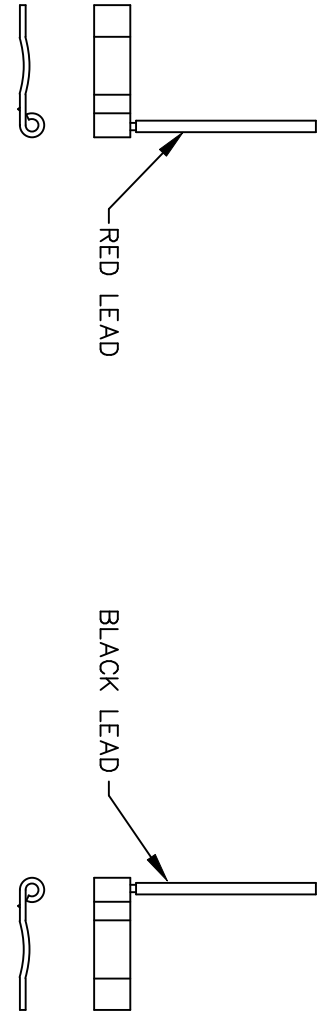
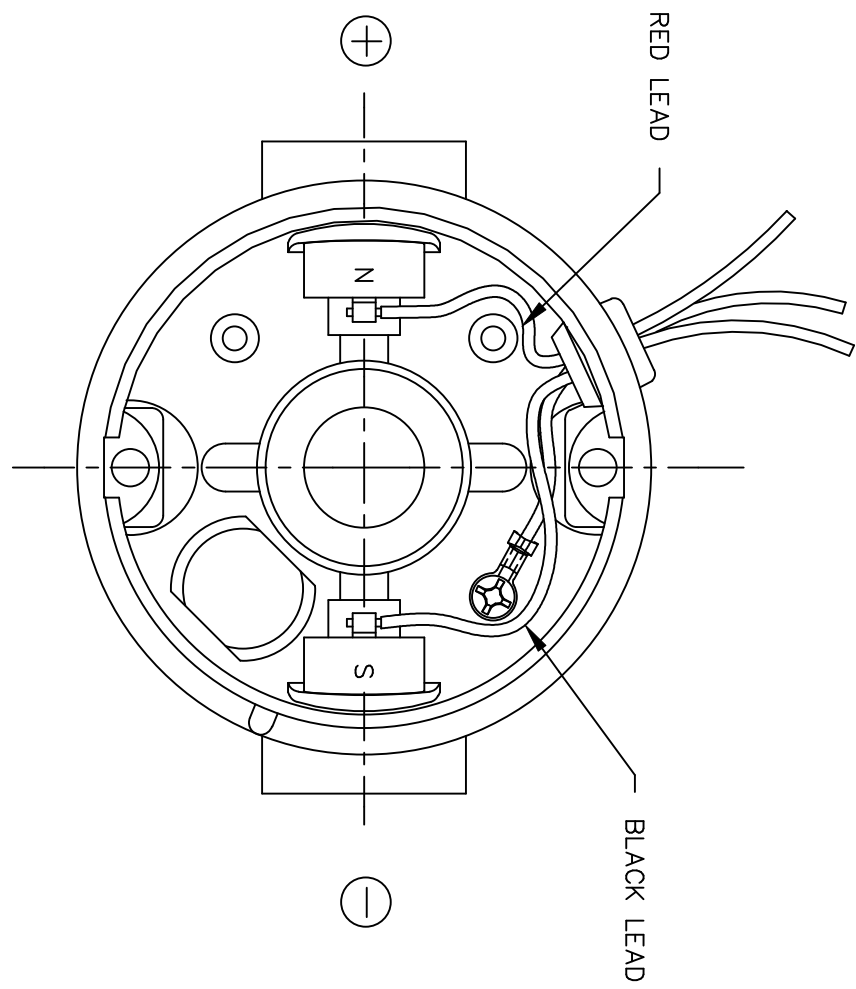



D.C. MOTORS



EXTERNAL CONNECTIONS FOR CW ROTATION  
 VIEWING LEAD END OF MOTOR WITH RED LEAD  
 POSITIVE (+) AND BLACK LEAD NEGATIVE (-)  
 FOR CCW ROTATION REVERSE POLARITY

				TOLERANCES UNLESS SPECIFIED		 ELECTRIC MOTORS GEARMOTORS AND DRIVES	DRAWN RWS 3/15/05 CHK RPB 3/15/05 APPD			
				DEC.	INCHES		TITLE	SCALE 1=1		
				.X	±.1		CONNECTION DIAGRAM	REF 901.706		
				.XX	±.01			MAT'L.	FMF	
				.XXX	±.005			FINISH	PREV	
00	RELEASED COMM CONVERSION PROJECT	RWS 4/13/05	RPB	.XXXX	±.0005	CAD FILE	M100530201	SIZE	DRAWING NO.	REV.
NO.	REVISION	BY & DATE	CHK	ANG	±1/2"	DIST		A	M1005302.01	00

THIS DRAWING IN DESIGN AND DETAIL IS OUR PROPERTY AND MUST NOT BE USED EXCEPT IN CONNECTION WITH OUR WORK ALL RIGHTS OF DESIGN AND INVENTION ARE RESERVED THIS IS AN ELECTRONICALLY GENERATED DOCUMENT - DO NOT SCALE THIS PRINT