

BALDOR® • RELIANCE 

Product Information Packet

M1222T

2/.89HP,1725/1140RPM,3PH,60HZ,182T,3628M

Part Detail							
Revision:	W	Status:	PRD/A	Change #:		Proprietary:	No
Type:	AC	Elec. Spec:	36WG3120	CD Diagram:	CD0013	Mfg Plant:	
Mech. Spec:	36B001	Layout:	36LYB001	Poles:	04/06	Created Date:	
Base:	RG	Eff. Date:	01-19-2017	Leads:	6#16		

Specs			
Catalog Number:	M1222T	Insulation Class:	F
Enclosure:	OPEN	Inverter Code:	Not Inverter
Frame:	182T	KVA Code:	F
Frame Material:	Steel	Lifting Lugs:	No Lifting Lugs
Output @ Frequency:	2.000 HP @ 60 HZ	Locked Bearing Indicator:	No Locked Bearing
	.890 HP @ 60 HZ	Motor Lead Quantity/Wire Size:	6 @ 16 AWG
Synchronous Speed @ Frequency:	1200 RPM @ 60 HZ	Motor Lead Exit:	Ko Box
Voltage @ Frequency:	460.0 V @ 60 HZ	Motor Lead Termination:	Flying Leads
XP Class and Group:	None	Motor Type:	3628M
XP Division:	Not Applicable	Mounting Arrangement:	F1
Agency Approvals:	UR	Product Family:	General Purpose
	CSA	Pulley End Bearing Type:	Ball
Auxillary Box:	No Auxillary Box	Pulley Face Code:	Standard
Auxillary Box Lead Termination:	None	Pulley Shaft Indicator:	Standard
Base Indicator:	Rigid	Rodent Screen:	None
Bearing Grease Type:	Polyrex EM (-20F +300F)	Shaft Extension Location:	Pulley End
Blower:	None	Shaft Ground Indicator:	No Shaft Grounding
Current @ Voltage:	3.000 A @ 460.0 V	Shaft Rotation:	Reversible

Design Code:	B	Shaft Slinger Indicator:	No Slinger
Drip Cover:	No Drip Cover	Speed Code:	2S-2W-VT
Duty Rating:	CONT	Motor Standards:	NEMA
Electrically Isolated Bearing:	Not Electrically Isolated	Starting Method:	Direct on line
Feedback Device:	NO FEEDBACK	Thermal Device - Bearing:	NONE (OLD)
Front Face Code:	Standard	Thermal Device - Winding:	None
Front Shaft Indicator:	None	Vibration Sensor Indicator:	No Vibration Sensor
Heater Indicator:	No Heater	Winding Thermal 1:	None
		Winding Thermal 2:	None

Nameplate NP1256L										
CAT.NO.	M1222T									
SPEC.	36B01-3120									
HP	2/.89									
VOLTS	460									
AMP	3/1.6									
RPM	1725/1140									
FRAME	182T				HZ	60			PH	3
SER.F.	1.15		CODE	F	DES	B		CLASS	F	
NEMA-NOM-EFF			PF							
RATING	40C AMB-CONT									
CC									USABLE AT 208V	
DE	6206				ODE	6205				
ENCL	OPEN		SN							

Parts List		
Part Number	Description	Quantity
SA034195	SA 36B01-3120	1.000 EA
RA030223	RA 36B01-3120	1.000 EA
36CB3004	36 CB CASTING W/1.09 DIA LEAD HOLE @ 6:0	1.000 EA
51XB1016A08	10-16X 1/2HXWSSLD SERTYB	2.000 EA
11XW1032G06	10-32 X .38, TAPTITE II, HEX WSHR SLTD U	1.000 EA
HW3001B01	BRASS CUP WASHER, FOR #10 SCREW	1.000 EA
36EP3200A01	FR ENDPLATE, ASSEMBLY FOR ROUTING	1.000 EA
HW4500A01	1641B(ALEMITE)400 UNIV, GREASE FITT	1.000 EA
HW5100A05	WVY WSHR F/205 & 304 BRGS	1.000 EA
36PE3201A01	PU ENDPLATE, ASSEMBLY FOR ROUTING	1.000 EA
HW4500A01	1641B(ALEMITE)400 UNIV, GREASE FITT	1.000 EA
XY2520A12	1/4-20 HEX NUT, DIRECTIONAL SERRATIONS	4.000 EA
36CB4516	36 LIPPED CB LID - GALVANNEAL	1.000 EA
51XW0832A07	8-32 X .44, TAPTITE II, HEX WSHR SLTD SE	4.000 EA
HW2501E16	KEY, 1/4 SQ X 1.750	1.000 EA
HA7000A02	KEY RETAINER RING, 1 1/8 DIA, 1 3/8 DIA	1.000 EA
85XU0407S04	4X1/4 U DRIVE PIN STAINLESS	2.000 EA
MJ1000A02	GREASE, POLYREX EM EXXON (USe 4824-15A)	0.050 LB
MG1000G27	MED CHARCOAL METALLIC GREY 400-0096	0.022 GA
HA3101A25	THRUBOLT 1/4-20 X 11.000 OHIO ROD	4.000 EA
LB1119N	WARNING LABEL	1.000 EA
LC0013	CONNECTION LABEL	1.000 EA
NP1256L	ALUM UL CSA CC INDUSTRIAL MOTOR A60	1.000 EA
36PA1000	PKG GRP, PRINT PK1016A06	1.000 EA

Parts List (continued)		
Part Number	Description	Quantity
MN416A01	TAG-INSTAL-MAINT no wire (1200/bx) 5/18	1.000 EA

Accessories		
Part Number	Description	Multiplier
36-3403	C FACE KIT	A8
36EP1405A09SP	D-FLANGE KIT	A8

AC Induction Motor Performance Data

Record # 61298 - Typical performance - not guaranteed values

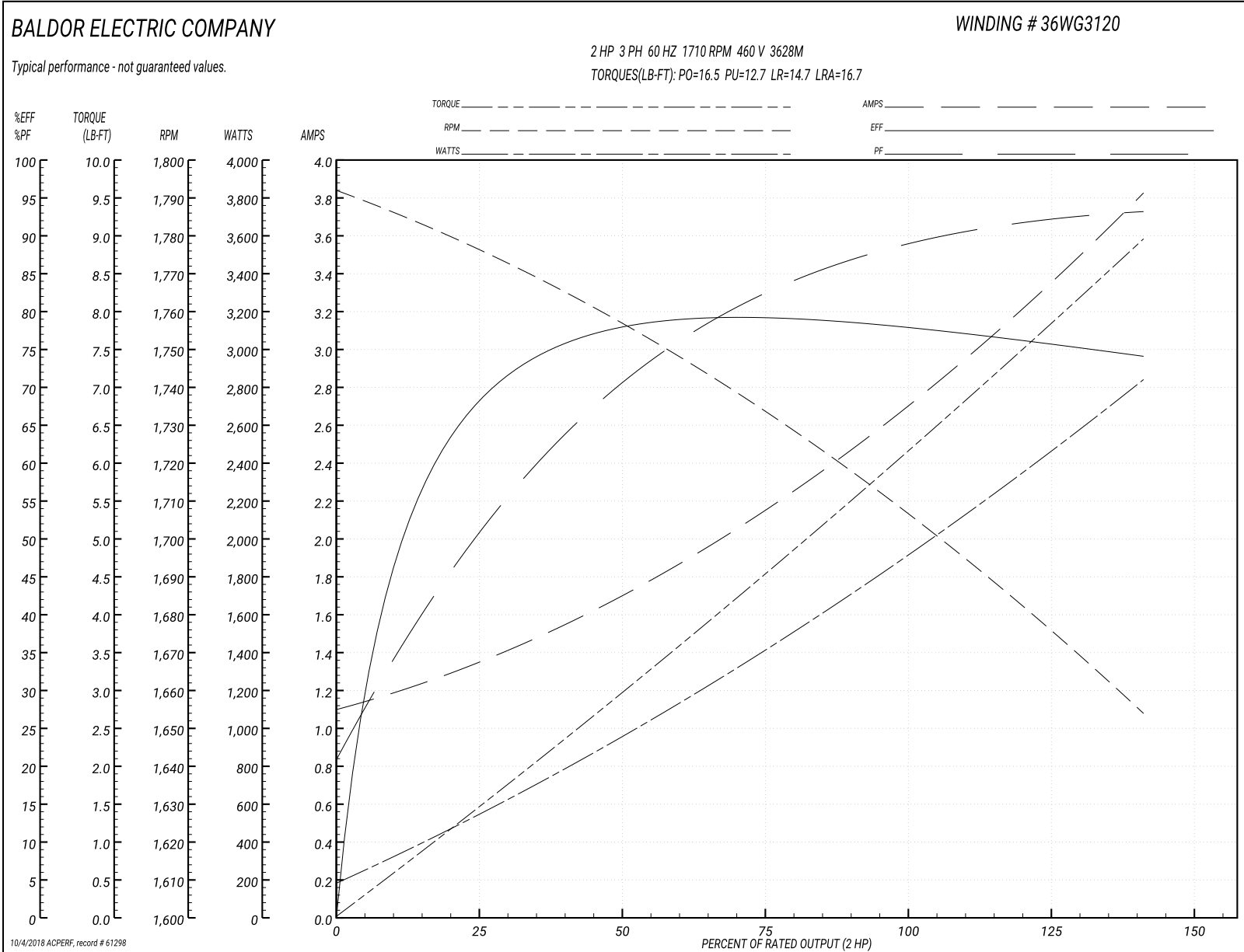
Winding: 36WG3120-R002	Type: 3628M	Enclosure: TEFC
-------------------------------	--------------------	------------------------

Nameplate Data				460 V, 60 Hz: High Speed Connection	
Rated Output (HP)	2/.89			Full Load Torque	6 LB-FT
Volts	460			Start Configuration	direct on line
Full Load Amps	3/1.6			Breakdown Torque	16.5 LB-FT
R.P.M.	1725/1140			Pull-up Torque	12.7 LB-FT
Hz	60	Phase	3	Locked-rotor Torque	14.7 LB-FT
NEMA Design Code	B	KVA Code	F	Starting Current	16.7 A
Service Factor (S.F.)	1.15			No-load Current	1.1 A
NEMA Nom. Eff.	0	Power Factor	0	Line-line Res. @ 25°C	14.3 Ω
Rating - Duty	40C AMB-CONT			Temp. Rise @ Rated Load	62°C
S.F. Amps				Temp. Rise @ S.F. Load	77°C
				Locked-rotor Power Factor	69.7
				Rotor inertia	0.263 LB-FT ²

Load Characteristics 460 V, 60 Hz, 2 HP

% of Rated Load	25	50	75	100	125	150	S.F.
Power Factor	52	67	85	87	95	92	92
Efficiency	69.6	77.5	78.4	78.1	77	73.7	77.4
Speed	1775	1750	1736	1710	1691	1647	1699
Line amperes	1.3	1.8	2.1	2.7	3.1	3.9	2.94

Performance Graph at 460V, 60Hz, 2.0HP Typical performance - Not guaranteed values



AC Induction Motor Performance Data

Record # 61299 - Typical performance - not guaranteed values

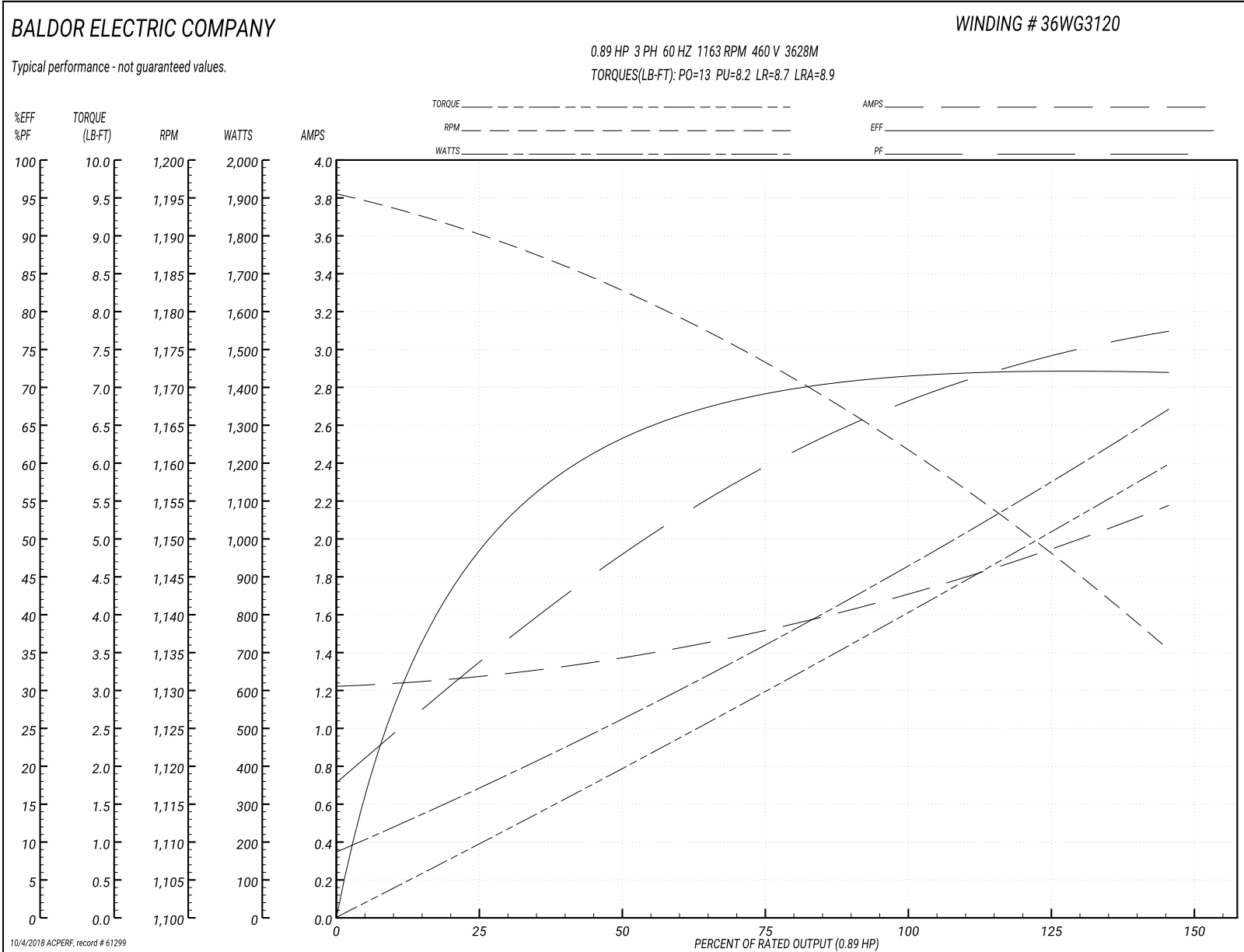
Winding: 36WG3120-R002	Type: 3628M	Enclosure: TEFC
-------------------------------	--------------------	------------------------

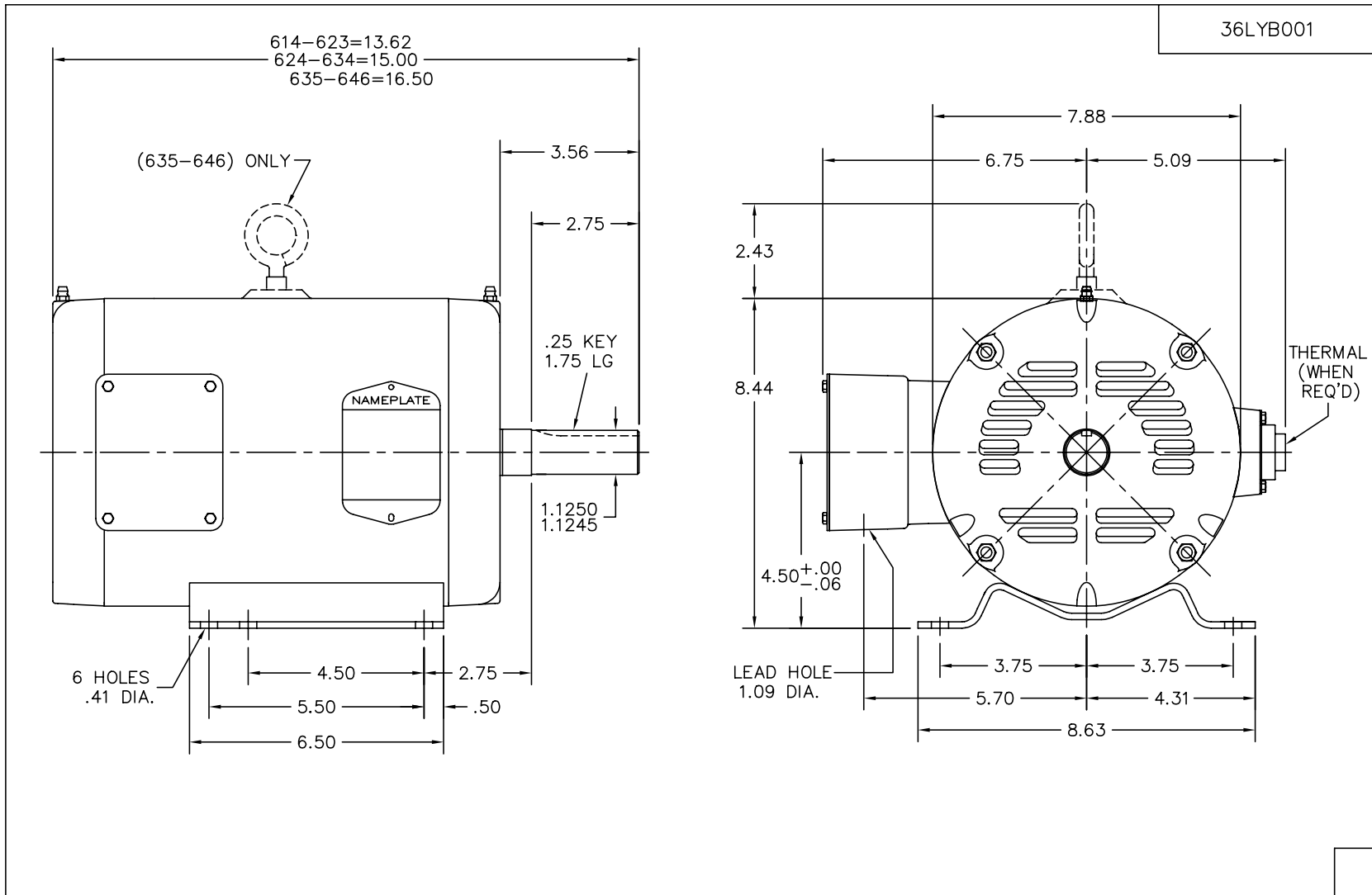
Nameplate Data				460 V, 60 Hz: Low Speed Connection	
Rated Output (HP)	2/.89			Full Load Torque	4 LB-FT
Volts	460			Start Configuration	direct on line
Full Load Amps	3/1.6			Breakdown Torque	13 LB-FT
R.P.M.	1725/1140			Pull-up Torque	8.2 LB-FT
Hz	60	Phase	3	Locked-rotor Torque	8.7 LB-FT
NEMA Design Code	B	KVA Code	F	Starting Current	8.9 A
Service Factor (S.F.)	1.15			No-load Current	1.2 A
NEMA Nom. Eff.	0	Power Factor	0	Line-line Res. @ 25°C	25.3 Ω
Rating - Duty	40C AMB-CONT			Temp. Rise @ Rated Load	47°C
S.F. Amps				Temp. Rise @ S.F. Load	53°C
				Locked-rotor Power Factor	68.7
				Rotor inertia	0.263 LB-FT ²

Load Characteristics 460 V, 60 Hz, 0.89 HP

% of Rated Load	25	50	75	100	125	150	S.F.
Power Factor	31	48	61	68	75	77	72
Efficiency	51.8	62.4	68.7	71.4	72.4	71.9	72
Speed	1190	1182	1172	1163	1151	1134	1156
Line amperes	1.3	1.4	1.5	1.7	1.9	2.2	1.82

Performance Graph at 460V, 60Hz, 0.89HP Typical performance - Not guaranteed values

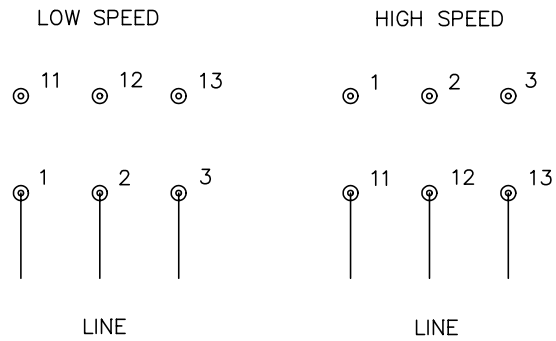
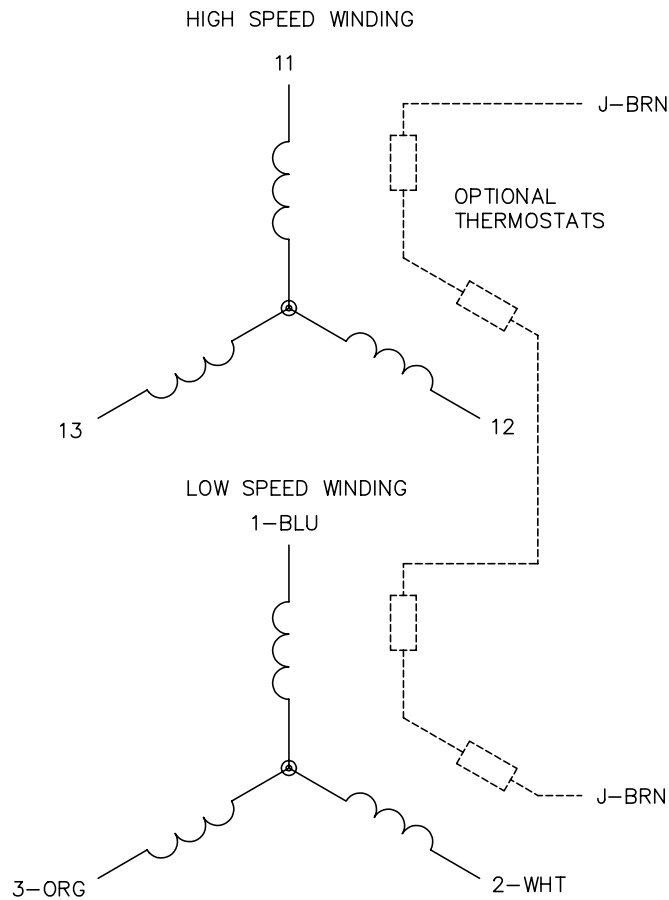




CUST. NAME		CUST. P.O.		CERTIFIED BY		MODEL		INSUL		AMB	
H.P.		MTG		TYPE		R.P.M.		VOLTS		ENCL	
PHASE		FREQ		FRAME		REV. DESC: CHG'D TO HAVE NEW NEC CONDUIT BOX					
REV. LTR: M	BY: JD	REVISED: 05/19/99 3:45			TDR: 0181963						
36LYB001		FILE: AAA00002559			MDL: -						
MTL: -		BALDOR ELECTRIC Co.									
		STANDARD HORZ NEMA 182-4T OPEN 36M									

36LYB001

CD0013



NOTES:

1. INTERCHANGE ANY TWO LINE LEADS TO REVERSE ROTATION.
2. OPTIONAL THERMOSTATS ARE PROVIDED WHEN SPECIFIED.
3. ACTUAL NUMBER OF INTERNAL PARALLEL CIRCUITS MAY VARY.
4. LEAD COLORS ARE OPTIONAL. LEADS MUST ALWAYS BE NUMBERED AS SHOWN.

REV. DESC: REVISE TO SHOW OPTIONAL COLORS			
REV. LTR: D	BY: JLP	REVISED: 01/22/99 8:50	TDR: 0171435
Ω10003		FILE: AAA00005143	MDL: -
		MTL: -	

BALDOR ELECTRIC Co.

3PH, SV, 6 LEADS, 2-SPEED 2-WINDING

CD0013