

**BALDOR® • RELIANCE** 

**Product Information Packet**

**M1223T**

**3/1.3HP, 1725/1140RPM, 3PH, 60HZ, 184T, 3634M**

Part Detail							
Revision:	W	Status:	PRD/A	Change #:		Proprietary:	No
Type:	AC	Elec. Spec:	36WGY048	CD Diagram:	CD0013	Mfg Plant:	
Mech. Spec:	36B001	Layout:	36LYB001	Poles:	04/06	Created Date:	
Base:	RG	Eff. Date:	01-19-2017	Leads:	6#16		

Specs			
Catalog Number:	M1223T	Insulation Class:	F
Enclosure:	OPEN	Inverter Code:	Not Inverter
Frame:	184T	KVA Code:	G
Frame Material:	Steel	Lifting Lugs:	No Lifting Lugs
Output @ Frequency:	3.000 HP @ 60 HZ	Locked Bearing Indicator:	No Locked Bearing
	1.300 HP @ 60 HZ	Motor Lead Quantity/Wire Size:	6 @ 16 AWG
Synchronous Speed @ Frequency:	1800 RPM @ 60 HZ	Motor Lead Exit:	Ko Box
Voltage @ Frequency:	460.0 V @ 60 HZ	Motor Lead Termination:	Flying Leads
XP Class and Group:	None	Motor Type:	3634M
XP Division:	Not Applicable	Mounting Arrangement:	F1
Agency Approvals:	UR	Product Family:	General Purpose
	CSA	Pulley End Bearing Type:	Ball
Auxillary Box:	No Auxillary Box	Pulley Face Code:	Standard
Auxillary Box Lead Termination:	None	Pulley Shaft Indicator:	Standard
Base Indicator:	Rigid	Rodent Screen:	None
Bearing Grease Type:	Polyrex EM (-20F +300F)	Shaft Extension Location:	Pulley End
Blower:	None	Shaft Ground Indicator:	No Shaft Grounding
Current @ Voltage:	4.000 A @ 460.0 V	Shaft Rotation:	Reversible

<b>Design Code:</b>	B	<b>Shaft Slinger Indicator:</b>	No Slinger
<b>Drip Cover:</b>	No Drip Cover	<b>Speed Code:</b>	2S-2W-VT
<b>Duty Rating:</b>	CONT	<b>Motor Standards:</b>	NEMA
<b>Electrically Isolated Bearing:</b>	Not Electrically Isolated	<b>Starting Method:</b>	Direct on line
<b>Feedback Device:</b>	NO FEEDBACK	<b>Thermal Device - Bearing:</b>	NONE (OLD)
<b>Front Face Code:</b>	Standard	<b>Thermal Device - Winding:</b>	None
<b>Front Shaft Indicator:</b>	None	<b>Vibration Sensor Indicator:</b>	No Vibration Sensor
<b>Heater Indicator:</b>	No Heater	<b>Winding Thermal 1:</b>	None
		<b>Winding Thermal 2:</b>	None

Nameplate NP1256L										
CAT.NO.	M1223T									
SPEC.	36B01Y48									
HP	3/1.3									
VOLTS	460									
AMP	4/2.6									
RPM	1725/1140									
FRAME	184T				HZ	60			PH	3
SER.F.	1.15		CODE	G	DES	B		CLASS	F	
NEMA-NOM-EFF			PF							
RATING	40C AMB-CONT									
CC									USABLE AT 208V	
DE	6206				ODE	6205				
ENCL	OPEN		SN							

Parts List		
Part Number	Description	Quantity
SA034238	SA 36B01Y48	1.000 EA
RA030266	RA 36B01Y48	1.000 EA
36CB3004	36 CB CASTING W/1.09 DIA LEAD HOLE @ 6:0	1.000 EA
51XB1016A08	10-16X 1/2HXWSSLD SERTYB	2.000 EA
11XW1032G06	10-32 X .38, TAPTITE II, HEX WSHR SLTD U	1.000 EA
HW3001B01	BRASS CUP WASHER, FOR #10 SCREW	1.000 EA
36EP3200A01	FR ENDPLATE, ASSEMBLY FOR ROUTING	1.000 EA
HW4500A01	1641B(ALEMITE)400 UNIV, GREASE FITT	1.000 EA
HW5100A05	WVY WSHR F/205 & 304 BRGS	1.000 EA
36PE3201A01	PU ENDPLATE, ASSEMBLY FOR ROUTING	1.000 EA
HW4500A01	1641B(ALEMITE)400 UNIV, GREASE FITT	1.000 EA
XY2520A12	1/4-20 HEX NUT, DIRECTIONAL SERRATIONS	4.000 EA
36CB4516	36 LIPPED CB LID - GALVANNEAL	1.000 EA
51XW0832A07	8-32 X .44, TAPTITE II, HEX WSHR SLTD SE	4.000 EA
HW2501E16	KEY, 1/4 SQ X 1.750	1.000 EA
HA7000A02	KEY RETAINER RING, 1 1/8 DIA, 1 3/8 DIA	1.000 EA
85XU0407S04	4X1/4 U DRIVE PIN STAINLESS	2.000 EA
MJ1000A02	GREASE, POLYREX EM EXXON (USe 4824-15A)	0.050 LB
MG1000G27	MED CHARCOAL METALLIC GREY 400-0096	0.022 GA
HA3101A25	THRUBOLT 1/4-20 X 11.000 OHIO ROD	4.000 EA
LB1119N	WARNING LABEL	1.000 EA
LC0013	CONNECTION LABEL	1.000 EA
NP1256L	ALUM UL CSA CC INDUSTRIAL MOTOR A60	1.000 EA
36PA1000	PKG GRP, PRINT PK1016A06	1.000 EA

<b>Parts List (continued)</b>		
<b>Part Number</b>	<b>Description</b>	<b>Quantity</b>
MN416A01	TAG-INSTAL-MAINT no wire (1200/bx) 5/18	1.000 EA

<b>Accessories</b>		
<b>Part Number</b>	<b>Description</b>	<b>Multiplier</b>
36-3403	C FACE KIT	A8
36EP1405A09SP	D-FLANGE KIT	A8

**AC Induction Motor Performance Data**

Record # 61406 - Typical performance - not guaranteed values

<b>Winding:</b> 36WGY048-R005	<b>Type:</b> 3634M	<b>Enclosure:</b> OPEN
-------------------------------	--------------------	------------------------

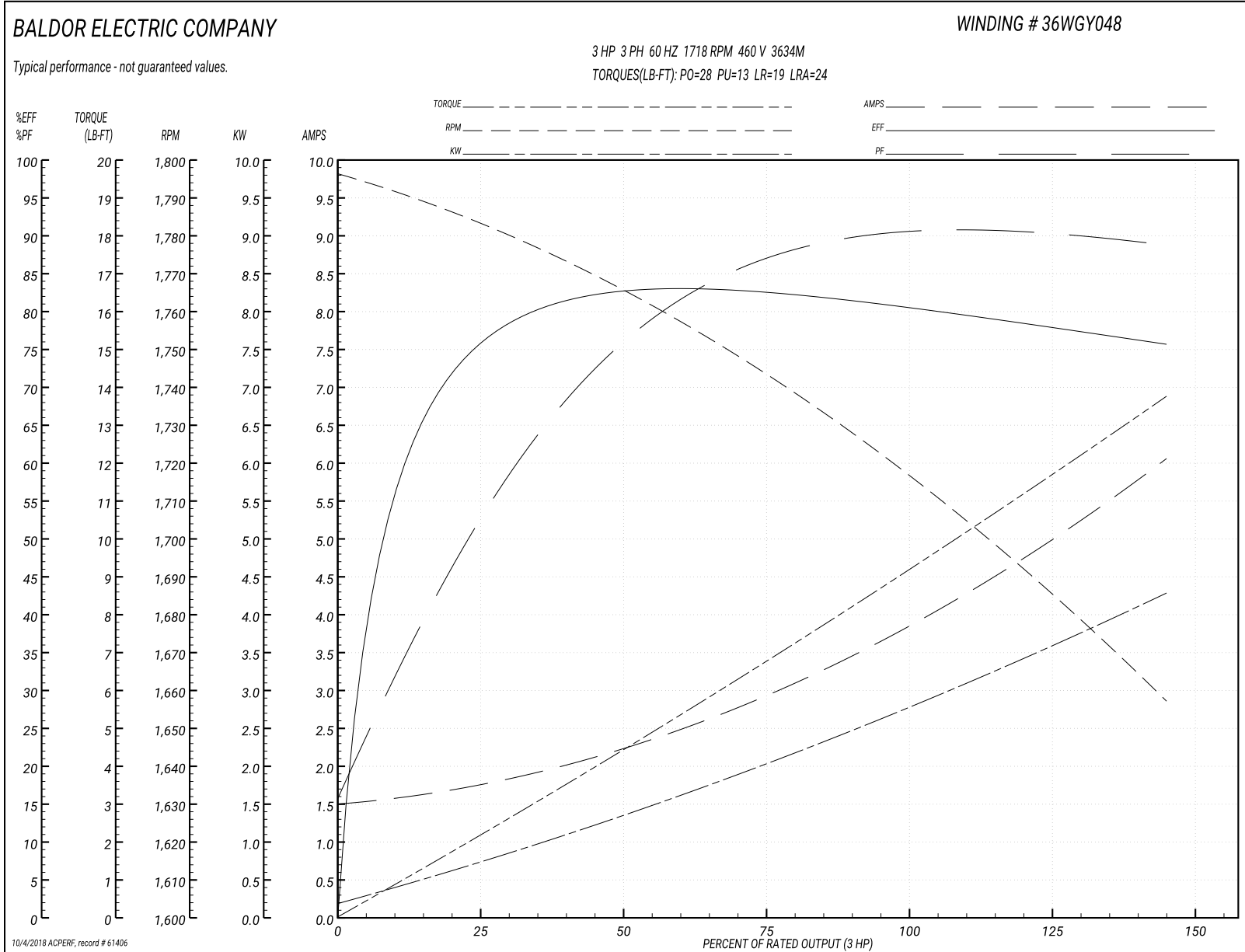
Nameplate Data				460 V, 60 Hz: High Voltage Connection	
Rated Output (HP)	3/1.3			Full Load Torque	9.2 LB-FT
Volts	460			Start Configuration	direct on line
Full Load Amps	4/2.6			Breakdown Torque	28 LB-FT
R.P.M.	1725/1140			Pull-up Torque	13 LB-FT
Hz	60	Phase	3	Locked-rotor Torque	19 LB-FT
NEMA Design Code	B	KVA Code	G	Starting Current	24 A
Service Factor (S.F.)	1.15			No-load Current	1.5 A
NEMA Nom. Eff.	0	Power Factor	0	Line-line Res. @ 25°C	9.82 Ω
Rating - Duty	40C AMB-CONT			Temp. Rise @ Rated Load	52°C
S.F. Amps				Temp. Rise @ S.F. Load	66°C
				Locked-rotor Power Factor	65.1
				Rotor inertia	0.319 LB-FT <sup>2</sup>

Load Characteristics 460 V, 60 Hz, 3 HP

% of Rated Load	25	50	75	100	125	150	S.F.
Power Factor	56	77	87	90	91	89	91
Efficiency	74.3	81.5	82.4	81.2	78.7	75.2	86.9
Speed	1781	1763	1742	1718	1690	1655	3384
Line amperes	1.75	2.3	3	3.85	4.85	6.1	16.9



Performance Graph at 460V, 60Hz, 3.0HP Typical performance - Not guaranteed values



**AC Induction Motor Performance Data**

Record # 61407 - Typical performance - not guaranteed values

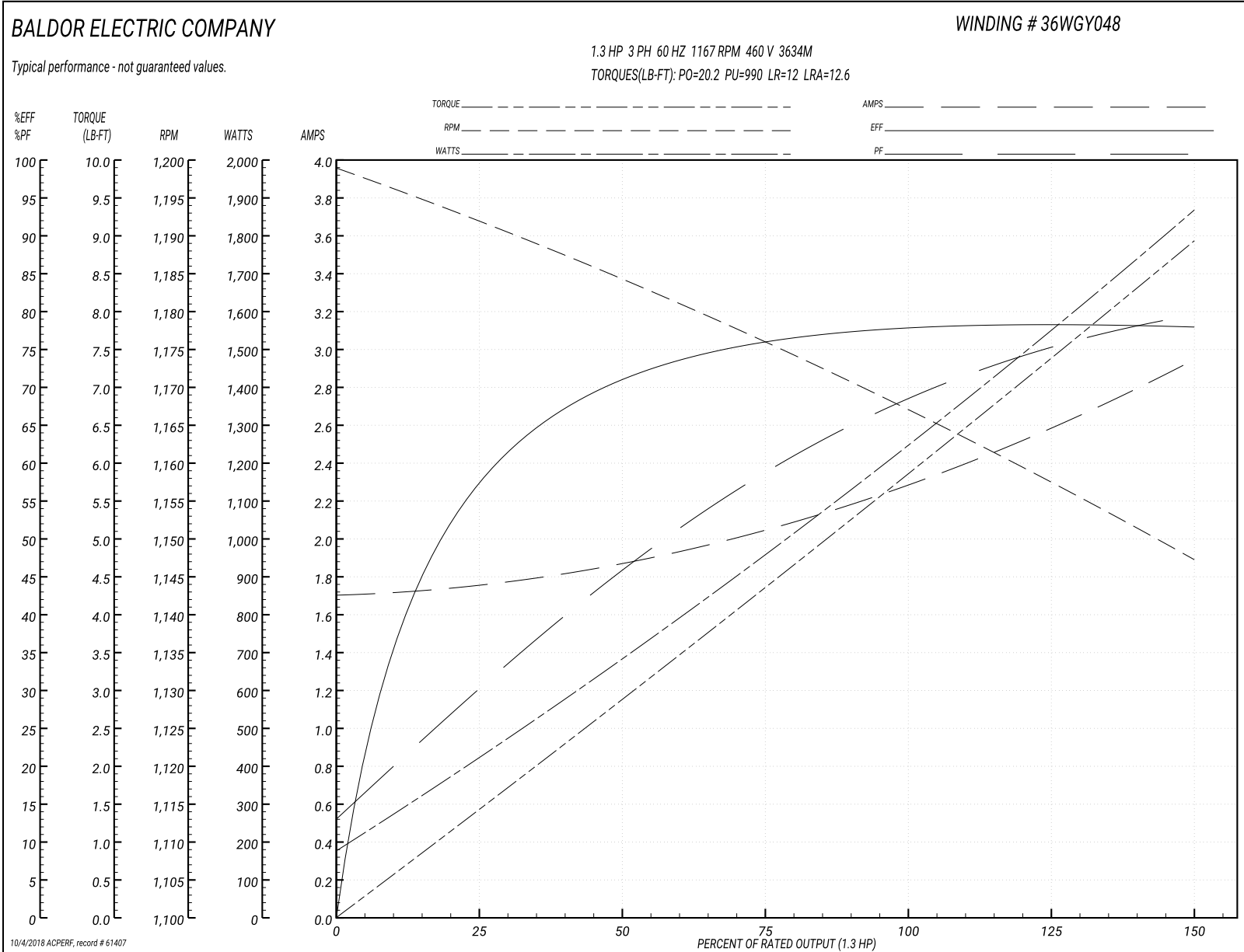
<b>Winding:</b> 36WGY048-R005	<b>Type:</b> 3634M	<b>Enclosure:</b> OPEN
-------------------------------	--------------------	------------------------

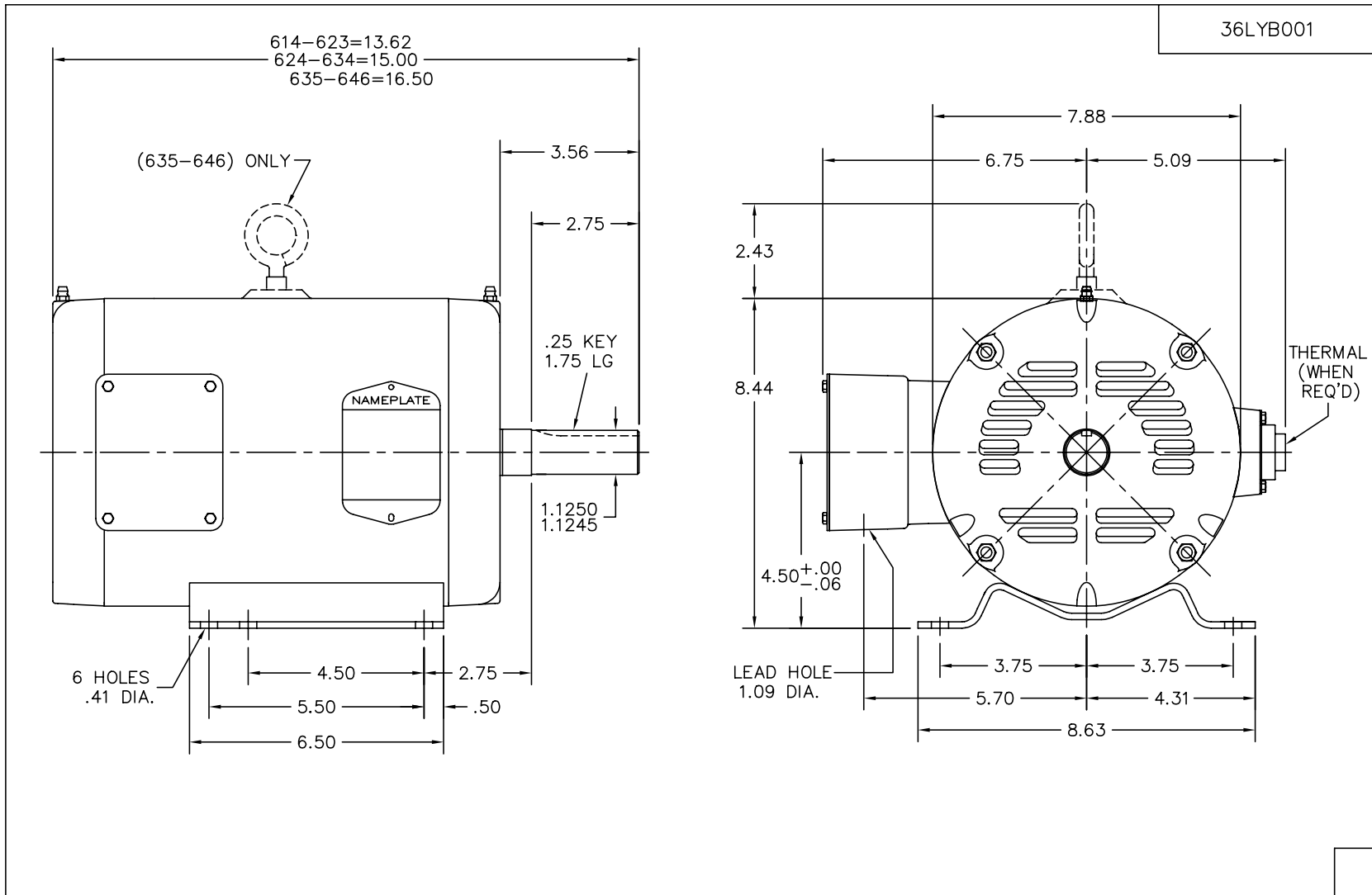
Nameplate Data				460 V, 60 Hz: Low Speed Connection	
Rated Output (HP)	3/1.3			Full Load Torque	5.86 LB-FT
Volts	460			Start Configuration	direct on line
Full Load Amps	4/2.6			Breakdown Torque	20.2 LB-FT
R.P.M.	1725/1140			Pull-up Torque	990 LB-FT
Hz	60	Phase	3	Locked-rotor Torque	12 LB-FT
NEMA Design Code	B	KVA Code	G	Starting Current	12.6 A
Service Factor (S.F.)	1.15			No-load Current	1.71 A
NEMA Nom. Eff.	0	Power Factor	0	Line-line Res. @ 25°C	17.7 Ω
Rating - Duty	40C AMB-CONT			Temp. Rise @ Rated Load	
				Locked-rotor Power Factor	65.1
				Rotor inertia	0.319 LB-FT <sup>2</sup>

Load Characteristics 460 V, 60 Hz, 1.3 HP

% of Rated Load	25	50	75	100	125	150	S.F.
Power Factor	31	46	59	68	75	80	72
Efficiency	57.1	70.7	75.9	77.9	78.4	77.9	78.2
Speed	1192	1184	1176	1167	1158	1147	1162
Line amperes	1.75	1.86	2.05	2.29	2.59	2.94	2.47

Performance Graph at 460V, 60Hz, 1.3HP Typical performance - Not guaranteed values



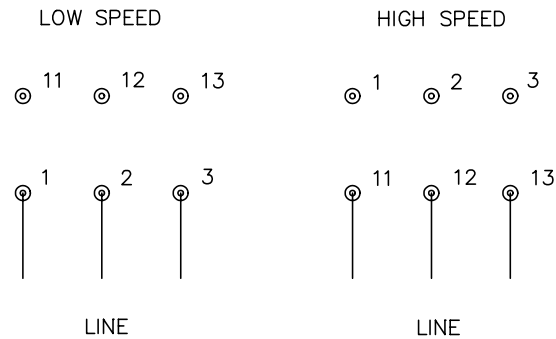
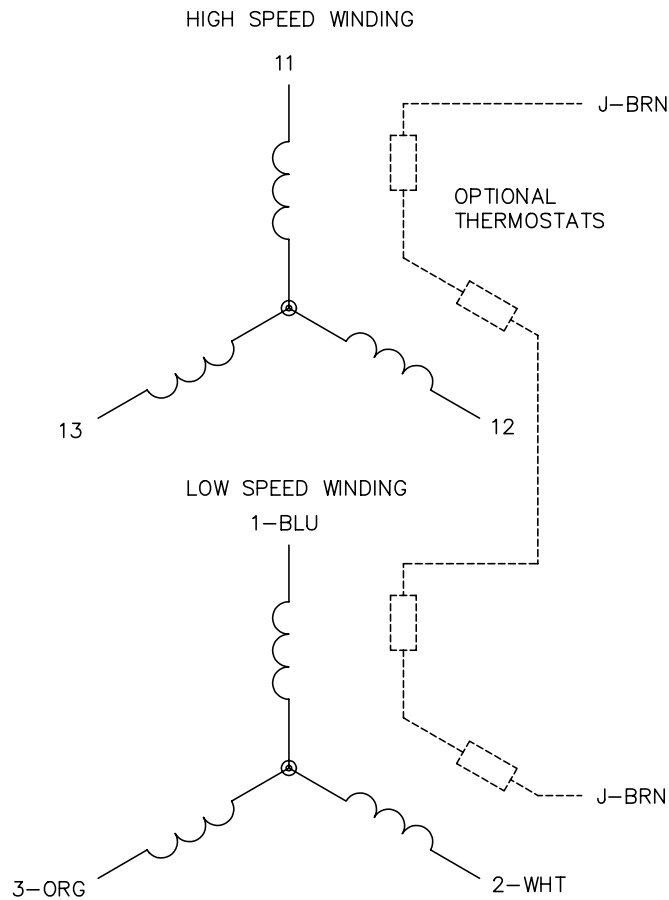


36LYB001

CUST. NAME		CUST. P.O.		CERTIFIED BY		MODEL		INSUL		AMB	
H.P.		MTG		TYPE		R.P.M.		VOLTS		ENCL	
PHASE		FREQ		FRAME		REV. DESC: CHG'D TO HAVE NEW NEC CONDUIT BOX					
REV. LTR: M		BY: JD		REVISED: 05/19/99 3:45		TDR: 0181963					
36LYB001		FILE: AAA00002559		MDL: -							
MTL: -		STANDARD HORZ NEMA 182-4T OPEN 36M									

36LYB001

CD0013



NOTES:

1. INTERCHANGE ANY TWO LINE LEADS TO REVERSE ROTATION.
2. OPTIONAL THERMOSTATS ARE PROVIDED WHEN SPECIFIED.
3. ACTUAL NUMBER OF INTERNAL PARALLEL CIRCUITS MAY VARY.
4. LEAD COLORS ARE OPTIONAL. LEADS MUST ALWAYS BE NUMBERED AS SHOWN.

REV. DESC: REVISE TO SHOW OPTIONAL COLORS			
REV. LTR: D	BY: JLP	REVISED: 01/22/99 8:50	TDR: 0171435
Ω10003		FILE: AAA00005143	MDL: -
		MTL: -	

**BALDOR ELECTRIC Co.**

3PH, SV, 6 LEADS, 2-SPEED 2-WINDING

CD0013