

BALDOR® • RELIANCE 

Product Information Packet

M1754T

1/.25HP,1740/870RPM,3PH,60HZ,143T,3518M

Part Detail							
Revision:	K	Status:	PRD/A	Change #:		Proprietary:	No
Type:	AC	Elec. Spec:	35WGP580	CD Diagram:	CD0032	Mfg Plant:	
Mech. Spec:	35AA001	Layout:	35LYAA001	Poles:	04/08	Created Date:	12-21-2009
Base:	RG	Eff. Date:	03-13-2018	Leads:	6#18		

Specs			
Catalog Number:	M1754T	Insulation Class:	F
Enclosure:	TEFC	Inverter Code:	Not Inverter
Frame:	143T	KVA Code:	M
Frame Material:	Steel	Lifting Lugs:	No Lifting Lugs
Output @ Frequency:	1.000 HP @ 60 HZ	Locked Bearing Indicator:	No Locked Bearing
	.250 HP @ 60 HZ	Motor Lead Quantity/Wire Size:	6 @ 18 AWG
Synchronous Speed @ Frequency:	1800 RPM @ 60 HZ	Motor Lead Exit:	Ko Box
Voltage @ Frequency:	460.0 V @ 60 HZ	Motor Lead Termination:	Flying Leads
XP Class and Group:	None	Motor Type:	3518M
XP Division:	Not Applicable	Mounting Arrangement:	F1
Agency Approvals:	UR	Product Family:	General Purpose
	CSA	Pulley End Bearing Type:	Ball
Auxillary Box:	No Auxillary Box	Pulley Face Code:	Standard
Auxillary Box Lead Termination:	None	Pulley Shaft Indicator:	Standard
Base Indicator:	Rigid	Rodent Screen:	None
Bearing Grease Type:	Polyrex EM (-20F +300F)	Shaft Extension Location:	Pulley End
Blower:	None	Shaft Ground Indicator:	No Shaft Grounding
Current @ Voltage:	1.740 A @ 460.0 V	Shaft Rotation:	Reversible

Design Code:	-	Shaft Slinger Indicator:	No Slinger
Drip Cover:	No Drip Cover	Speed Code:	2S-1W-VT
Duty Rating:	CONT	Motor Standards:	NEMA
Electrically Isolated Bearing:	Not Electrically Isolated	Starting Method:	Direct on line
Feedback Device:	NO FEEDBACK	Thermal Device - Bearing:	NONE (OLD)
Front Face Code:	Standard	Thermal Device - Winding:	None
Front Shaft Indicator:	None	Vibration Sensor Indicator:	No Vibration Sensor
Heater Indicator:	No Heater	Winding Thermal 1:	None
		Winding Thermal 2:	None

Nameplate NP1256L										
CAT.NO.	M1754T									
SPEC.	35AA001P580									
HP	1/.25									
VOLTS	460									
AMP	1.74/.78									
RPM	1740/870									
FRAME	143T				HZ	60			PH	3
SER.F.	1.15		CODE	M	DES	-		CLASS	F	
NEMA-NOM-EFF			PF							
RATING	40C AMB-CONT									
CC									USABLE AT 208V	
DE	6205				ODE	6203				
ENCL	TEFC		SN							

Parts List		
Part Number	Description	Quantity
SA188998	SA 35AA001P580	1.000 EA
RA176717	RA 35AA001P580	1.000 EA
35FN3002A05SP	EXFN, PLASTIC, 6.376 OD, .638 ID	1.000 EA
NS2512A01	INSULATOR, CONDUIT BOX X	1.000 EA
35CB3009	35 CB W/1.09 DIA. LEAD HOLE @ 6:	1.000 EA
36GS1000SP	GASKET-CONDUIT BOX, .06 THICK #SV-330 LE	1.000 EA
51XB1016A07	10-16 X 7/16 HXWSSLD SERTYB	2.000 EA
11XW1032G06	10-32 X .38, TAPTITE II, HEX WSHR SLTD U	1.000 EA
35EP3122A00	MASTER ODE,203 BRG,.683SH,#26 DRN,GRSR,F	1.000 EA
HW4500A01	1641B(ALEMITE)400 UNIV, GREASE FITT	1.000 EA
HW5100A03	WAVY WASHER (W1543-017)	1.000 EA
35EP3123F00	MASTER DE,205 BRG,.998SH,#26 DRN,GRSR	1.000 EA
HW4500A01	1641B(ALEMITE)400 UNIV, GREASE FITT	1.000 EA
XY1032A02	10-32 HEX NUT DIRECTIONAL SERRATION	4.000 EA
51XB1214A16	12-14X1.00 HXWSSLD SERTYB	1.000 EA
35FH4005A84SP	IEC FH W/GRSR, NO DIMPLES PRIMED	1.000 EA
51XW1032A06	10-32 X .38, TAPTITE II, HEX WSHR SLTD S	3.000 EA
35CB4521GX	CONDUIT BOX LID KIT **ORDER INDIV PARTS	1.000 EA
51XW0832A07	8-32 X .44, TAPTITE II, HEX WSHR SLTD SE	4.000 EA
HW2501D13	KEY, 3/16 SQ X 1.375	1.000 EA
HA7000A01	KEY RETAINER 7/8" DIA SHAFT	1.000 EA
85XU0407S04	4X1/4 U DRIVE PIN STAINLESS	2.000 EA
MJ1000A02	GREASE, POLYREX EM EXXON (USe 4824-15A)	0.050 LB
MG1000G27	MED CHARCOAL METALLIC GREY 400-0096	0.017 GA

Parts List (continued)		
Part Number	Description	Quantity
HA3100A15	THRUBOLT 10-32 X 8.375	4.000 EA
LB1119N	WARNING LABEL	1.000 EA
LC0032	CONNECTION LABEL	1.000 EA
NP1256L	ALUM UL CSA CC INDUSTRIAL MOTOR A60	1.000 EA
35PA1066	PKG GRP, PRINT PK1008A06	1.000 EA
MN416A01	TAG-INSTAL-MAINT no wire (1200/bx) 5/18	1.000 EA
PE-0000001	ZRTG PE ASSEMBLY	1.000 EA
FE-0000001	ZRTG FE ASSEMBLY	1.000 EA

Accessories		
Part Number	Description	Multiplier
35-8762	C FACE KIT	A8
35EP1506A01SP	D-FLANGE KIT	A8

AC Induction Motor Performance Data

Record # 27968 - Typical performance - not guaranteed values

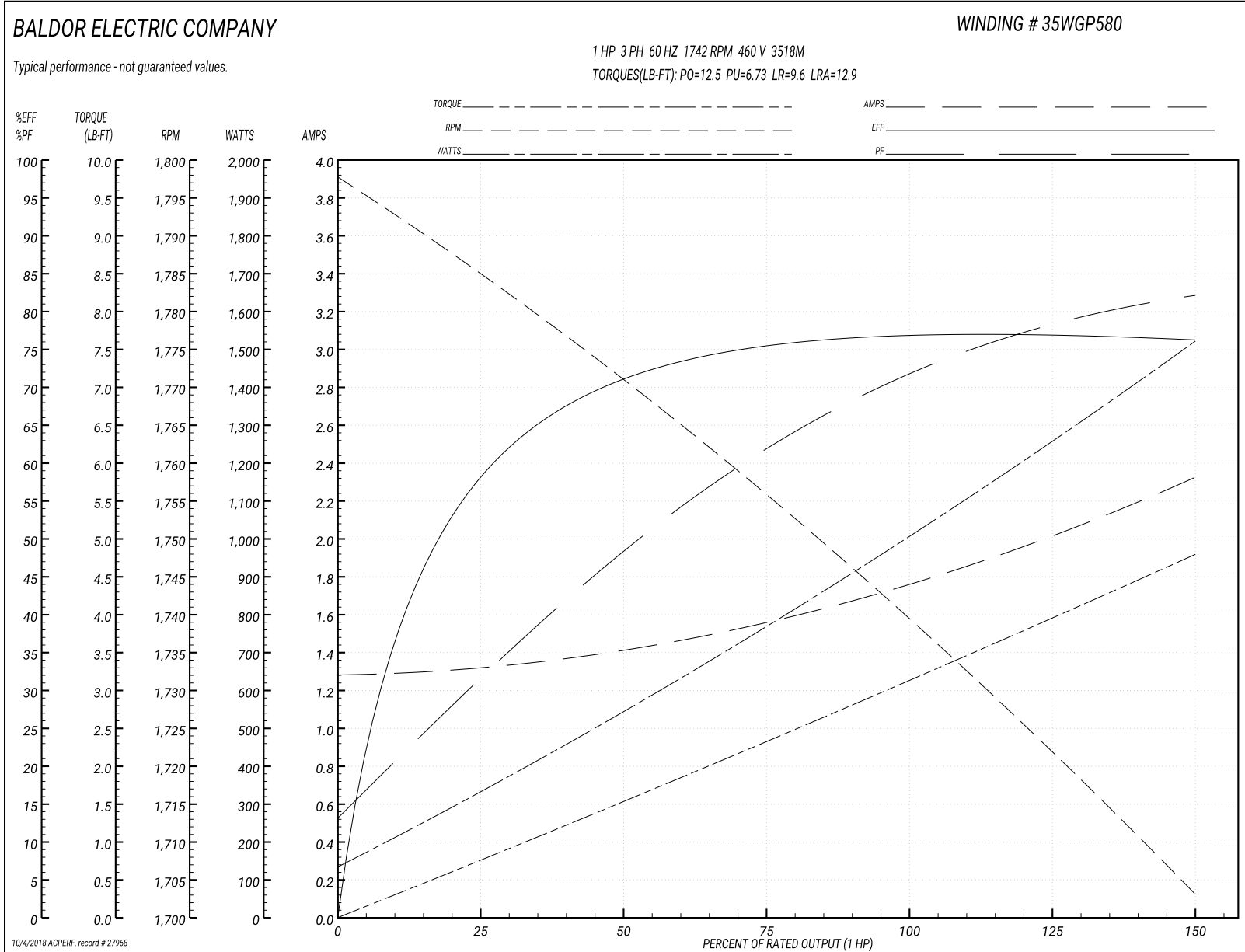
Winding: 35WGP580-R001	Type: 3518M	Enclosure: TEFC
-------------------------------	--------------------	------------------------

Nameplate Data				460 V, 60 Hz: High Speed Connection	
Rated Output (HP)	1/.25			Full Load Torque	3.04 LB-FT
Volts	460			Start Configuration	direct on line
Full Load Amps	1.74/.78			Breakdown Torque	12.5 LB-FT
R.P.M.	1740/870			Pull-up Torque	6.73 LB-FT
Hz	60	Phase	3	Locked-rotor Torque	9.6 LB-FT
NEMA Design Code	-	KVA Code	M	Starting Current	12.9 A
Service Factor (S.F.)	1.15			No-load Current	1.29 A
NEMA Nom. Eff.	0	Power Factor	0	Line-line Res. @ 25°C	19.142 Ω
Rating - Duty	40C AMB-CONT			Temp. Rise @ Rated Load	58°C
S.F. Amps				Temp. Rise @ S.F. Load	67°C

Load Characteristics 460 V, 60 Hz, 1 HP

% of Rated Load	25	50	75	100	125	150	S.F.
Power Factor	32	48	61	71	77	83	75
Efficiency	58.9	71.8	76.4	77.9	77.7	76.6	77.8
Speed	1783.6	1771.1	1757.4	1742	1725.1	1702.5	1732
Line amperes	1.31	1.4	1.55	1.74	1.98	2.32	1.88

Performance Graph at 460V, 60Hz, 1.0HP Typical performance - Not guaranteed values



AC Induction Motor Performance Data

Record # 27969 - Typical performance - not guaranteed values

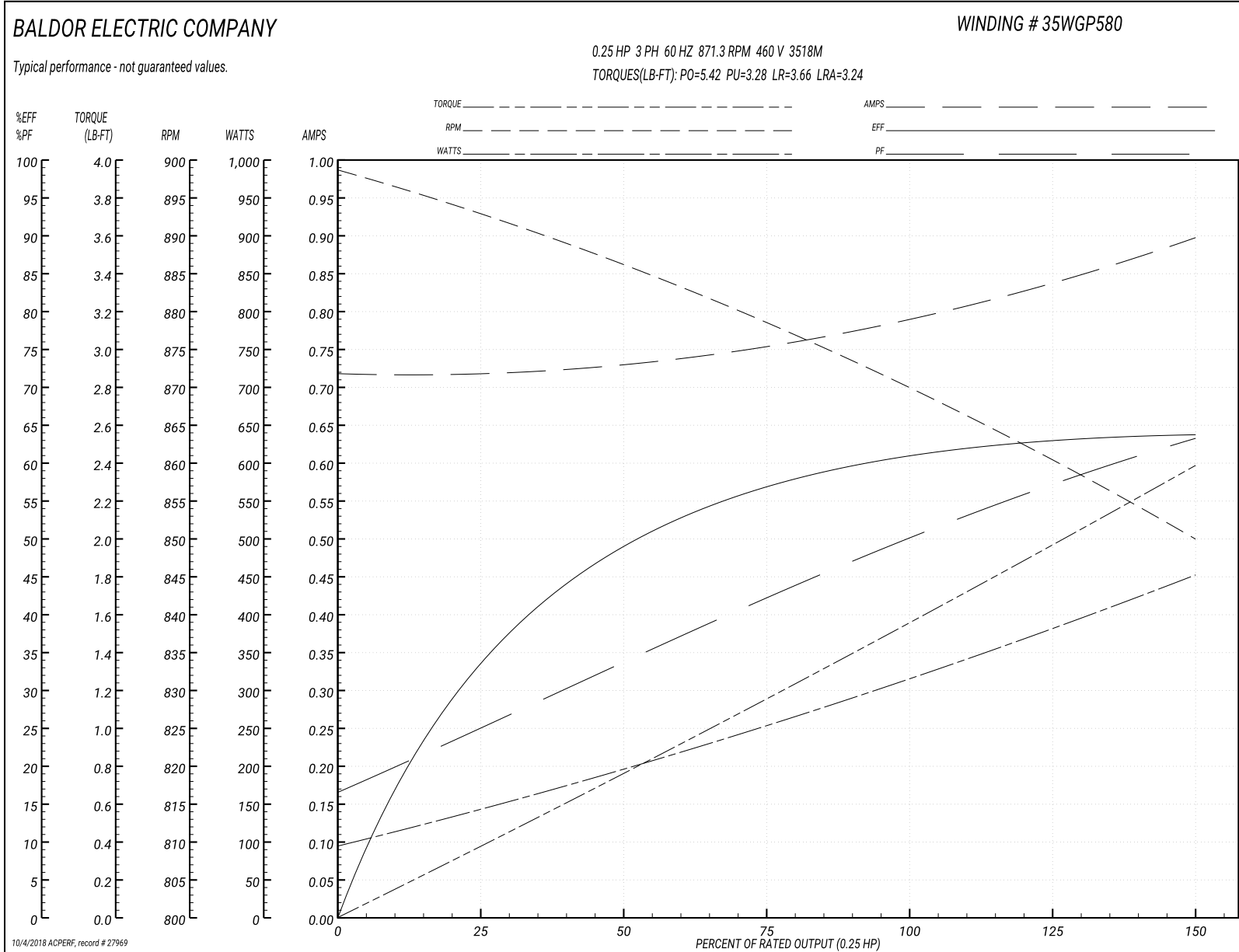
Winding: 35WGP580-R001	Type: 3518M	Enclosure: TEFC
-------------------------------	--------------------	------------------------

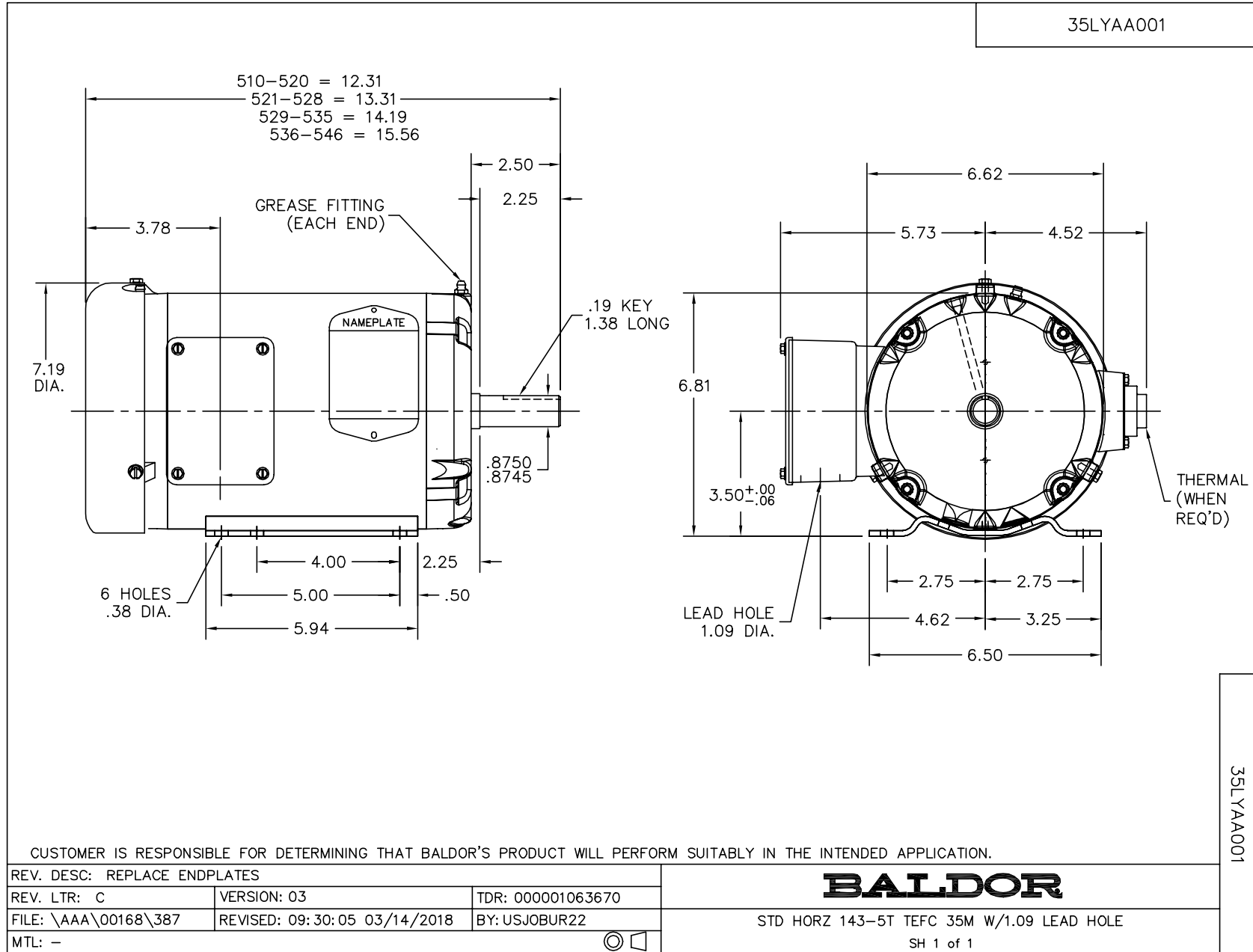
Nameplate Data				460 V, 60 Hz: Low Speed Connection	
Rated Output (HP)	1/.25			Full Load Torque	1.5 LB-FT
Volts	460			Start Configuration	direct on line
Full Load Amps	1.74/.78			Breakdown Torque	5.42 LB-FT
R.P.M.	1740/870			Pull-up Torque	3.28 LB-FT
Hz	60	Phase	3	Locked-rotor Torque	3.66 LB-FT
NEMA Design Code	-	KVA Code	M	Starting Current	3.24 A
Service Factor (S.F.)	1.15			No-load Current	0.718 A
NEMA Nom. Eff.	0	Power Factor	0	Line-line Res. @ 25°C	76.5 Ω
Rating - Duty	40C AMB-CONT			Temp. Rise @ Rated Load	47°C
S.F. Amps				Temp. Rise @ S.F. Load	51°C

Load Characteristics 460 V, 60 Hz, 0.25 HP

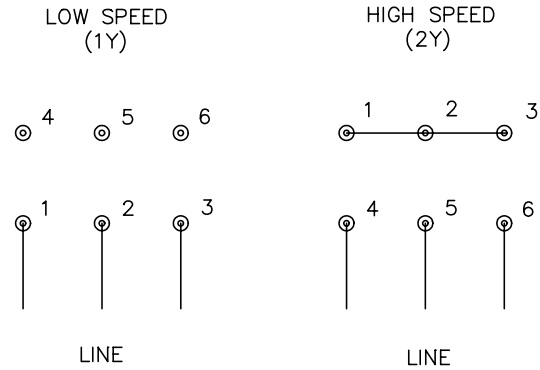
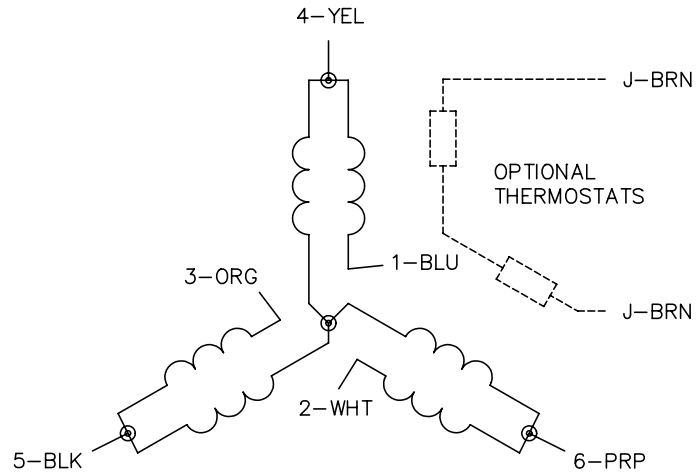
% of Rated Load	25	50	75	100	125	150	S.F.
Power Factor	25	33	41	49	56	63	53
Efficiency	32.5	48.1	56.4	61	63	63.6	62.2
Speed	892.3	887.1	879.4	871.3	862.5	849.8	866
Line amperes	0.718	0.728	0.751	0.784	0.827	0.898	0.81

Performance Graph at 460V, 60Hz, 0.25HP Typical performance - Not guaranteed values





CD0032



NOTES:

1. INTERCHANGE ANY TWO LINE LEADS TO REVERSE ROTATION.
2. OPTIONAL THERMOSTATS ARE PROVIDED WHEN SPECIFIED.
3. ACTUAL NUMBER OF INTERNAL PARALLEL CIRCUITS MAY BE A MULTIPLE OF THOSE SHOWN ABOVE.
4. LEAD COLORS ARE OPTIONAL. LEADS MUST ALWAYS BE NUMBERED AS SHOWN.

REV. DESC: REVISE TO SHOW OPTIONAL COLORS			
REV. LTR: E	BY: JLP	REVISED: 01/22/99 8:27	TDR: 0171435
CD0032		FILE: AAA00005145	MDL: -
		MTL: -	

BALDOR ELECTRIC Co.

3PH, SV, 6 LEADS, 2-SPEED 1-WINDING VARIABLE TORQUE

CD0032