

BALDOR® • RELIANCE 

Product Information Packet

M1760T

10/2.5HP, 1725/850RPM, 3PH, 60HZ, 215T, 3756M

Part Detail							
Revision:	AB	Status:	PRD/A	Change #:		Proprietary:	No
Type:	AC	Elec. Spec:	37WGX579	CD Diagram:	CD0032	Mfg Plant:	
Mech. Spec:	37F369	Layout:	37LYF369	Poles:	04/08	Created Date:	
Base:	RG	Eff. Date:	07-23-2015	Leads:	6#14		

Specs			
Catalog Number:	M1760T	Insulation Class:	H
Enclosure:	TEFC	Inverter Code:	Not Inverter
Frame:	215T	KVA Code:	K
Frame Material:	Steel	Lifting Lugs:	No Lifting Lugs
Output @ Frequency:	2.500 HP @ 60 HZ	Locked Bearing Indicator:	No Locked Bearing
	10.000 HP @ 60 HZ	Motor Lead Quantity/Wire Size:	6 @ 14 AWG
Synchronous Speed @ Frequency:	1800 RPM @ 60 HZ	Motor Lead Exit:	Ko Box
Voltage @ Frequency:	460.0 V @ 60 HZ	Motor Lead Termination:	Flying Leads
XP Class and Group:	None	Motor Type:	3756M
XP Division:	Not Applicable	Mounting Arrangement:	F1
Agency Approvals:	UR	Product Family:	General Purpose
	CSA	Pulley End Bearing Type:	Ball
Auxillary Box:	No Auxillary Box	Pulley Face Code:	Standard
Auxillary Box Lead Termination:	None	Pulley Shaft Indicator:	Standard
Base Indicator:	Rigid	Rodent Screen:	None
Bearing Grease Type:	Polyrex EM (-20F +300F)	Shaft Extension Location:	Pulley End
Blower:	None	Shaft Ground Indicator:	No Shaft Grounding
Current @ Voltage:	12.500 A @ 460.0 V	Shaft Rotation:	Reversible

Design Code:	B	Shaft Slinger Indicator:	No Slinger
Drip Cover:	No Drip Cover	Speed Code:	2S-1W-VT
Duty Rating:	CONT	Motor Standards:	NEMA
Electrically Isolated Bearing:	Not Electrically Isolated	Starting Method:	Direct on line
Feedback Device:	NO FEEDBACK	Thermal Device - Bearing:	NONE (OLD)
Front Face Code:	Standard	Thermal Device - Winding:	None
Front Shaft Indicator:	None	Vibration Sensor Indicator:	No Vibration Sensor
Heater Indicator:	No Heater	Winding Thermal 1:	None
		Winding Thermal 2:	None

Nameplate NP1256L										
CAT.NO.	M1760T									
SPEC.	37F369X579									
HP	10/2.5									
VOLTS	460									
AMP	12.5/4.5									
RPM	1725/850									
FRAME	215T				HZ	60			PH	3
SER.F.	1.15		CODE	K	DES	B		CLASS	H	
NEMA-NOM-EFF			PF							
RATING	40C AMB-CONT									
CC									USABLE AT 208V	
DE	6307				ODE	6206				
ENCL	TEFC		SN							

Parts List		
Part Number	Description	Quantity
SA031367	SA 37F369X579	1.000 EA
RA027406	RA 37F369X579	1.000 EA
HW3200A01	3/8-16X3/4 I-BLT WELDED F/S	1.000 EA
37CB3004	37 CB CASTING W/1.09 LEAD HOLE @ 6:00	1.000 EA
37GS1000SP	GASKET, CONDUIT BOX STD., .06 THICK LEXI	1.000 EA
51XW2520A12	.25-20 X .75, TAPTITE II, HEX WSHR SLTD	2.000 EA
11XW1032G06	10-32 X .38, TAPTITE II, HEX WSHR SLTD U	1.000 EA
37EP3101A01	FR ENDPLATE, FOR ROUTING PURPOSES	1.000 EA
HW4500A01	1641B(ALEMITE)400 UNIV, GREASE FITT	1.000 EA
HW5100A06	W2420-025 WVY WSHR (WB)	1.000 EA
37PE3100A01	PUEP ASSEMBLY - ROUTING PUPROSES	1.000 EA
HW4500A01	1641B(ALEMITE)400 UNIV, GREASE FITT	1.000 EA
HA3104A25	THRUBOLT .31-18 X 14.75	4.000 EA
XY3118A12	5/16-18 HEX NUT DIRECTIONAL SERRATION	4.000 EA
37FN3002A01SP	EXFN, PLASTIC, 9.00 OD, 1.155 ID	1.000 EA
51XB1214A20	12-14X1.25 HXWSSLD SERTYB	1.000 EA
07FH4007SP	PRIMED	1.000 EA
51XW1032A06	10-32 X .38, TAPTITE II, HEX WSHR SLTD S	3.000 EA
37CB4516	LIPPED LID FOR 37 FRAME NEC KOBX	1.000 EA
37GS1008	37 GS FOR CB LID - LEXIDE	1.000 EA
51XW0832A07	8-32 X .44, TAPTITE II, HEX WSHR SLTD SE	4.000 EA
HW2501F21	KEY, 5/16 SQ X 2.375	1.000 EA
HA7000A02	KEY RETAINER RING, 1 1/8 DIA, 1 3/8 DIA	1.000 EA
85XU0407S04	4X1/4 U DRIVE PIN STAINLESS	2.000 EA

Parts List (continued)		
Part Number	Description	Quantity
LB1115N	LABEL,LIFTING DEVICE (ON ROLLS)	1.000 EA
MJ1000A02	GREASE, POLYREX EM EXXON (USe 4824-15A)	0.050 LB
MG1000G27	MED CHARCOAL METALLIC GREY 400-0096	0.028 GA
LB1119N	WARNING LABEL	1.000 EA
LC0032	CONNECTION LABEL	1.000 EA
NP1256L	ALUM UL CSA CC INDUSTRIAL MOTOR A60	1.000 EA
37PA1039	PALLET PACK GRP, PRINT PK1026A06	1.000 EA
MN416A01	TAG-INSTAL-MAINT no wire (1200/bx) 5/18	1.000 EA

Accessories		
Part Number	Description	Multiplier
37-3301	C FACE KIT	P1

AC Induction Motor Performance Data

Record # 37158 - Typical performance - not guaranteed values

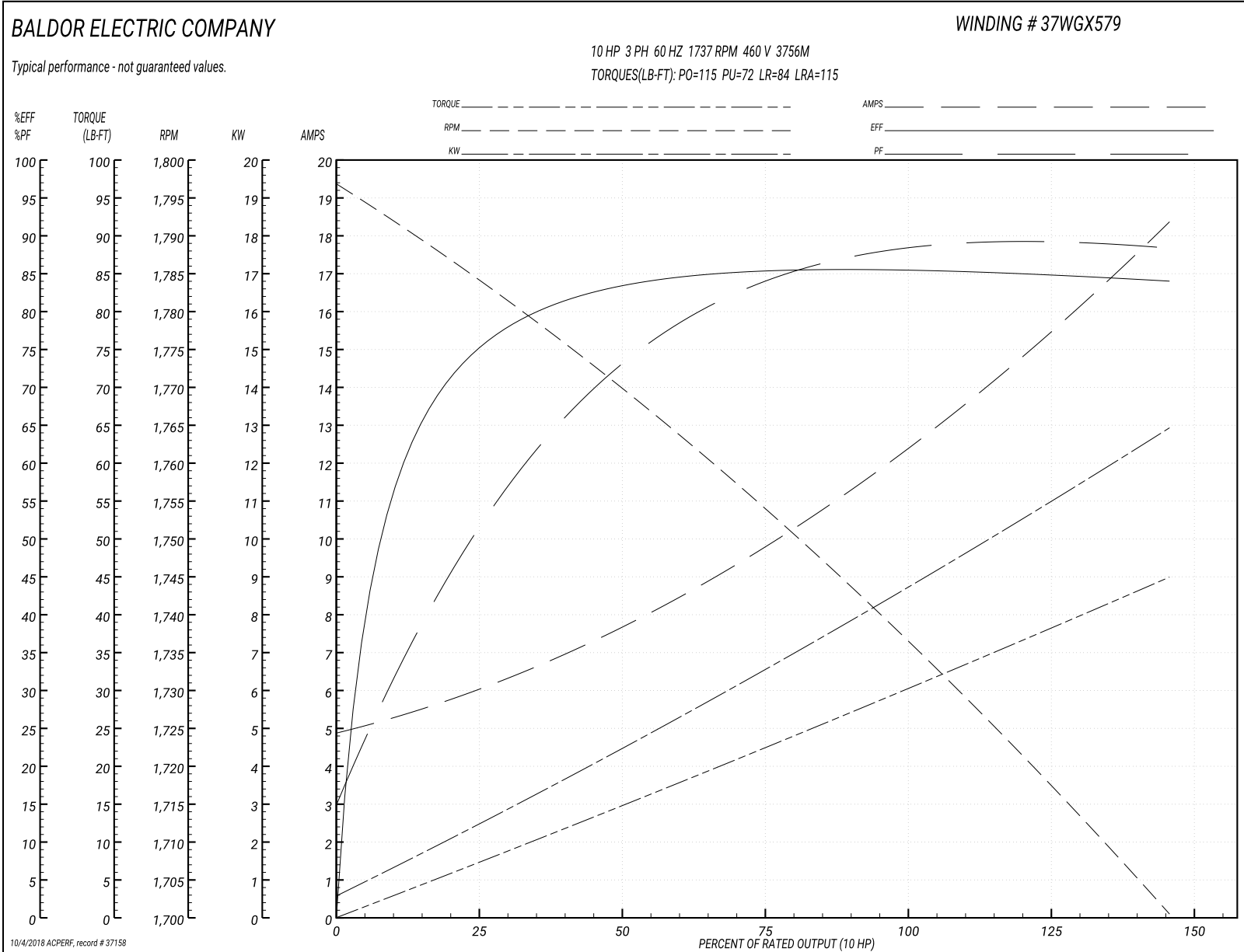
Winding: 37WGX579-R003	Type: 3756M	Enclosure: TEFC
-------------------------------	--------------------	------------------------

Nameplate Data				460 V, 60 Hz: High Speed Connection	
Rated Output (HP)	10/2.5			Full Load Torque	30 LB-FT
Volts	460			Start Configuration	direct on line
Full Load Amps	12.5/4.5			Breakdown Torque	115 LB-FT
R.P.M.	1725/850			Pull-up Torque	72 LB-FT
Hz	60	Phase	3	Locked-rotor Torque	84 LB-FT
NEMA Design Code	B	KVA Code	K	Starting Current	115 A
Service Factor (S.F.)	1.15			No-load Current	5 A
NEMA Nom. Eff.	0	Power Factor	0	Line-line Res. @ 25°C	1.24 Ω
Rating - Duty	40C AMB-CONT			Temp. Rise @ Rated Load	115°C
S.F. Amps				Temp. Rise @ S.F. Load	137°C

Load Characteristics 460 V, 60 Hz, 10 HP

% of Rated Load	25	50	75	100	125	150	S.F.
Power Factor	54	75	83	87	89	89	88
Efficiency	74.8	83.2	85.4	85.7	85	83.9	85.3
Speed	1784	1769	1754	1737	1720	1700	1727
Line amperes	5.9	7.6	9.9	12.4	15.2	18.3	14.1

Performance Graph at 460V, 60Hz, 10.0HP Typical performance - Not guaranteed values



AC Induction Motor Performance Data

Record # 37159 - Typical performance - not guaranteed values

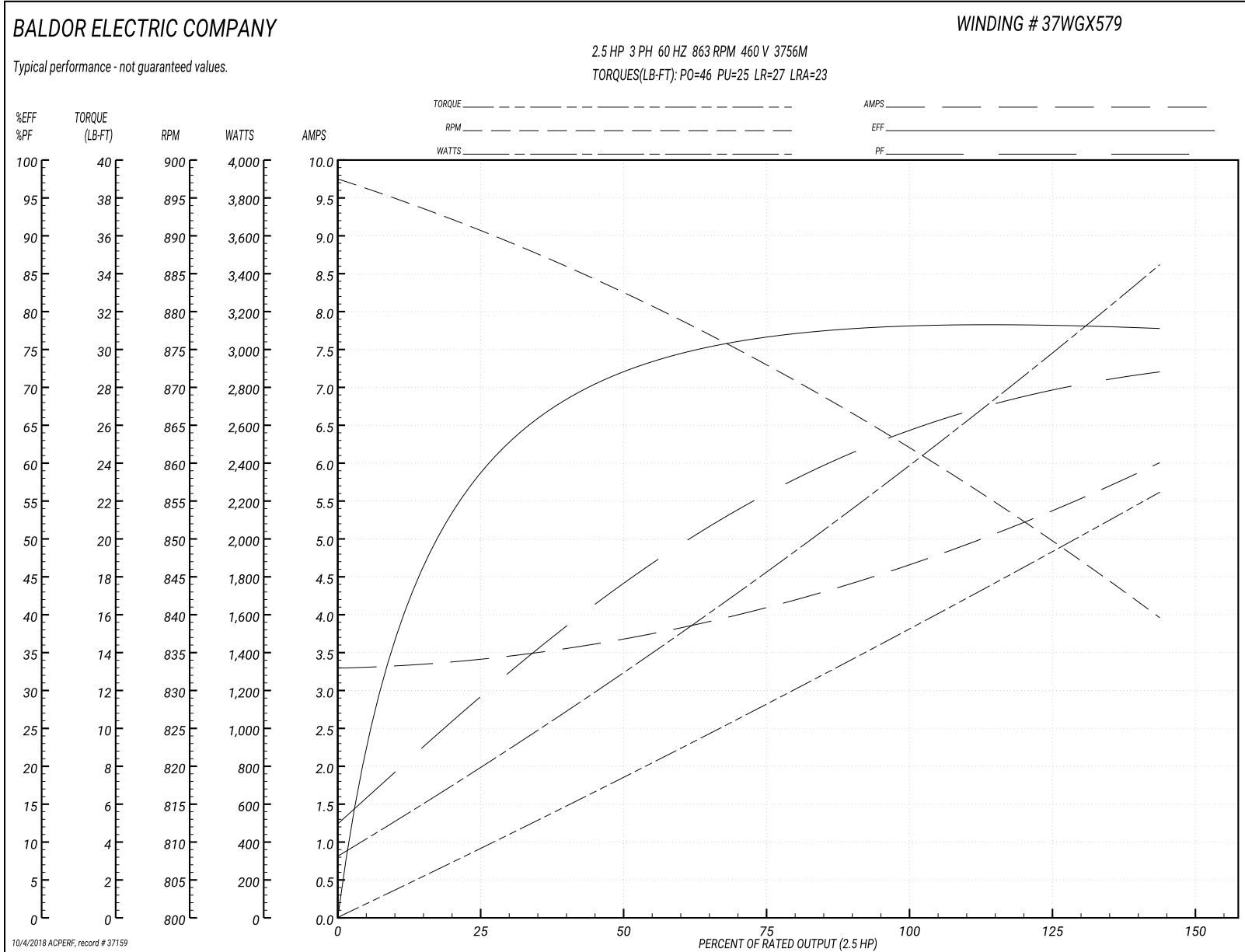
Winding: 37WGX579-R003	Type: 3756M	Enclosure: TEFC
-------------------------------	--------------------	------------------------

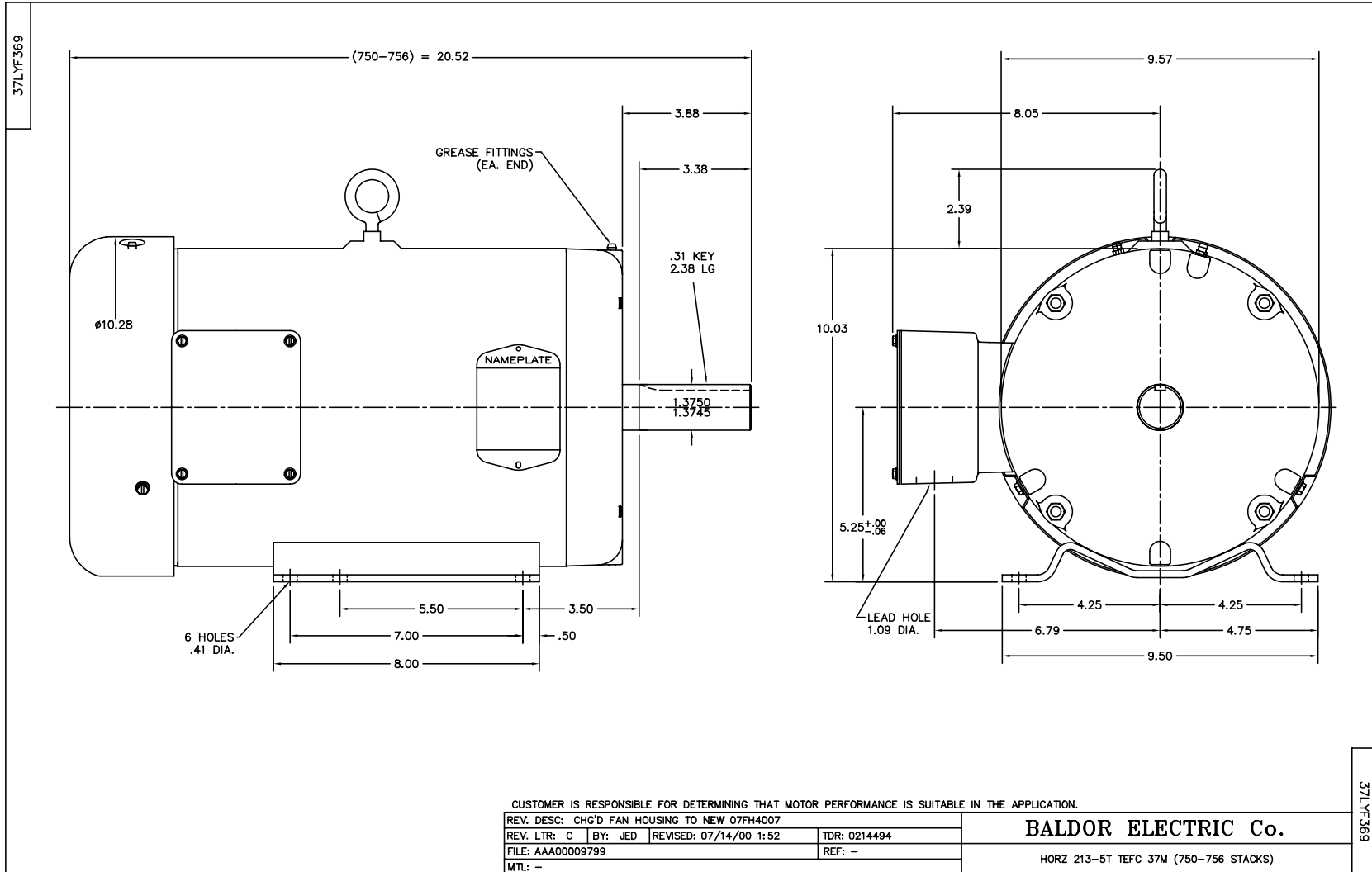
Nameplate Data				460 V, 60 Hz: Low Speed Connection	
Rated Output (HP)	10/2.5			Full Load Torque	15 LB-FT
Volts	460			Start Configuration	direct on line
Full Load Amps	12.5/4.5			Breakdown Torque	46 LB-FT
R.P.M.	1725/850			Pull-up Torque	25 LB-FT
Hz	60	Phase	3	Locked-rotor Torque	27 LB-FT
NEMA Design Code	B	KVA Code	K	Starting Current	23 A
Service Factor (S.F.)	1.15			No-load Current	3.3 A
NEMA Nom. Eff.	0	Power Factor	0	Line-line Res. @ 25°C	4.97 Ω
Rating - Duty	40C AMB-CONT			Temp. Rise @ Rated Load	69°C
S.F. Amps				Temp. Rise @ S.F. Load	79°C

Load Characteristics 460 V, 60 Hz, 2.5 HP

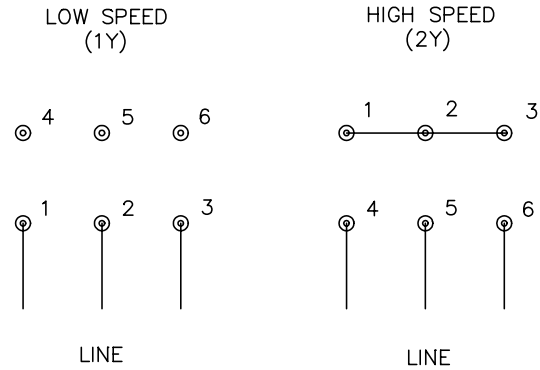
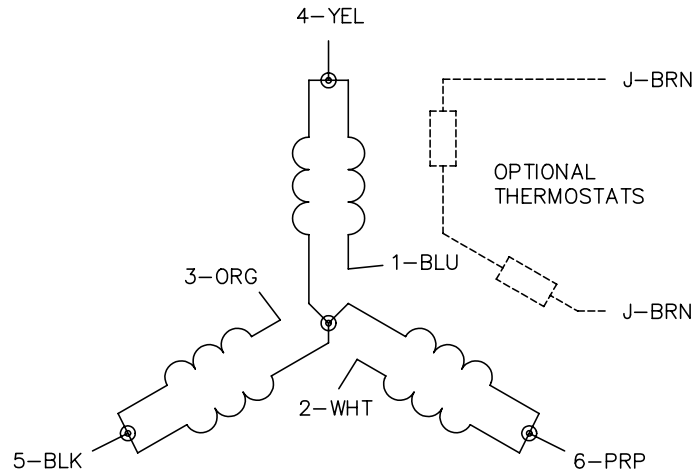
% of Rated Load	25	50	75	100	125	150	S.F.
Power Factor	30	45	56	64	69	72	67
Efficiency	58.4	71.6	76.9	78.2	78.6	77.5	78.4
Speed	890	882	873	863	852	839	856
Line amperes	3.4	3.7	4.1	4.6	5.3	6	5.02

Performance Graph at 460V, 60Hz, 2.5HP Typical performance - Not guaranteed values





CD0032



NOTES:

1. INTERCHANGE ANY TWO LINE LEADS TO REVERSE ROTATION.
2. OPTIONAL THERMOSTATS ARE PROVIDED WHEN SPECIFIED.
3. ACTUAL NUMBER OF INTERNAL PARALLEL CIRCUITS MAY BE A MULTIPLE OF THOSE SHOWN ABOVE.
4. LEAD COLORS ARE OPTIONAL. LEADS MUST ALWAYS BE NUMBERED AS SHOWN.

REV. DESC: REVISE TO SHOW OPTIONAL COLORS			
REV. LTR: E	BY: JLP	REVISED: 01/22/99 8:27	TDR: 0171435
CD0032		FILE: AAA00005145	MDL: -
		MTL: -	

BALDOR ELECTRIC Co.

3PH, SV, 6 LEADS, 2-SPEED 1-WINDING VARIABLE TORQUE

CD0032