

BALDOR® • RELIANCE 

Product Information Packet

M7010-5

.75HP, 1725RPM, 3PH, 60HZ, 56, X3512M, XPFC, F1

Part Detail							
Revision:	AB	Status:	PRD/A	Change #:		Proprietary:	No
Type:	AC	Elec. Spec:	35WG0464	CD Diagram:	CD0006	Mfg Plant:	
Mech. Spec:	35E356	Layout:	35LYE356	Poles:	04	Created Date:	
Base:	RG	Eff. Date:	01-20-2017	Leads:	3#18		

Specs			
Catalog Number:	M7010-5	KVA Code:	K
Enclosure:	XPFC	Lifting Lugs:	No Lifting Lugs
Frame:	56	Locked Bearing Indicator:	No Locked Bearing
Frame Material:	Steel	Motor Lead Quantity/Wire Size:	3 @ 18 AWG
Output @ Frequency:	.750 HP @ 60 HZ	Motor Lead Exit:	Ko Box
Synchronous Speed @ Frequency:	1800 RPM @ 60 HZ	Motor Lead Termination:	Flying Leads
Voltage @ Frequency:	575.0 V @ 60 HZ	Motor Type:	3512M
XP Class and Group:	CLI GP D; CLII GP F,G	Mounting Arrangement:	F1
XP Division:	Division I	Power Factor:	69
Agency Approvals:	UL	Product Family:	General Purpose
	CSA	Pulley End Bearing Type:	Ball
Auxillary Box:	No Auxillary Box	Pulley Face Code:	Standard
Auxillary Box Lead Termination:	None	Pulley Shaft Indicator:	Standard
Base Indicator:	Rigid	Rodent Screen:	None
Bearing Grease Type:	Polyrex EM (-20F +300F)	RoHS Status:	ROHS COMPLIANT
Blower:	None	Shaft Extension Location:	Pulley End
Current @ Voltage:	1.200 A @ 575.0 V	Shaft Ground Indicator:	No Shaft Grounding
Design Code:	B	Shaft Rotation:	Reversible

Drip Cover:	No Drip Cover	Shaft Slinger Indicator:	No Slinger
Duty Rating:	CONT	Speed Code:	Single Speed
Electrically Isolated Bearing:	Not Electrically Isolated	Motor Standards:	NEMA
Feedback Device:	NO FEEDBACK	Starting Method:	Direct on line
Front Face Code:	Standard	Thermal Device - Bearing:	NONE (OLD)
Front Shaft Indicator:	None	Thermal Device - Winding:	Normally Closed Thermostat
Heater Indicator:	No Heater	Vibration Sensor Indicator:	No Vibration Sensor
Insulation Class:	B	Winding Thermal 1:	None
Inverter Code:	Not Inverter	Winding Thermal 2:	None
		XP Temp Code:	T3C

Nameplate NP1426XPSL	
NO.	<input type="text"/>
SER.	<input type="text"/>
SPEC.	35E356-0464G1
CAT.NO.	M7010-5
HP	.75
VOLTS	575
AMPS	1.2
RPM	1725
HZ	60
SER.F.	1.00
RATING	40C AMB-CONT
FRAME	56
USABLE AT 208V	<input type="text"/>
BLANK	<input type="text"/>
	CC <input type="text"/>
	T. CODE T3C
	PH 3 CL B
	DES B CODE K
	NEMA-NOM-EFF 76
	PF 69

Parts List		
Part Number	Description	Quantity
SA023908	SA 35E356-0464G1	1.000 EA
RA019958	RA 35E356-0464G1	1.000 EA
35CB3001A01SP	EXPL CONDUIT BOX, MACH, 1/2" PIPE TAP LE	1.000 EA
11XW1032G06	10-32 X .38, TAPTITE II, HEX WSHR SLTD U	1.000 EA
HW3001B01	BRASS CUP WASHER, FOR #10 SCREW	1.000 EA
35EP3700A01SP	FR ENDPLATE, XPFC	1.000 EA
HW5100A03	WAVY WASHER (W1543-017)	1.000 EA
35EP3701A01	PU ENDPLATE, XPFC - 205 BRG	1.000 EA
XY3118A12	5/16-18 HEX NUT DIRECTIONAL SERRATION	4.000 EA
51XB1214A16	12-14X1.00 HXWSSLD SERTYB	1.000 EA
35FH4005A01SP	IEC FH NO GREASER W/PRIMED	1.000 EA
51XW1032A06	10-32 X .38, TAPTITE II, HEX WSHR SLTD S	3.000 EA
35CB3500A01SP	CONDUIT BOX LID, MACH	1.000 EA
51XN2520A16	SCREW, HEX WS SLT, ZN, 1/4-20 X 1.00	4.000 EA
HW2501D13	KEY, 3/16 SQ X 1.375	1.000 EA
HA7000A04	KEY RETAINER 0.625 DIA SHAFTS	1.000 EA
85XU0407S04	4X1/4 U DRIVE PIN STAINLESS	6.000 EA
NP0018F	ALUM UL XP CONDUIT BOX NAMEPLATE	1.000 EA
MJ1000A02	GREASE, POLYREX EM EXXON (USe 4824-15A)	0.050 LB
35FN3002A05SP	EXFN, PLASTIC, 6.376 OD, .638 ID	1.000 EA
MG1025G29	WILKOFAS, 789.229, DARK CHARCOAL GRAY	0.017 GA
HA3104A06	THRUBOLT 5/16-18 X 8.50 OHIO ROD	4.000 EA
LB1119N	WARNING LABEL	1.000 EA
LC0006	CONNECTION LABEL	1.000 EA

Parts List (continued)		
Part Number	Description	Quantity
NP1426XPSL	SS XP UL CSA CC CL-I GP-D CL-II GP-F&G	1.000 EA
36PA1000	PKG GRP, PRINT PK1016A06	1.000 EA
MN416A01	TAG-INSTAL-MAINT no wire (1200/bx) 5/18	1.000 EA

AC Induction Motor Performance Data

Record # 20310 - Typical performance - not guaranteed values

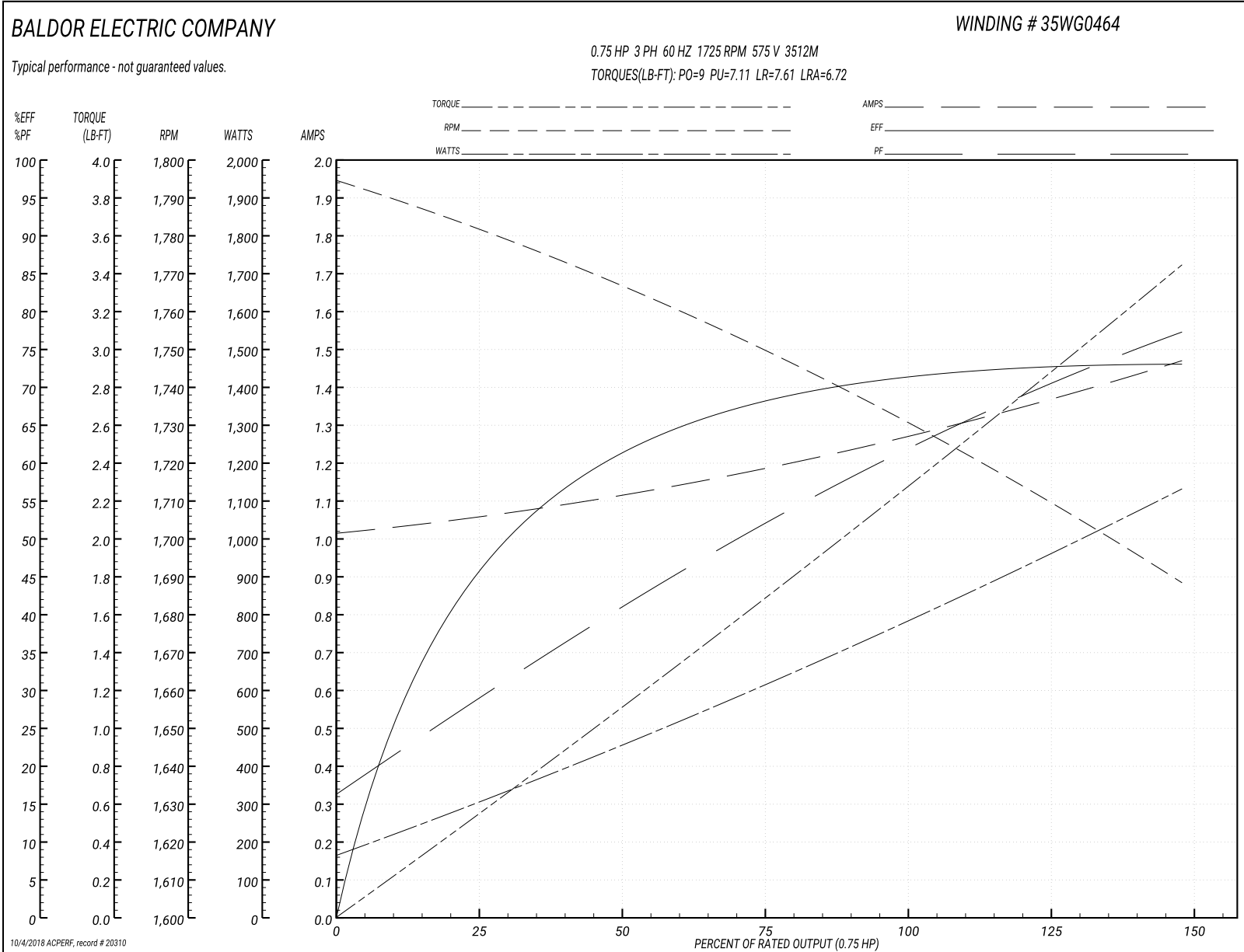
Winding: 35WG0464-R002	Type: 3512M	Enclosure: XPFC
-------------------------------	--------------------	------------------------

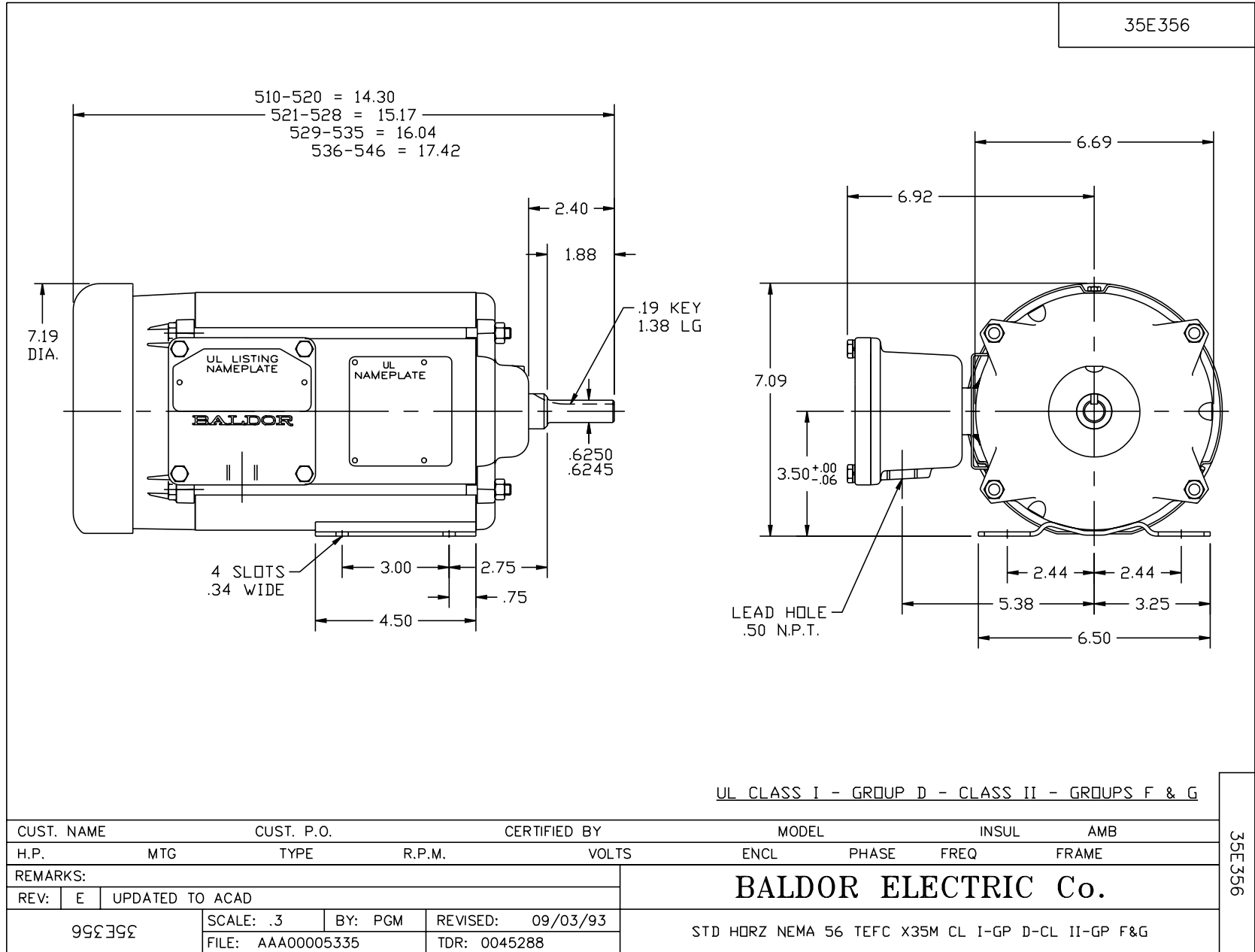
Nameplate Data				575 V, 60 Hz: Single Voltage Motor	
Rated Output (HP)	.75			Full Load Torque	2.3 LB-FT
Volts	575			Start Configuration	direct on line
Full Load Amps	1.2			Breakdown Torque	9 LB-FT
R.P.M.	1725			Pull-up Torque	7.11 LB-FT
Hz	60	Phase	3	Locked-rotor Torque	7.61 LB-FT
NEMA Design Code	B	KVA Code	K	Starting Current	6.72 A
Service Factor (S.F.)	1			No-load Current	1 A
NEMA Nom. Eff.	76	Power Factor	69	Line-line Res. @ 25°C	42.5 Ω
Rating - Duty	40C AMB-CONT			Temp. Rise @ Rated Load	54°C
				Locked-rotor Power Factor	79.3
				Rotor inertia	0.0712 LB-FT ²

Load Characteristics 575 V, 60 Hz, 0.75 HP

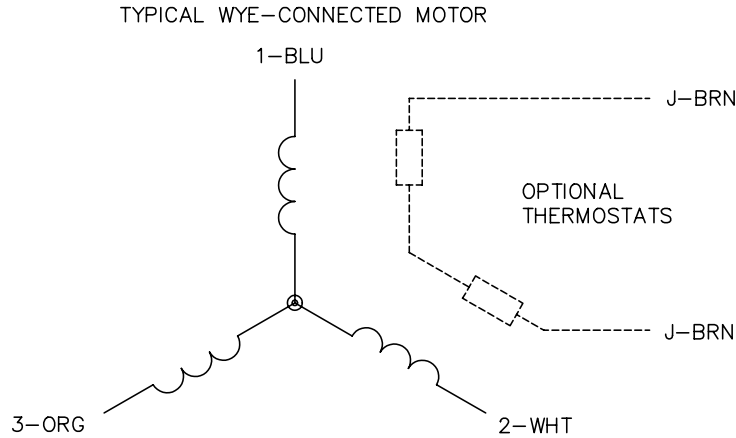
% of Rated Load	25	50	75	100	125	150
Power Factor	29	43	53	62	70	78
Efficiency	46.1	61.6	68.7	71.6	72.9	72.9
Speed	1781	1765	1749	1730	1710	1688
Line amperes	1.1	1.09	1.19	1.28	1.37	1.47

Performance Graph at 575V, 60Hz, 0.75HP Typical performance - Not guaranteed values





CD0006



NOTES:

1. THREE LEAD MOTOR MAY BE EITHER WYE CONNECTED OR DELTA CONNECTED.
2. INTERCHANGE ANY TWO LINE LEADS TO REVERSE ROTATION.
3. OPTIONAL THERMOSTATS ARE PROVIDED WHEN SPECIFIED.
4. ACTUAL NUMBER OF INTERNAL PARALLEL CIRCUITS MAY VARY.
5. LEAD COLORS ARE OPTIONAL. LEADS MUST BE NUMBERED AS SHOWN.

REV. DESC: REVISE TO SHOW OPTIONAL COLORS			
REV. LTR: D	BY: JLP	REVISED: 01/21/99 4:02	TDR: 0171435
9000D		FILE: AAA00005141	MDL: -
		MTL: -	

BALDOR ELECTRIC Co.

3PH, SV, 3 LEADS, WYE OR DELTA CONNECTED

CD0006