

**BALDOR® • RELIANCE** 

**Product Information Packet**

**MVM3458C**

**.25KW, 1725RPM, 3PH, 60HZ, D71C, 3320M, TEFC**

Part Detail							
Revision:	AN	Status:	PRD/A	Change #:		Proprietary:	No
Type:	AC	Elec. Spec:	33WG0675	CD Diagram:	CD0005A05	Mfg Plant:	
Mech. Spec:	33-1922	Layout:	33LY1922	Poles:	04	Created Date:	06-25-2007
Base:	N	Eff. Date:	08-27-2018	Leads:	9#18		

Specs			
Catalog Number:	MVM3458C	Insulation Class:	F
Enclosure:	TEFC	Inverter Code:	Not Inverter
Frame:	D71C	KVA Code:	-
Frame Material:	Steel	Lifting Lugs:	No Lifting Lugs
Output @ Frequency:	.330 HP @ 60 HZ	Locked Bearing Indicator:	Locked Bearing
Synchronous Speed @ Frequency:	1800 RPM @ 60 HZ	Motor Lead Quantity/Wire Size:	9 @ 18 AWG
Voltage @ Frequency:	230.0 V @ 60 HZ	Motor Lead Exit:	Ko Box
	460.0 V @ 60 HZ	Motor Lead Termination:	Flying Leads
Agency Approvals:	UR	Motor Type:	3320M
	CSA	Mounting Arrangement:	F2
Auxillary Box:	No Auxillary Box	Power Factor:	58
Auxillary Box Lead Termination:	None	Product Family:	General Purpose
Base Indicator:	No Mounting	Pulley End Bearing Type:	Ball
Bearing Grease Type:	Polyrex EM (-20F +300F)	Pulley Face Code:	C-Face
Blower:	None	Pulley Shaft Indicator:	Tapped & Key
Current @ Voltage:	.700 A @ 460.0 V	Rodent Screen:	None
	1.400 A @ 230.0 V	RoHS Status:	ROHS COMPLIANT
	1.700 A @ 208.0 V	Shaft Extension Location:	Pulley End

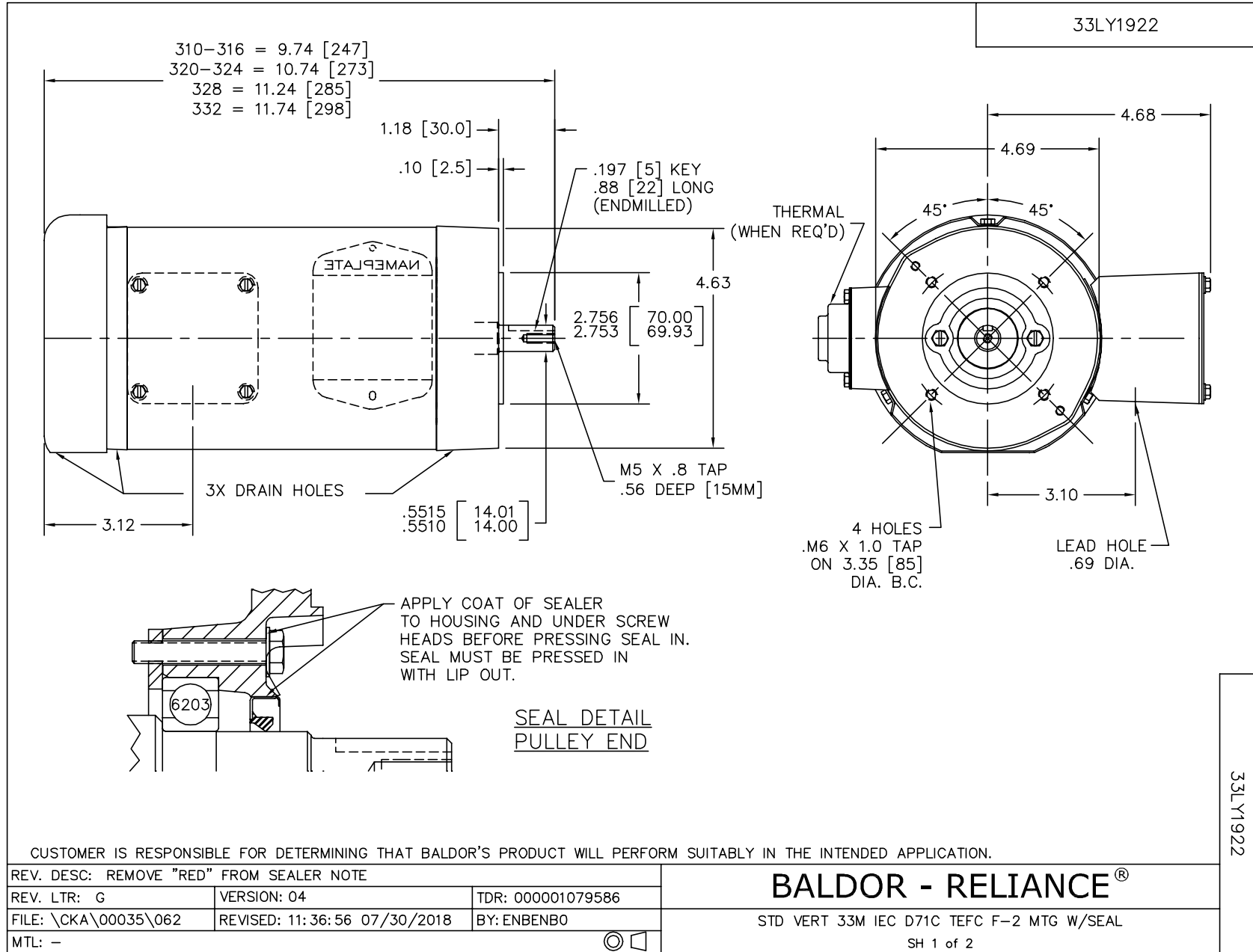
<b>Design Code:</b>	B	<b>Shaft Ground Indicator:</b>	No Shaft Grounding
<b>Drip Cover:</b>	No Drip Cover	<b>Shaft Rotation:</b>	Reversible
<b>Duty Rating:</b>	CONT	<b>Shaft Slinger Indicator:</b>	No Slinger
<b>Electrically Isolated Bearing:</b>	Not Electrically Isolated	<b>Speed Code:</b>	Single Speed
<b>Feedback Device:</b>	NO FEEDBACK	<b>Motor Standards:</b>	IEC
<b>Feedback Signal:</b>	NONE	<b>Starting Method:</b>	Direct on line
<b>Frame Prefix:</b>	D	<b>Thermal Device - Bearing:</b>	NONE (OLD)
<b>Front Face Code:</b>	Standard	<b>Thermal Device - Winding:</b>	None
<b>Front Shaft Indicator:</b>	None	<b>Vibration Sensor Indicator:</b>	No Vibration Sensor
<b>Heater Indicator:</b>	No Heater	<b>Winding Thermal 1:</b>	None
		<b>Winding Thermal 2:</b>	None

Nameplate NP1379L					
CAT.NO.	MVM3458C				
SPEC.	33-1922-675				
IEC FRAME	D71C	K.W.	.25KW	TE	
VOLTS	230/460				
AMP	1.4/.7				
RPM	1725	I.P.	54		
HZ	60	PH	3	CL	F
SER.F.	1.35	DES	B	CODE	-
NEMA-NOM-EFF	74	PF	58		
RATING	40C AMB-CONT				
CC		USABLE AT 208V	1.7		
DE	6203	ODE	6203		
SER. #					
	SFA 1.6/.8				

Parts List		
Part Number	Description	Quantity
SA007277	SA 33-1922-675	1.000 EA
RA003724	RA 33-1922-675	1.000 EA
NS2512A01	INSULATOR, CONDUIT BOX X	1.000 EA
34CB3002A64	CB W/.69 DIA @ 6	1.000 EA
34GS1029A01	GASKET, CONDUIT BOX	1.000 EA
51XB1016A07	10-16 X 7/16 HXWSSLD SERTYB	2.000 EA
11XW1032G06	10-32 X .38, TAPTITE II, HEX WSHR SLTD U	1.000 EA
33EP3100A01SP	EP,33AC ODE GP 6203 TEFC W/DRAIN	1.000 EA
HW5100A03	WAVY WASHER (W1543-017)	1.000 EA
33EP1300A35	PU EP, ENCL FACE MTD IEC D71C FOR SEAL	1.000 EA
51XN1032A20	10-32 X 1 1/4 HX WS SL SR	2.000 EA
33FN3000	EXTERNAL FAN, PLASTIC	1.000 EA
HW1003A08	WASHER, #8 EX TH LK, ZN (F/S)	1.000 EA
33FH4000A01SP	FAN COVER, STAMPED	1.000 EA
51XW1032A06	10-32 X .38, TAPTITE II, HEX WSHR SLTD S	3.000 EA
34CB4517	CB LID 4 MTG HOLES .22 DIA STAMPED, FOR	1.000 EA
34GS1031A01	GASKET, FLAT CONDUIT BOX LID (LEXIDE)	1.000 EA
51XW0832A07	8-32 X .44, TAPTITE II, HEX WSHR SLTD SE	4.000 EA
HW2504D08	KEY, 5 MM X .875	1.000 EA
HA7000A10	KEY RETAINER 0.563 DIA SHAFTS	1.000 EA
HW4600A50	SEAL,#6806 C-R .669X1.25 X.25 SNG LIP NO	1.000 EA
MJ5001A27	32220KN GRAY SEALER *MIN BUY 4 QTS=1GAL	0.001 QT
MG1000G27	MED CHARCOAL METALLIC GREY 400-0096	0.013 GA
85XU0407S04	4X1/4 U DRIVE PIN STAINLESS	2.000 EA

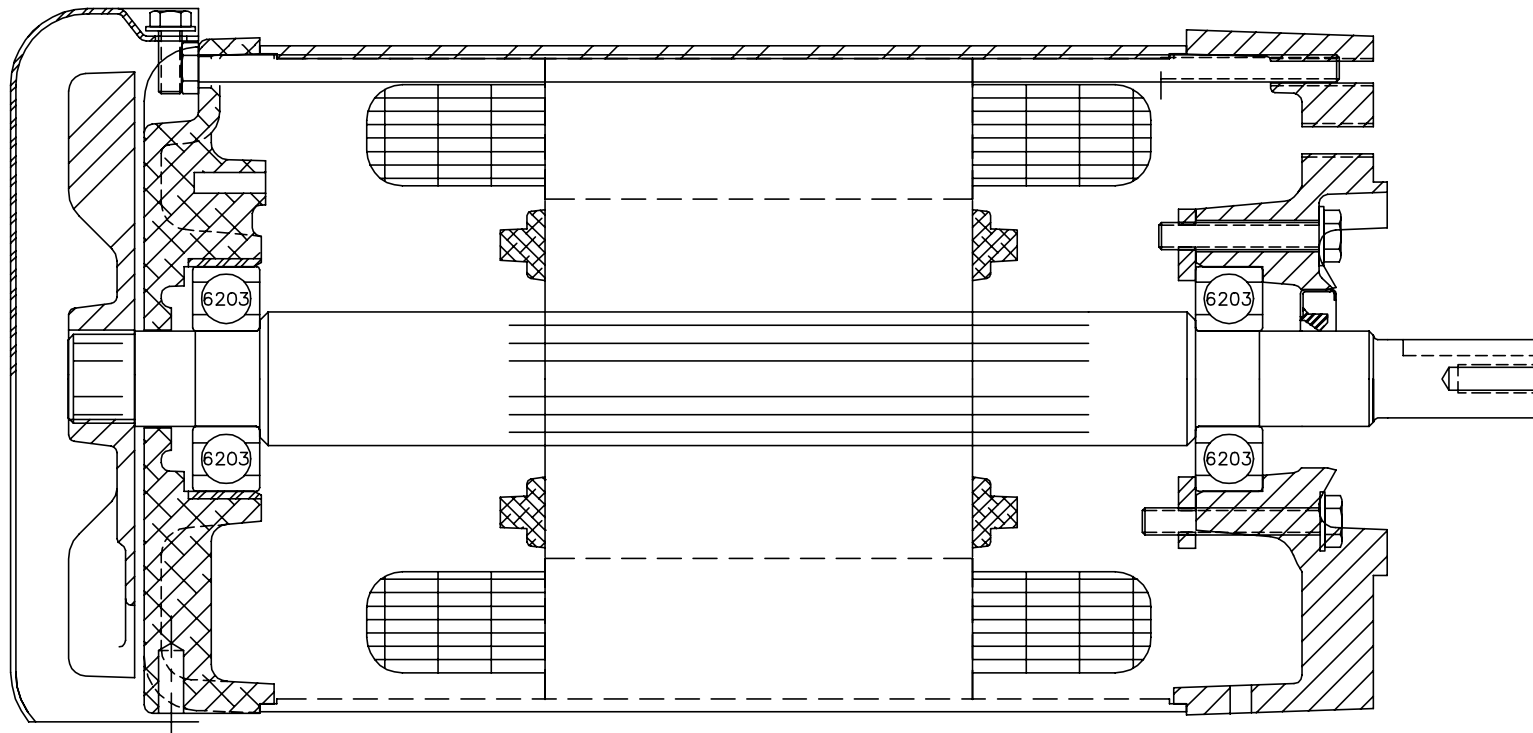
<b>Parts List (continued)</b>		
<b>Part Number</b>	<b>Description</b>	<b>Quantity</b>
HA3100A44	THRUBOLT 10-32 X 8.000	2.000 EA
MN416A01	TAG-INSTAL-MAINT no wire (1200/bx) 5/18	1.000 EA
LB1119N	WARNING LABEL	1.000 EA
LC0005E01	CONN.DIA./WARNING LABEL (LC0005/LB1119N)	1.000 EA
NP1379L	ALUM IEC UL CSA CC	1.000 EA
34PA1002	PKG GRP, PRINT PK1001A01	1.000 EA

No performance data has been  
assigned to this product.





33LY1922



CUSTOMER IS RESPONSIBLE FOR DETERMINING THAT BALDOR'S PRODUCT WILL PERFORM SUITABLY IN THE INTENDED APPLICATION.

REV. DESC: REMOVE "RED" FROM SEALER NOTE		
REV. LTR: G	VERSION: 04	TDR: 000001079586
FILE: \CKA\00035\062	REVISED: 11:36:56 07/30/2018	BY: ENBENBO
MTL: -	© □	

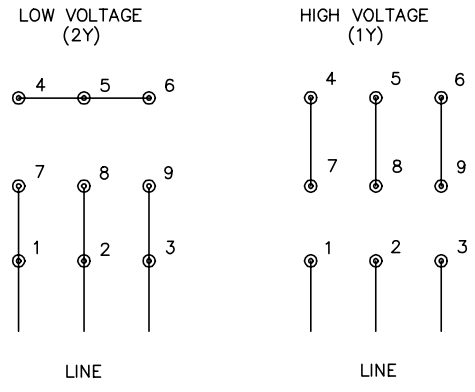
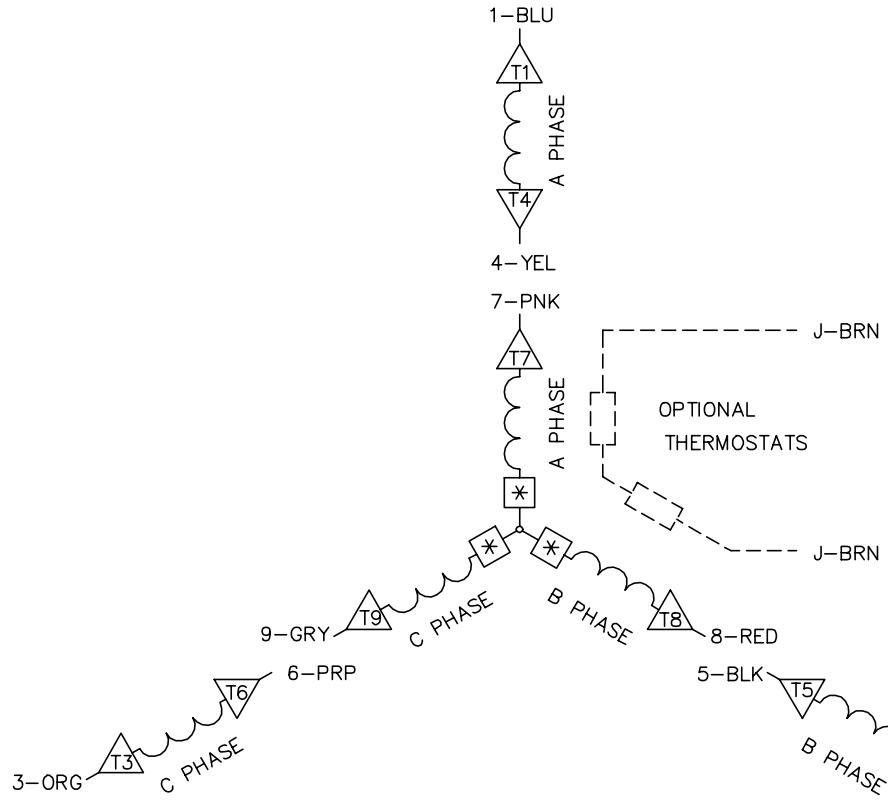
**BALDOR - RELIANCE**®

STD VERT 33M IEC D71C TEFC F-2 MTG W/SEAL

SH 2 of 2

33LY1922

CD0005A05



- NOTES:
1. INTERCHANGE ANY TWO LINE LEADS TO REVERSE ROTATION.
  2. OPTIONAL THERMOSTATS ARE PROVIDED WHEN SPECIFIED.
  3. ACTUAL NUMBER OF INTERNAL PARALLEL CIRCUITS MAY BE A MULTIPLE OF THOSE SHOWN ABOVE.
  4. LEAD COLORS ARE OPTIONAL. LEADS MUST ALWAYS BE NUMBERED AS SHOWN.
  5. =MAGNET WIRE COIL END WITH I.D. NUMBER.
  6. =MAGNET WIRE COIL END WITH I.D. SYMBOL.
  7. SEE CW PRINT FOR NEST TO NEST CROSSOVER CONNECTIONS.

REV. DESC: ADD NEST NOTE			
REV. LTR: C	VERSION: 03	TDR: 000000445597	
CD0005A05	FILE: \CKA\00024\847	REVISED: 12:51:06 11/15/2007	
	MTL: -	BY: CKMICRO	

**BALDOR • DODGE • RELIANCE**

3PH, DV, 9 LEADS, CK

CD0005A05