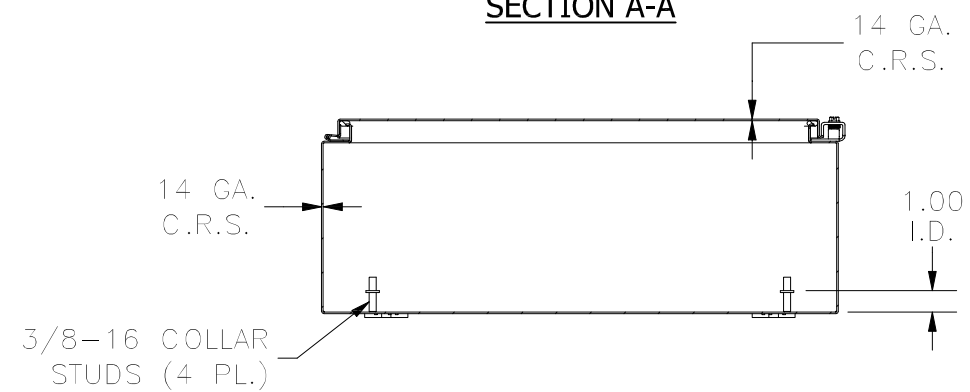
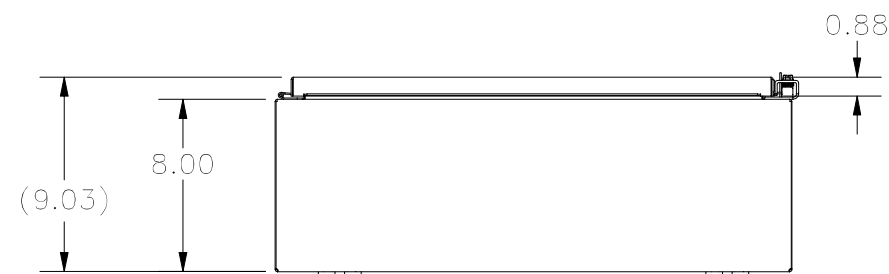


LEFT SIDE

FRONT VIEW

RIGHT VIEW

SECTION A-A



PART#: N12202408
 (DATA SUBJECT TO CHANGE WITHOUT NOTICE)

THIS DRAWING IS PROPERTY OF HUBBELL INC. WIEGMANN
 ALL INFORMATION IS PROPRIETARY AND NOT TO BE DUPLICATED