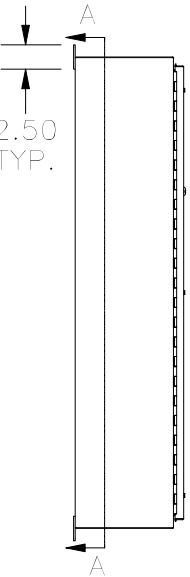
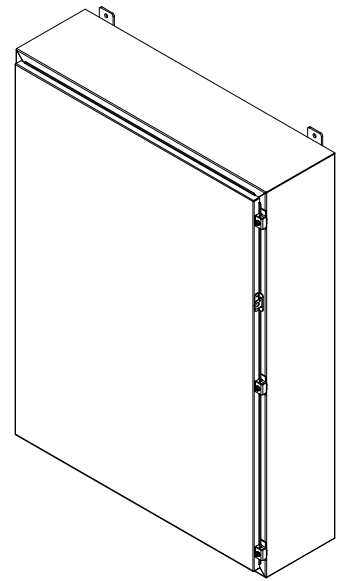
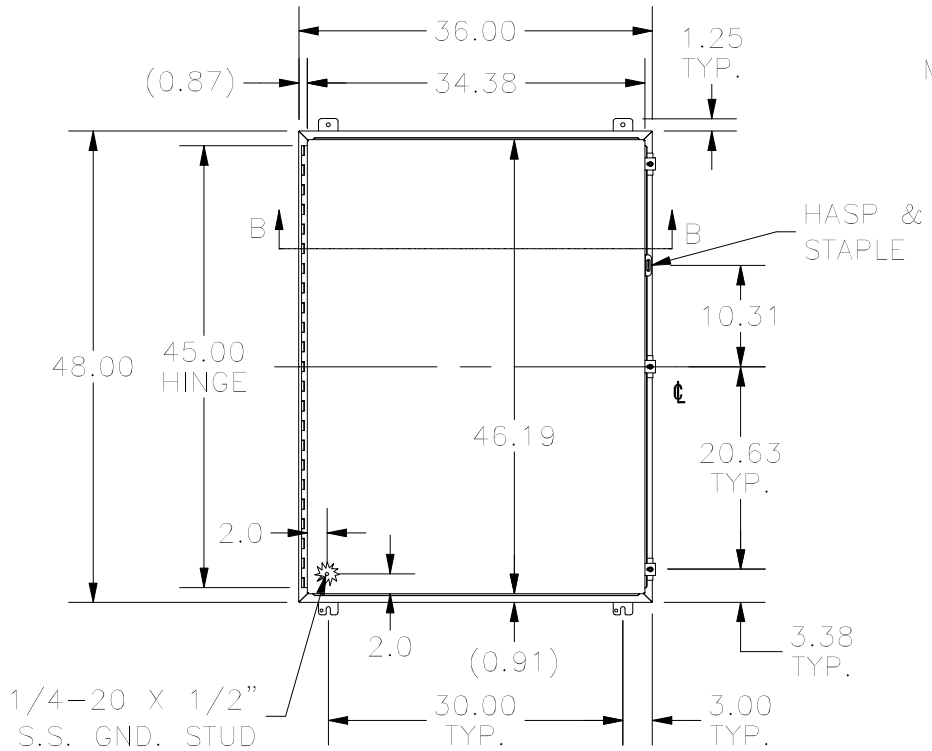


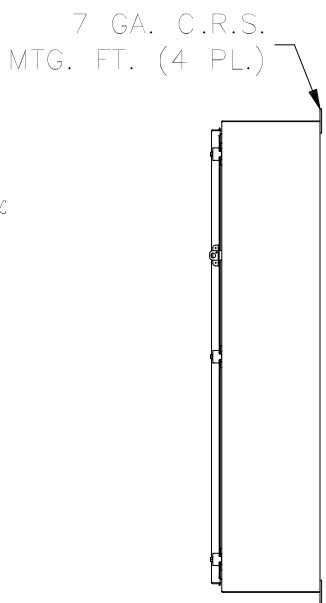
TOP VIEW



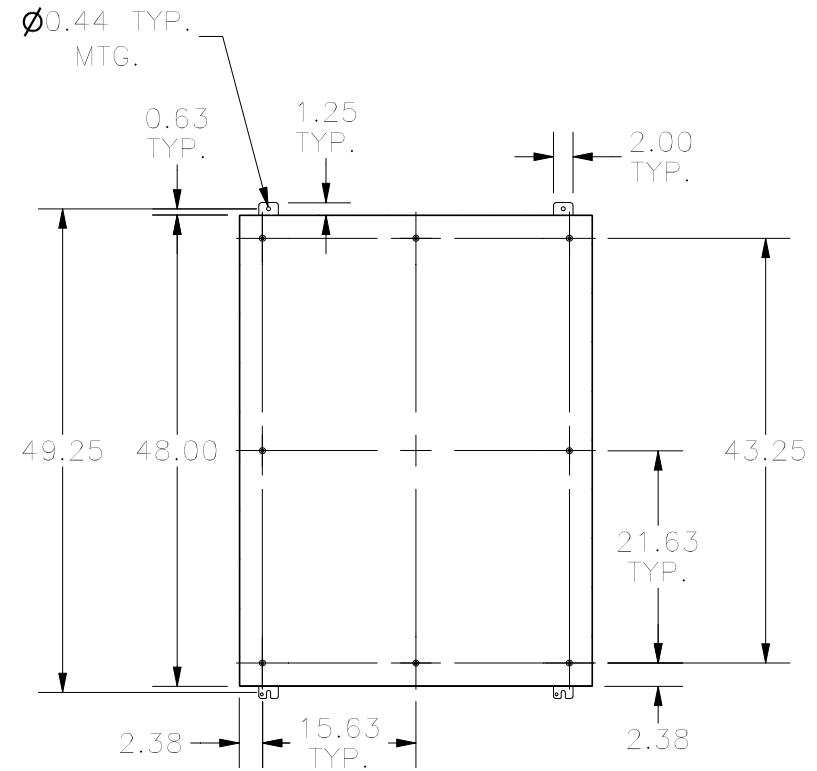
LEFT SIDE



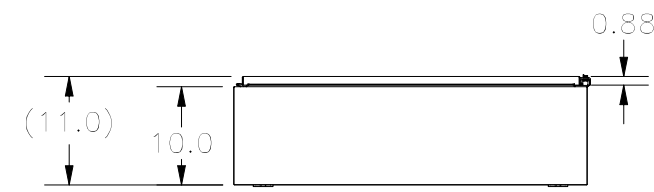
FRONT VIEW



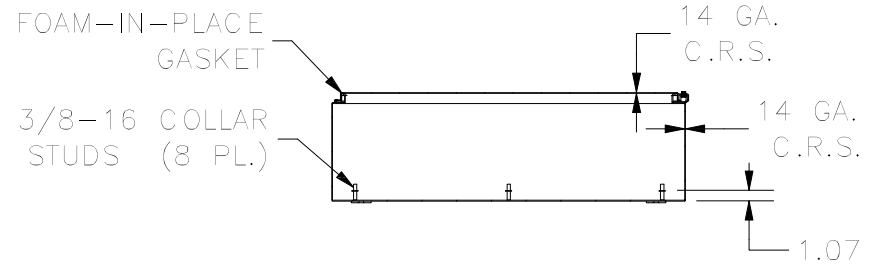
RIGHT SIDE



SECTION A-A
(INSIDE BACK OF TUB)



BOTTOM VIEW



SECTION B-B
(INSIDE TOP OF ENCLOSURE)

PART#: N12483610
(DATA SUBJECT TO CHANGE WITHOUT NOTICE)

THIS DRAWING IS PROPERTY OF HUBBELL INC. WIEGMANN
ALL INFORMATION IS PROPRIETARY AND NOT TO BE DUPLICATED