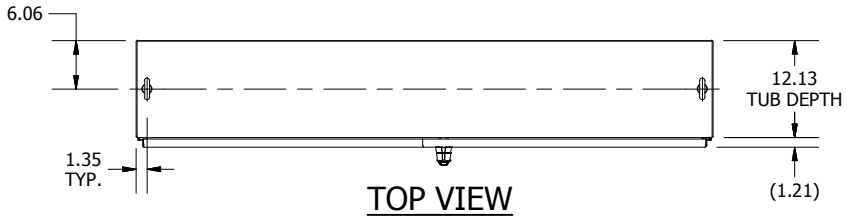
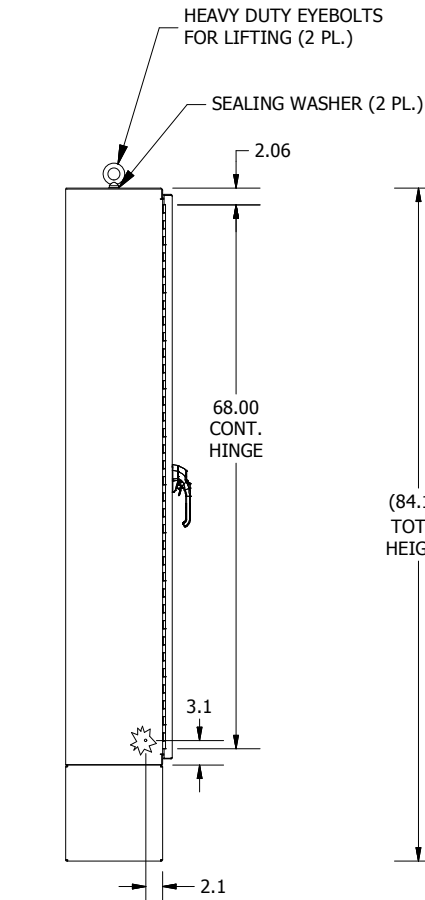


**PART#: N12727212**  
**(DATA SUBJECT TO CHANGE WITHOUT NOTICE)**

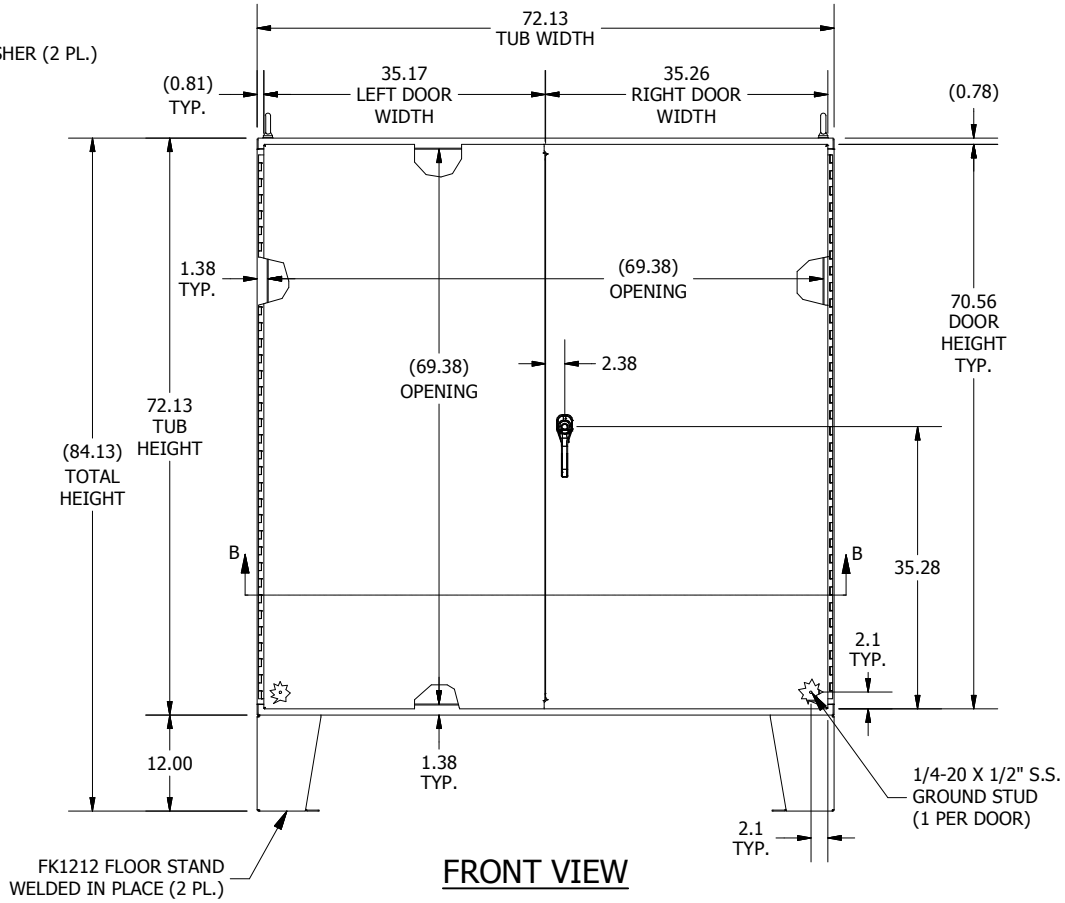
THIS DRAWING IS PROPERTY OF HUBBELL INC. WIEGMANN ALL INFORMATION IS PROPRIETARY AND NOT TO BE DUPLICATED



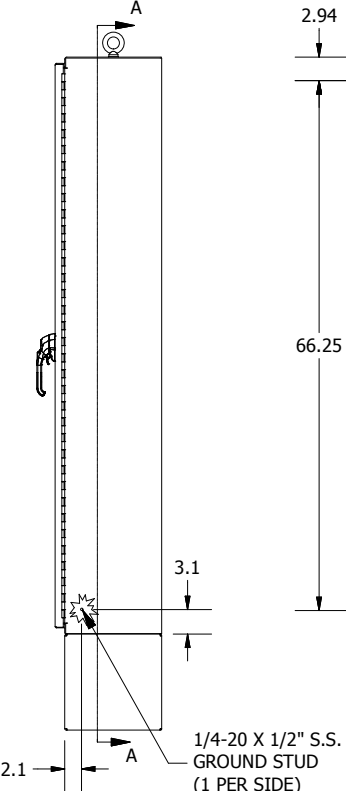
**TOP VIEW**



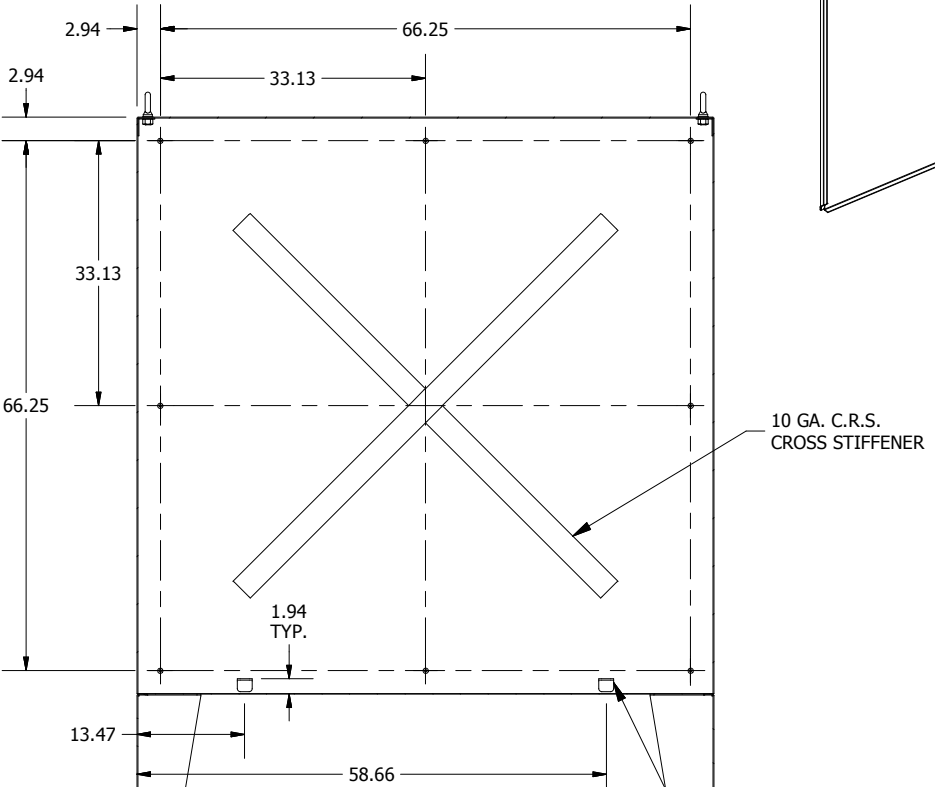
**LEFT SIDE VIEW**



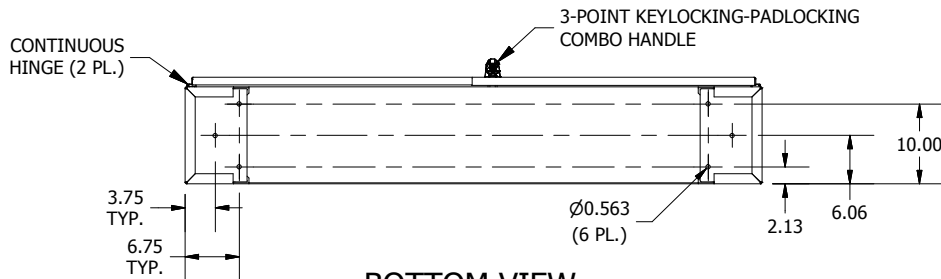
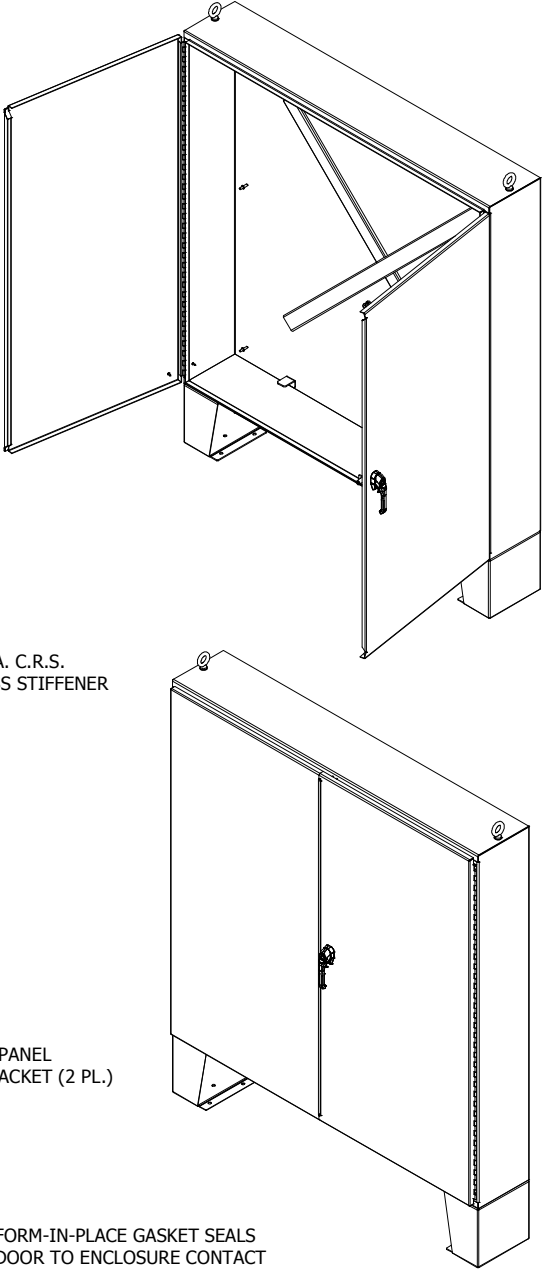
**FRONT VIEW**



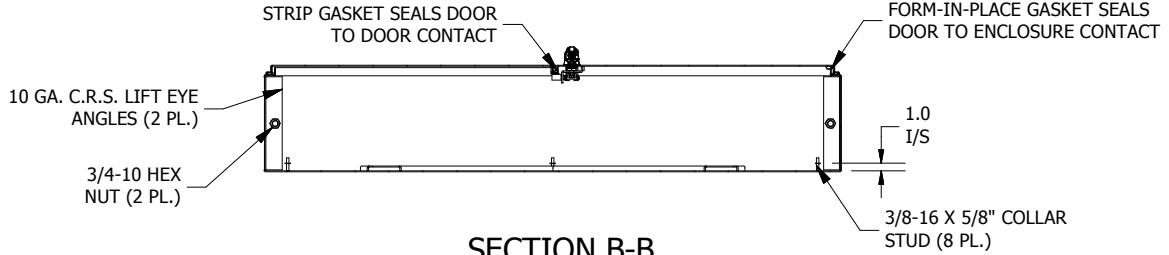
**RIGHT SIDE VIEW**



**SECTION A-A  
(INSIDE BACK OF ENCL.)**



**BOTTOM VIEW**



**SECTION B-B  
(INSIDE TOP OF ENCL.)**