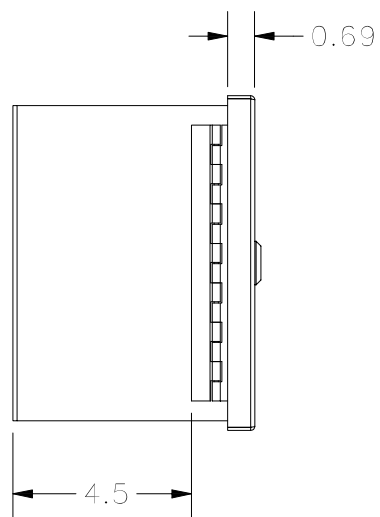
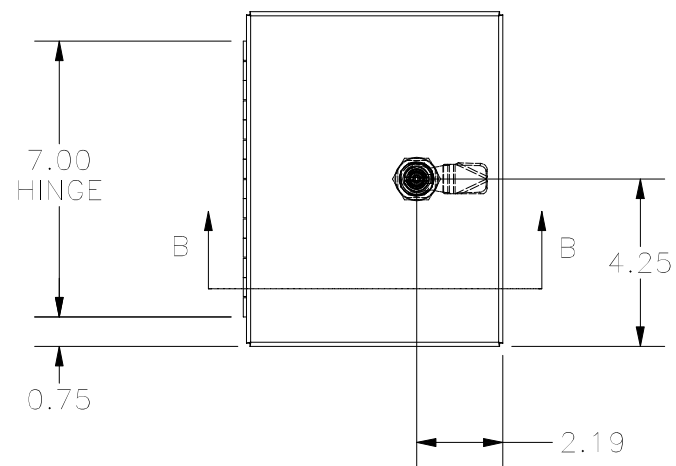


TOP VIEW

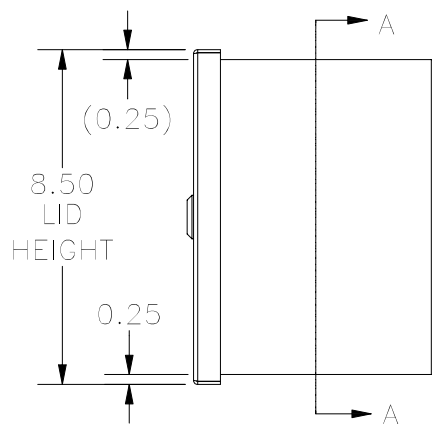
QUARTER TURN
SLOTTED FLUSH
CAM LATCH
INSTALLED



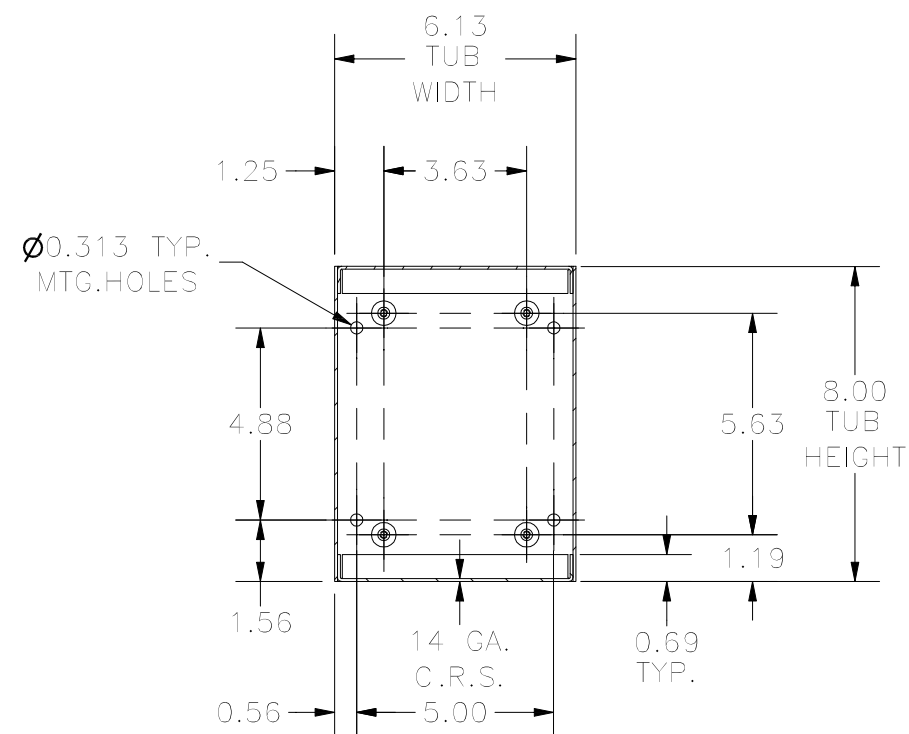
LEFT SIDE VIEW



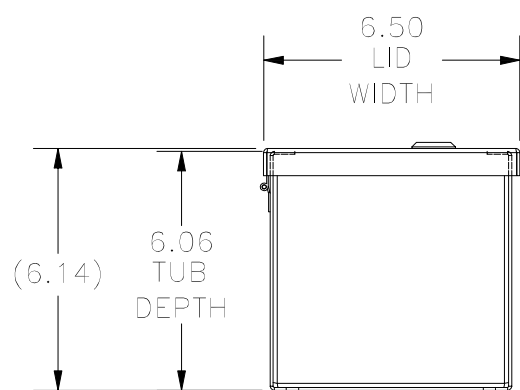
FRONT VIEW



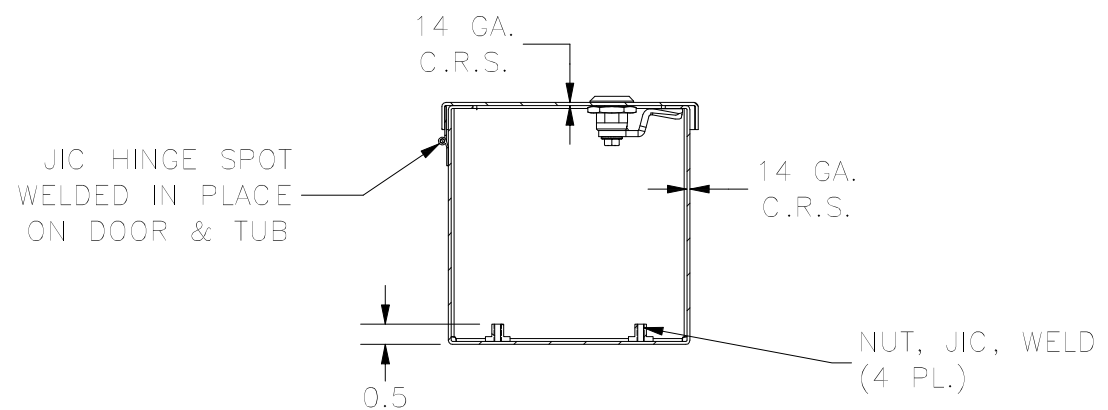
RIGHT SIDE VIEW



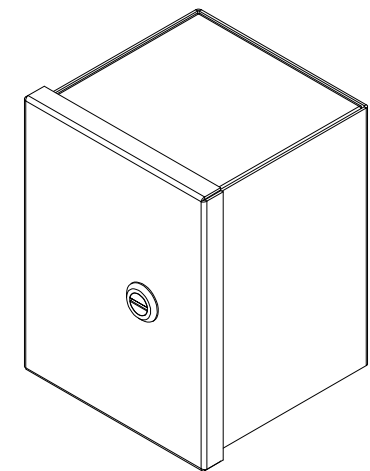
**SECTION A-A VIEW
(INSIDE BACK OF ENCL.)**



BOTTOM VIEW



**SECTION B-B VIEW
(INSIDE TOP OF ENCL.)**



PART#: N1C060806
(DATA SUBJECT TO CHANGE WITHOUT NOTICE)

THIS DRAWING IS PROPERTY OF HUBBELL INC. WIEGMANN
ALL INFORMATION IS PROPRIETARY AND NOT TO BE DUPLICATED