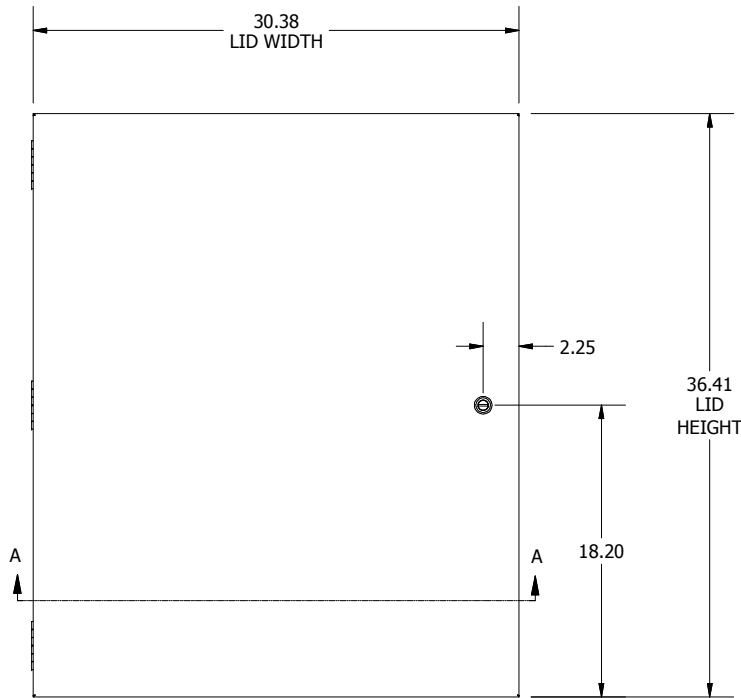
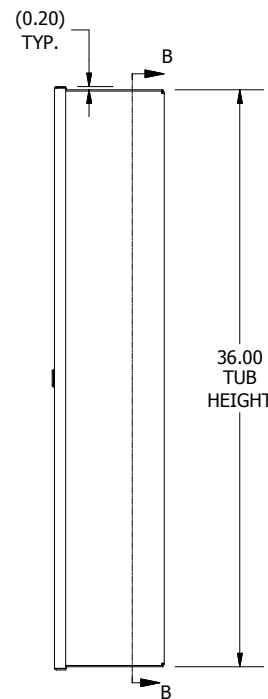


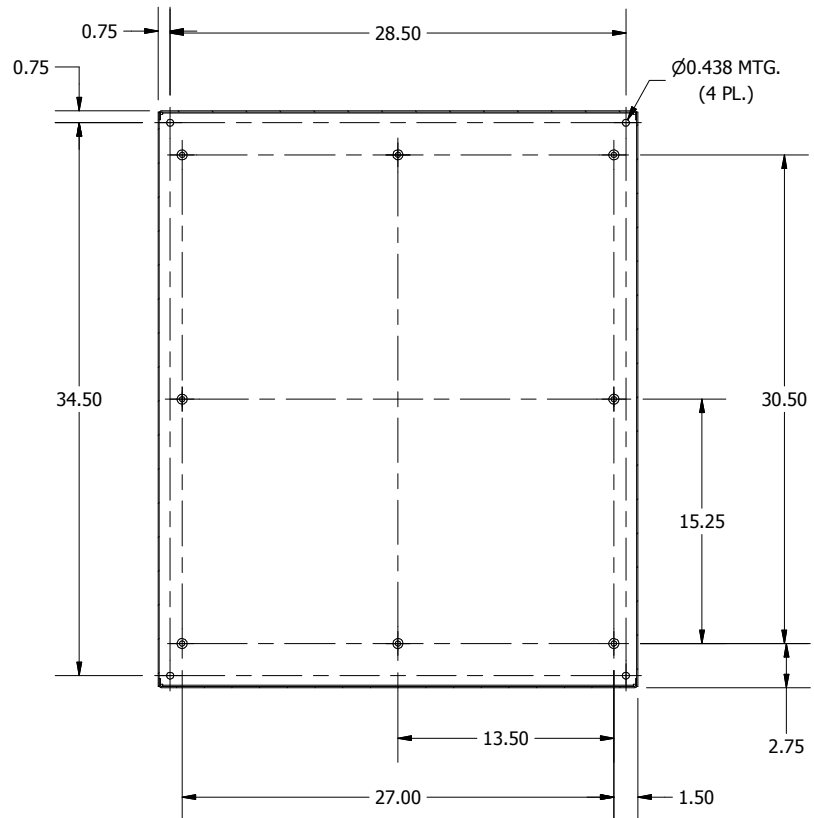
TOP VIEW



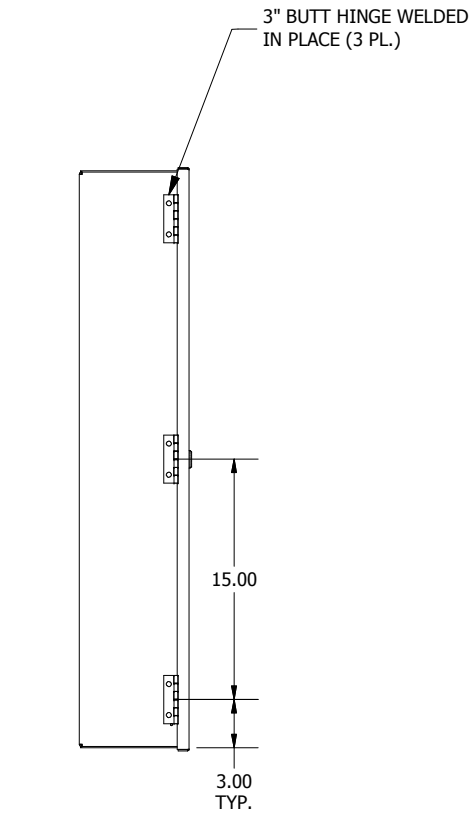
FRONT VIEW



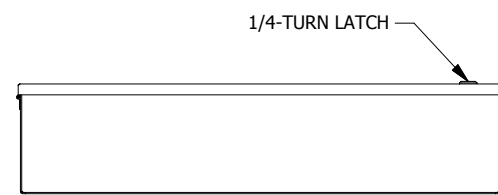
RIGHT SIDE VIEW



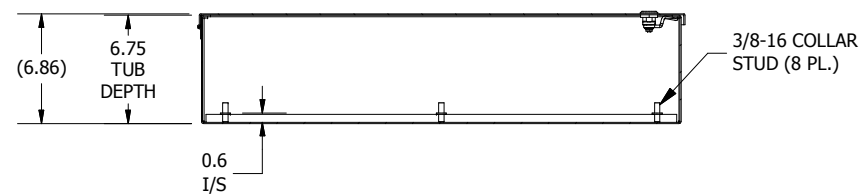
SECTION B-B
(INSIDE BACK OF ENCL.)



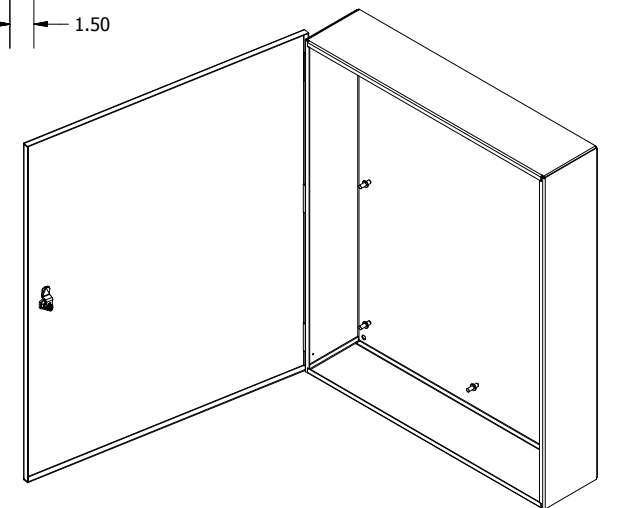
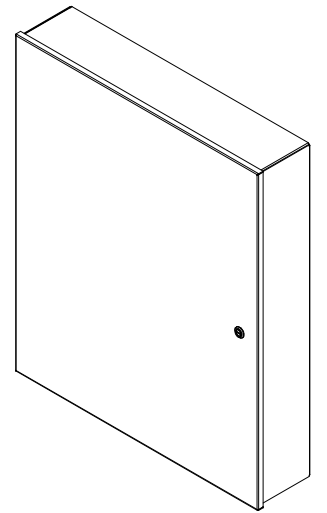
LEFT SIDE VIEW



BOTTOM VIEW



SECTION A-A
(INSIDE TOP OF ENCL.)



PART#: HWDN1C303606LP
(DATA SUBJECT TO CHANGE WITHOUT NOTICE)

THIS DRAWING IS PROPERTY OF HUBBELL INC. WIEGMANN
 ALL INFORMATION IS PROPRIETARY AND NOT TO BE DUPLICATED