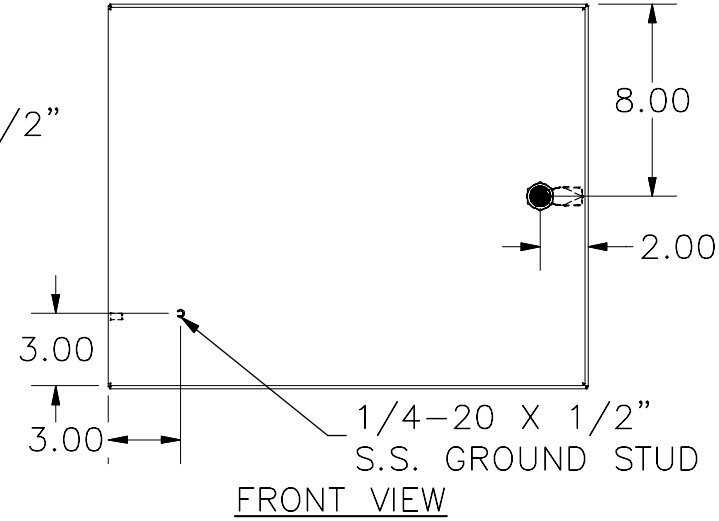
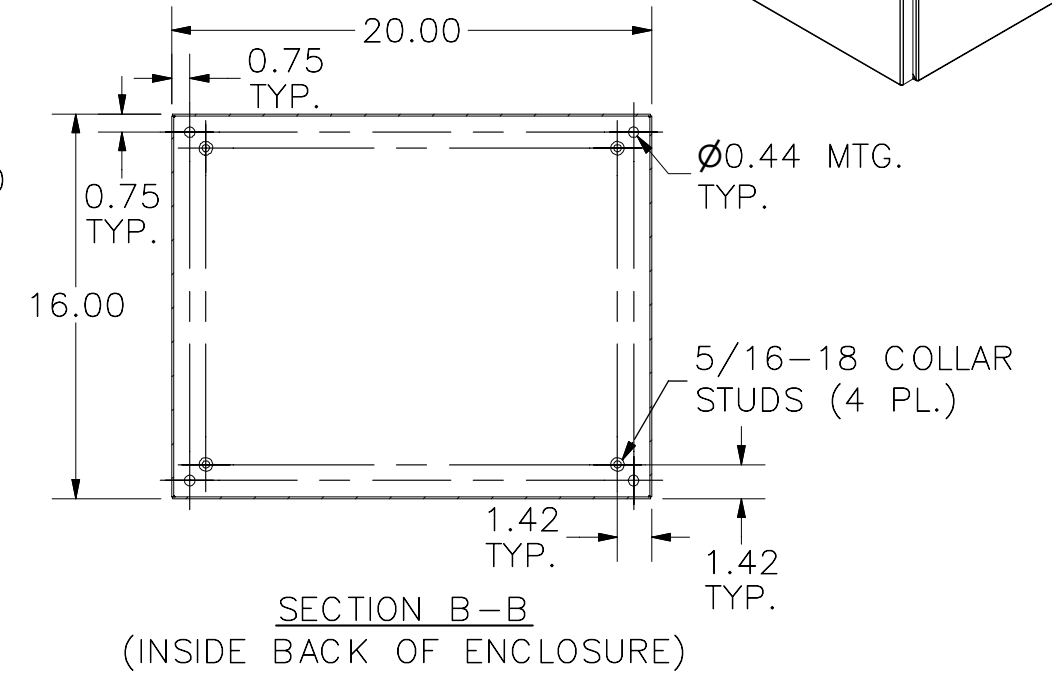
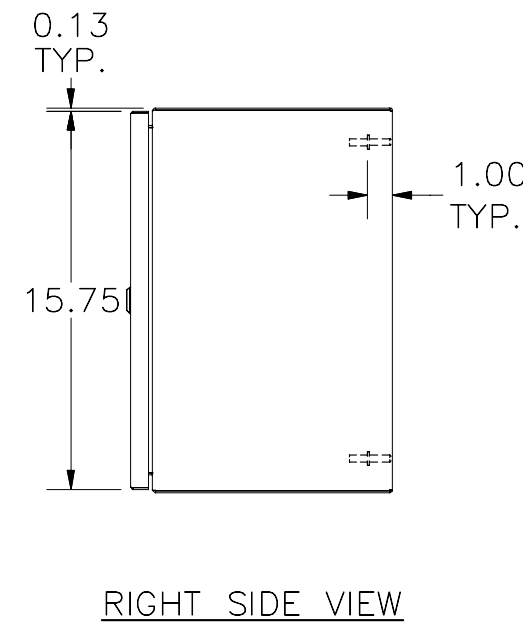


1/4-20 X 1/2"
S.S. GROUND
STUD

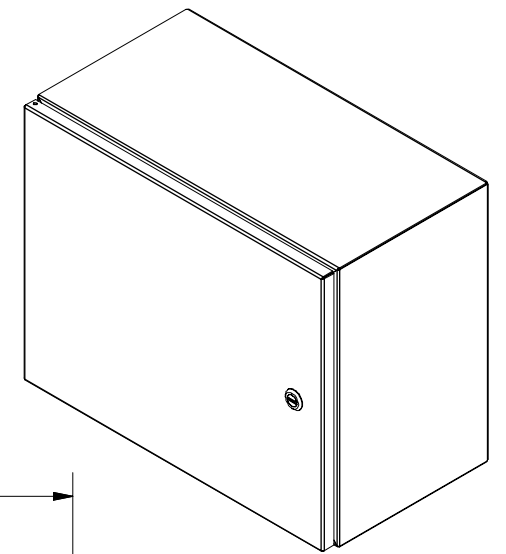
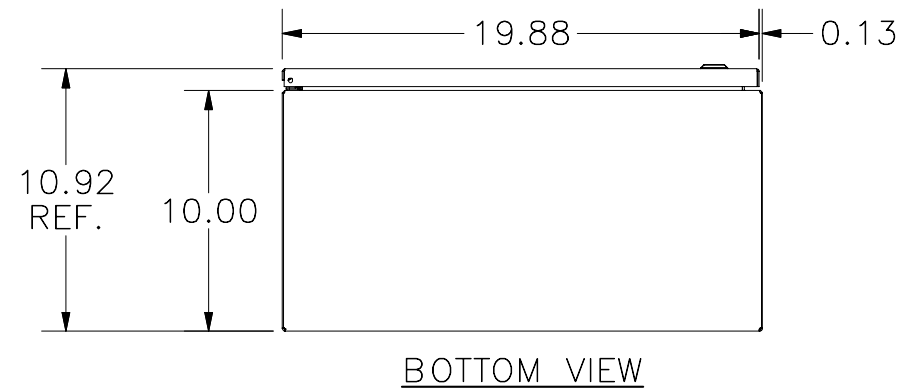


1/4-20 X 1/2"
S.S. GROUND
STUD



Ø0.44 MTG.
TYP.

5/16-18 COLLAR
STUDS (4 PL.)



PART#: N412162010CLG
(DATA SUBJECT TO CHANGE WITHOUT NOTICE)