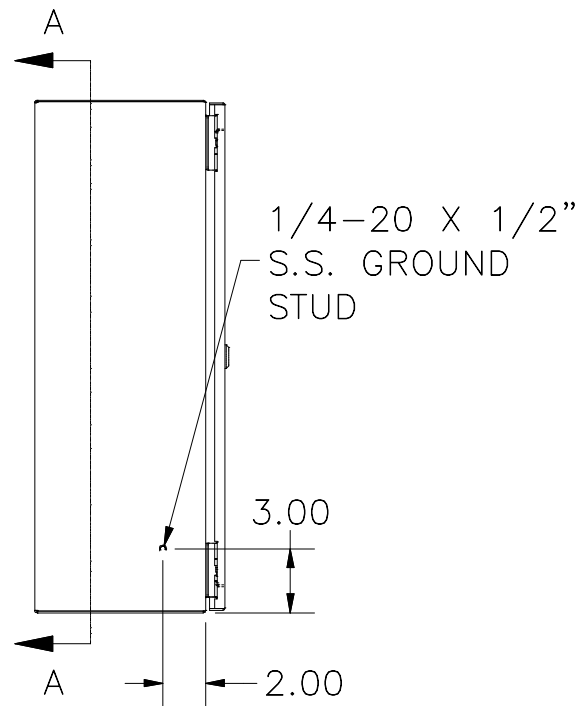
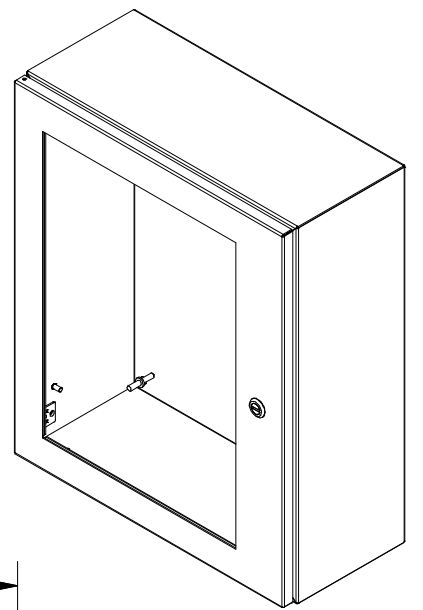
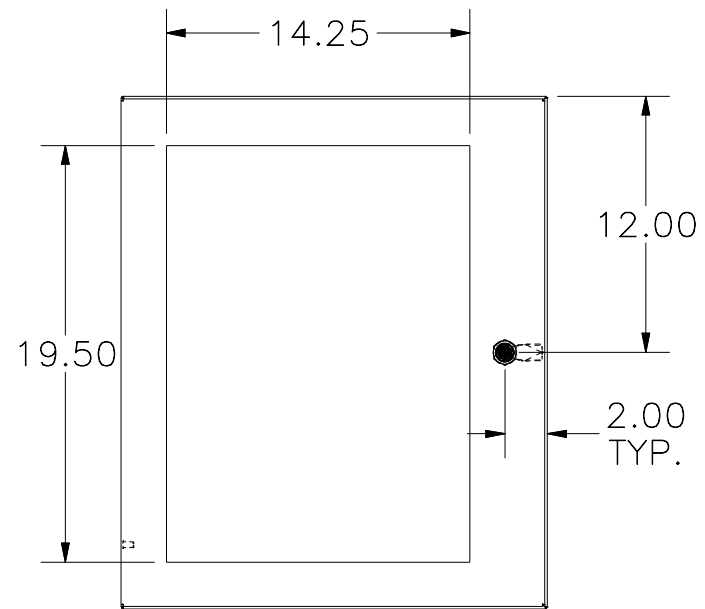


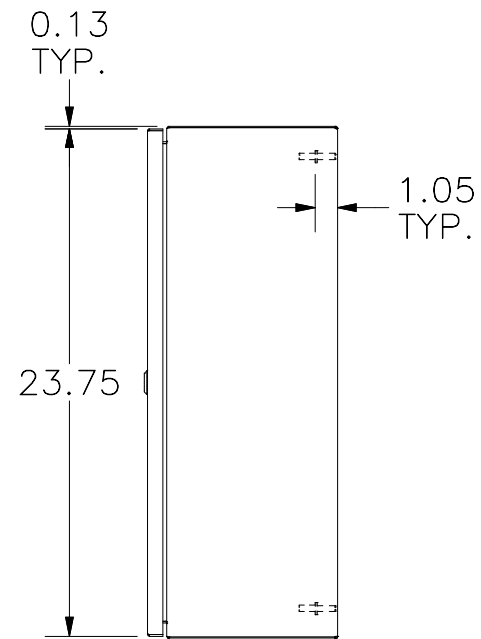
TOP VIEW



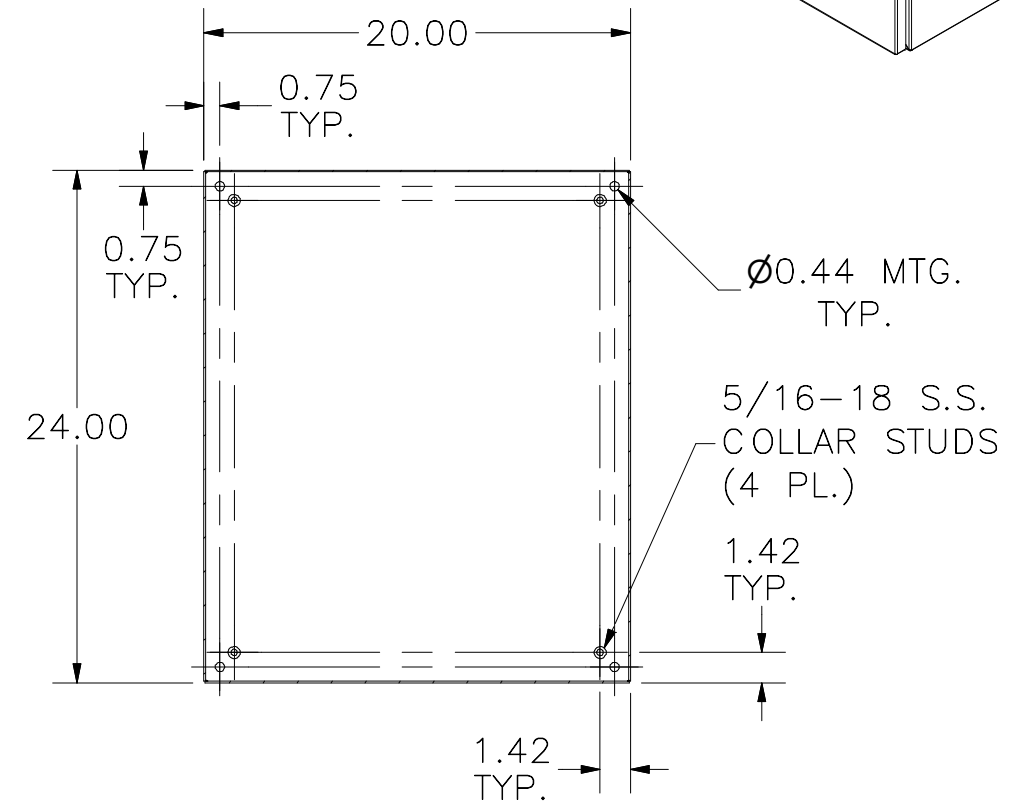
LEFT SIDE VIEW



FRONT VIEW

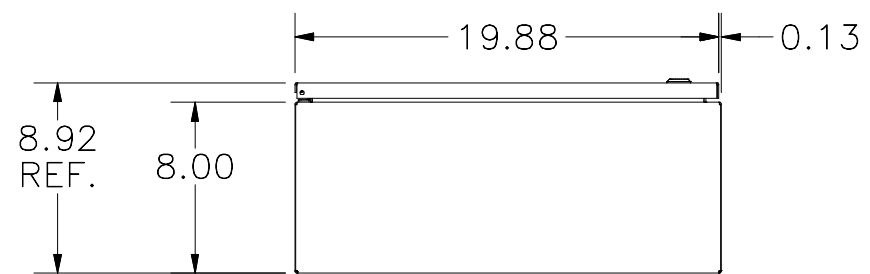


RIGHT SIDE VIEW



SECTION A-A

(INSIDE BACK OF ENCLOSURE)



BOTTOM VIEW

PART#: N412242008WCLG
 (DATA SUBJECT TO CHANGE WITHOUT NOTICE)