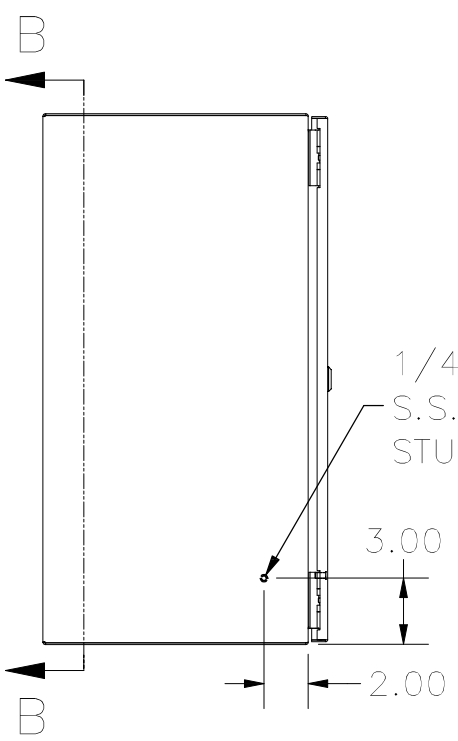


TOP VIEW

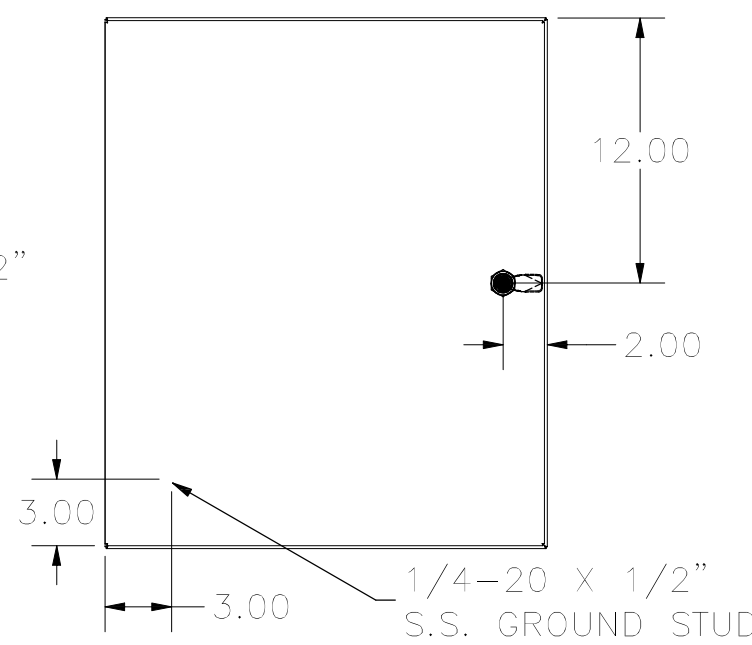


1/4-20 X 1/2"
S.S. GROUND
STUD

3.00

2.00

LEFT SIDE VIEW



12.00

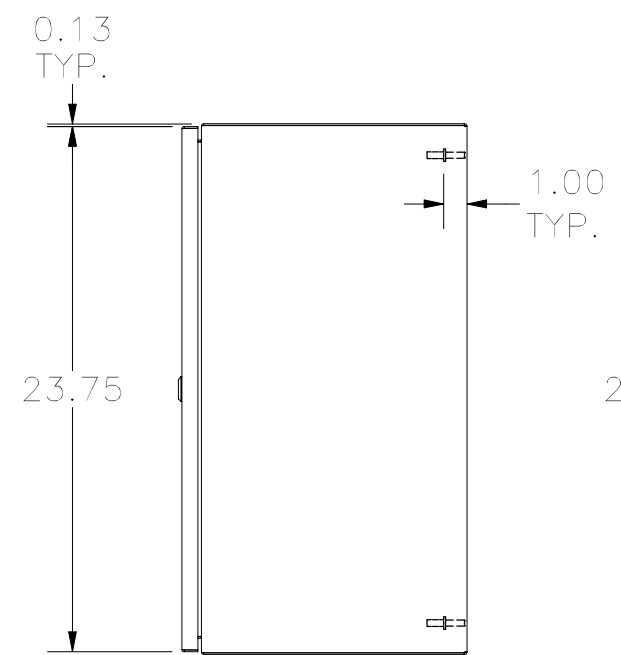
2.00

3.00

3.00

1/4-20 X 1/2"
S.S. GROUND STUD

FRONT VIEW

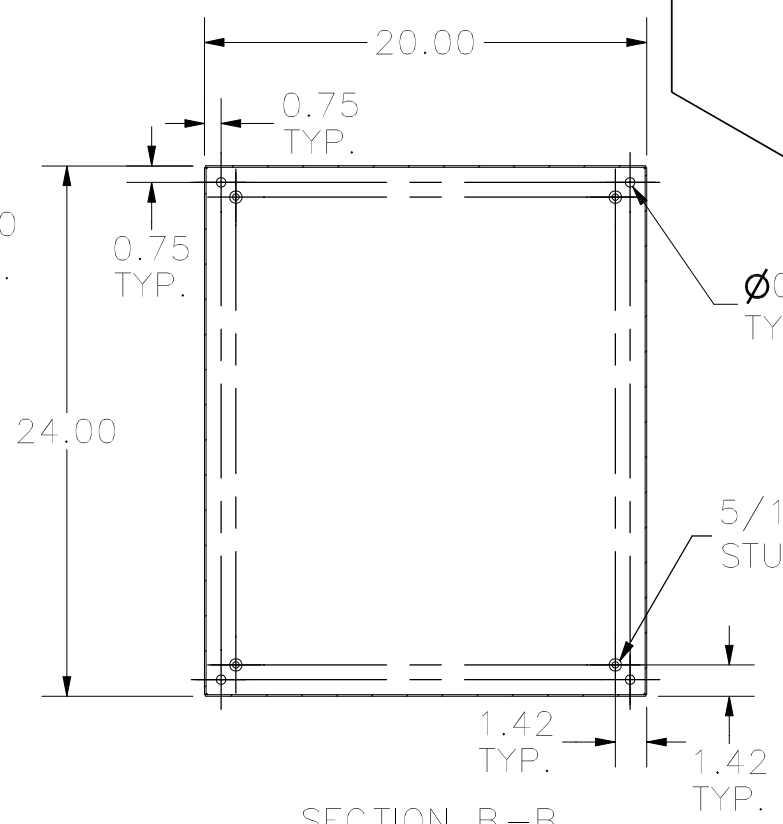


0.13
TYP.

23.75

1.00
TYP.

RIGHT SIDE VIEW



20.00

0.75
TYP.

0.75
TYP.

24.00

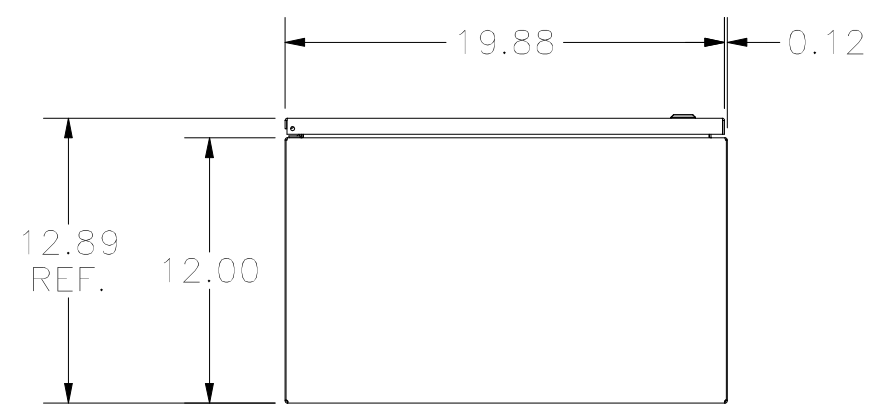
1.42
TYP.

1.42
TYP.

Ø0.44 MTG.
TYP.

5/16-18 COLLAR
STUDS (4 PL.)

SECTION B-B
(INSIDE BACK OF ENCLOSURE)



19.88

0.12

12.89
REF.

12.00

BOTTOM VIEW

PART#: N412242012C
(DATA SUBJECT TO CHANGE WITHOUT NOTICE)

THIS DRAWING IS PROPERTY OF HUBBELL INC. WIEGMANN
ALL INFORMATION IS PROPRIETARY AND NOT TO BE DUPLICATED