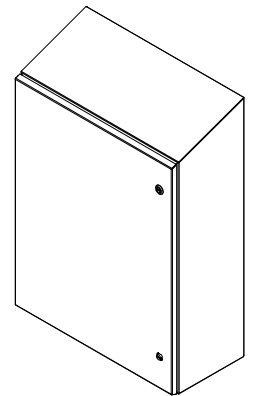
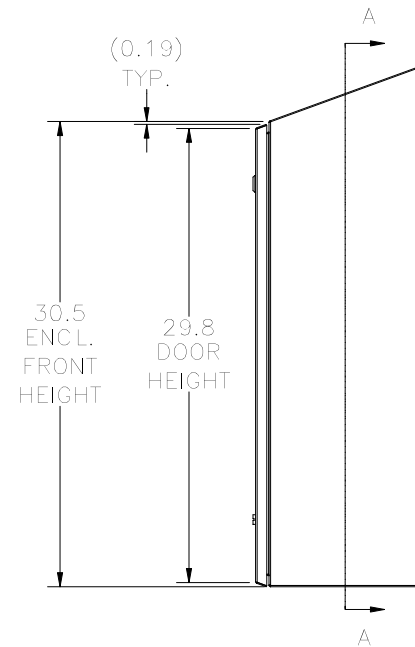
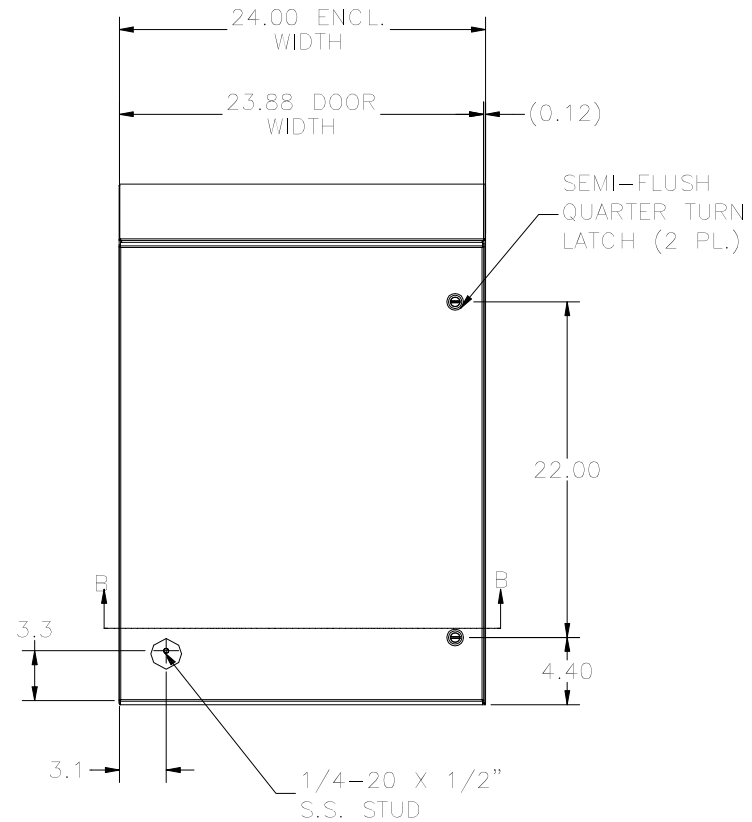


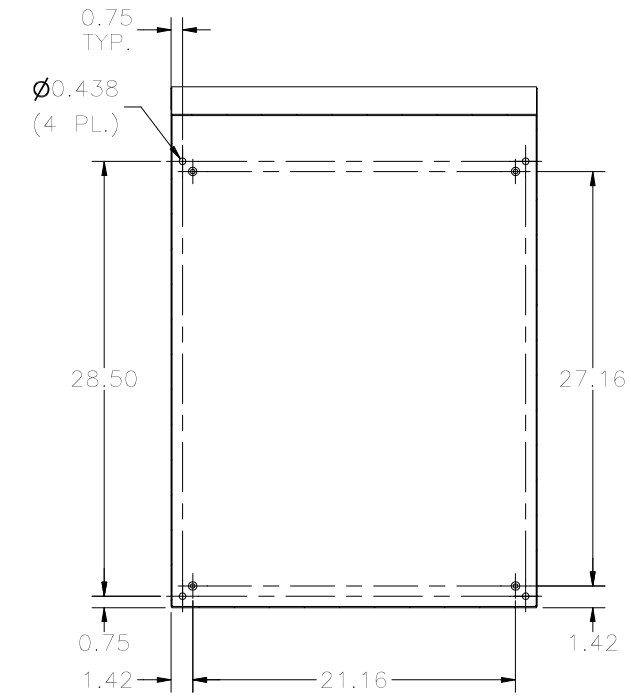
REF. VIEW (DOOR OPEN)



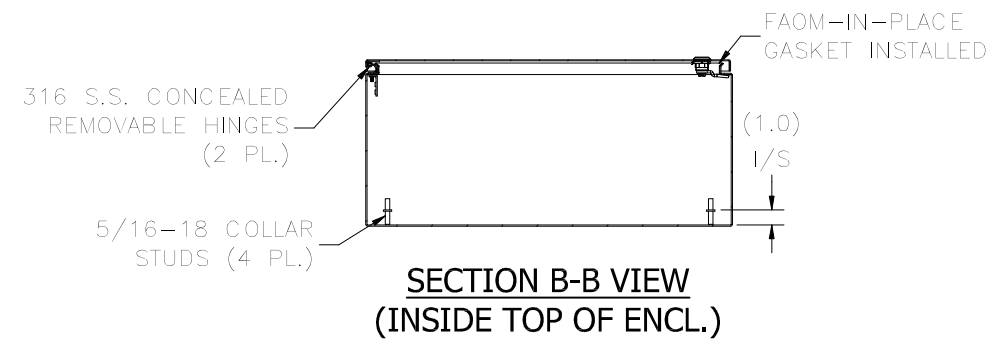
REF. VIEW (DOOR CLOSED)



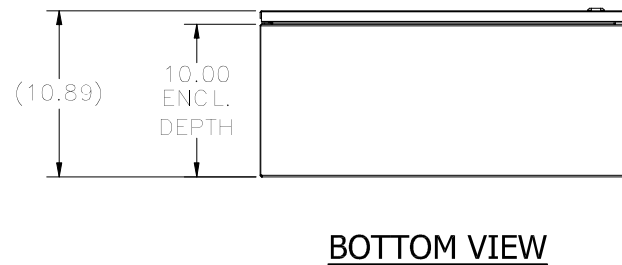
RIGHT SIDE VIEW



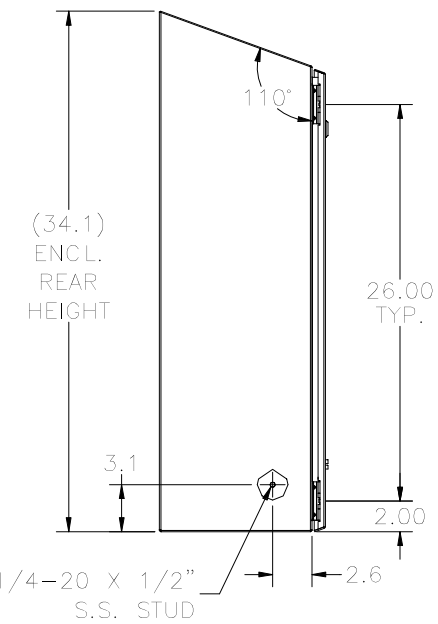
SECTION A-A VIEW (INSIDE BACK OF ENCL.)



SECTION B-B VIEW (INSIDE TOP OF ENCL.)



BOTTOM VIEW



LEFT SIDE VIEW

PART#: N412302410C ST
 (DATA SUBJECT TO CHANGE WITHOUT NOTICE)

THIS DRAWING IS PROPERTY OF HUBBELL INC. WIEGMANN
 ALL INFORMATION IS PROPRIETARY AND NOT TO BE DUPLICATED