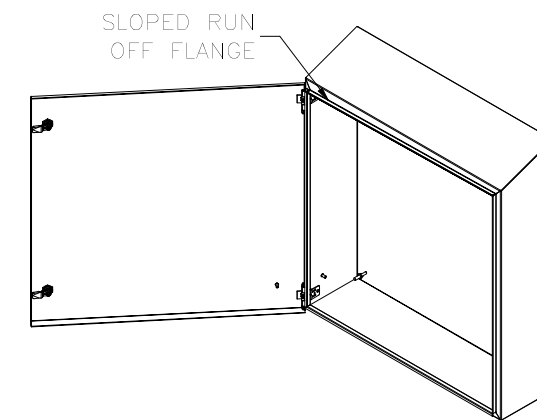
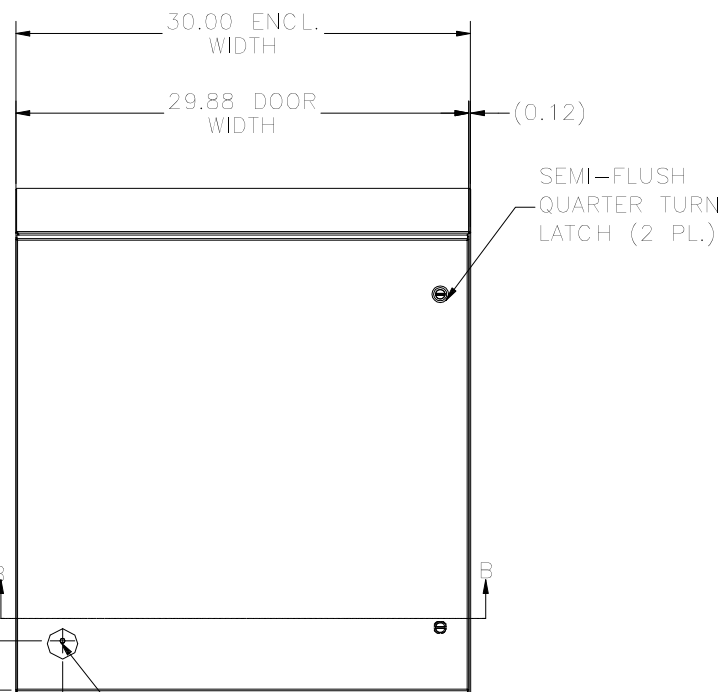


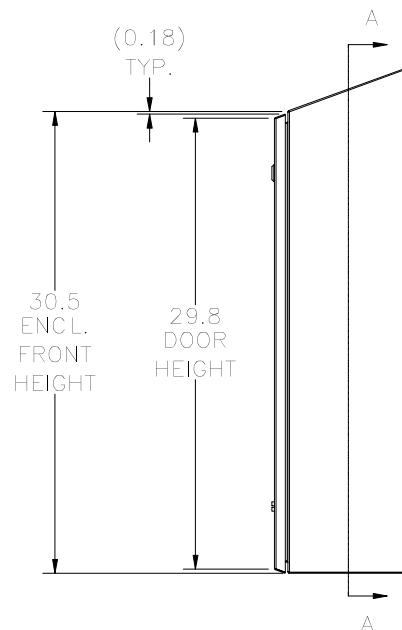
TOP VIEW



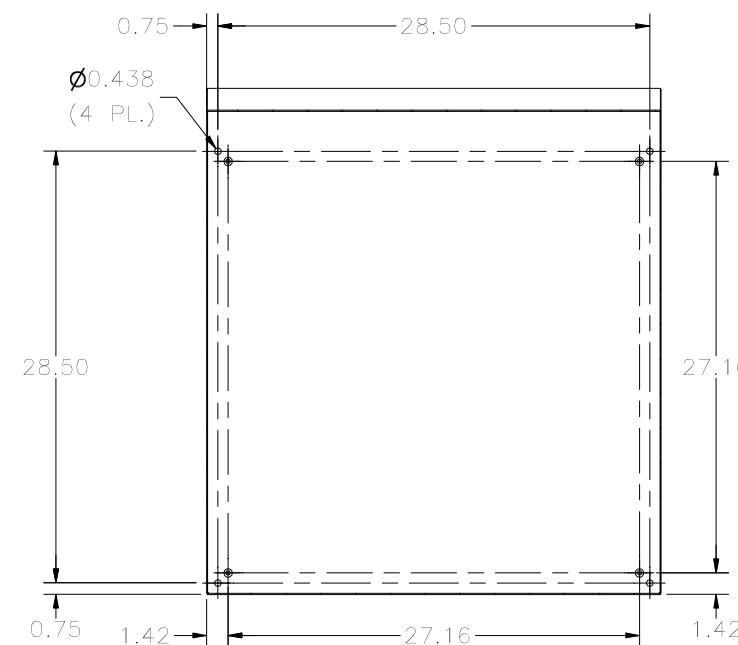
**REF. VIEW
(DOOR OPEN)**



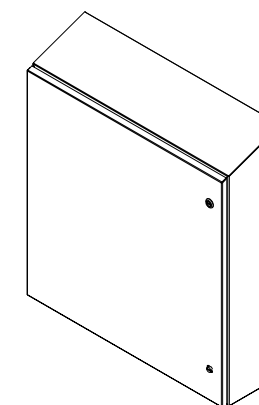
FRONT VIEW



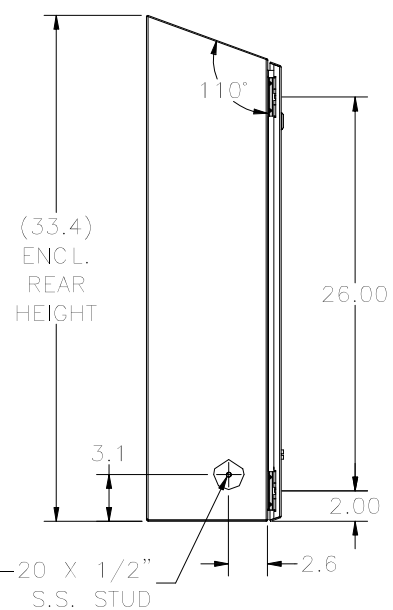
RIGHT SIDE VIEW



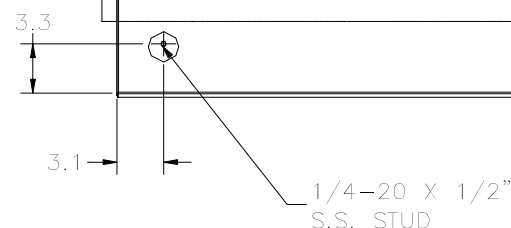
**SECTION A-A VIEW
(INSIDE BACK OF ENCL.)**



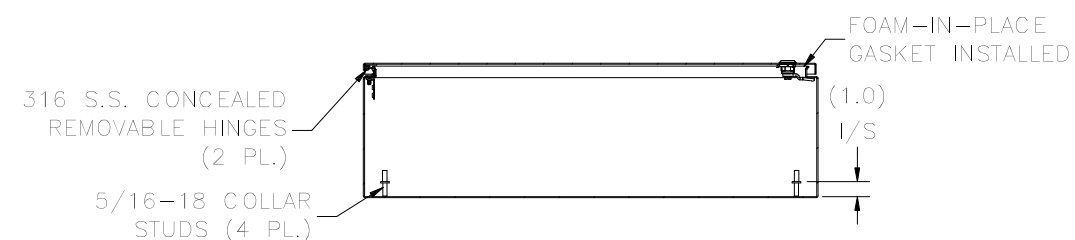
**REF. VIEW
(DOOR CLOSED)**



LEFT SIDE VIEW



BOTTOM VIEW



**SECTION B-B VIEW
(INSIDE TOP OF ENCL.)**

PART#: N412303008C ST
(DATA SUBJECT TO CHANGE WITHOUT NOTICE)

THIS DRAWING IS PROPERTY OF HUBBELL INC. WIEGMANN
ALL INFORMATION IS PROPRIETARY AND NOT TO BE DUPLICATED