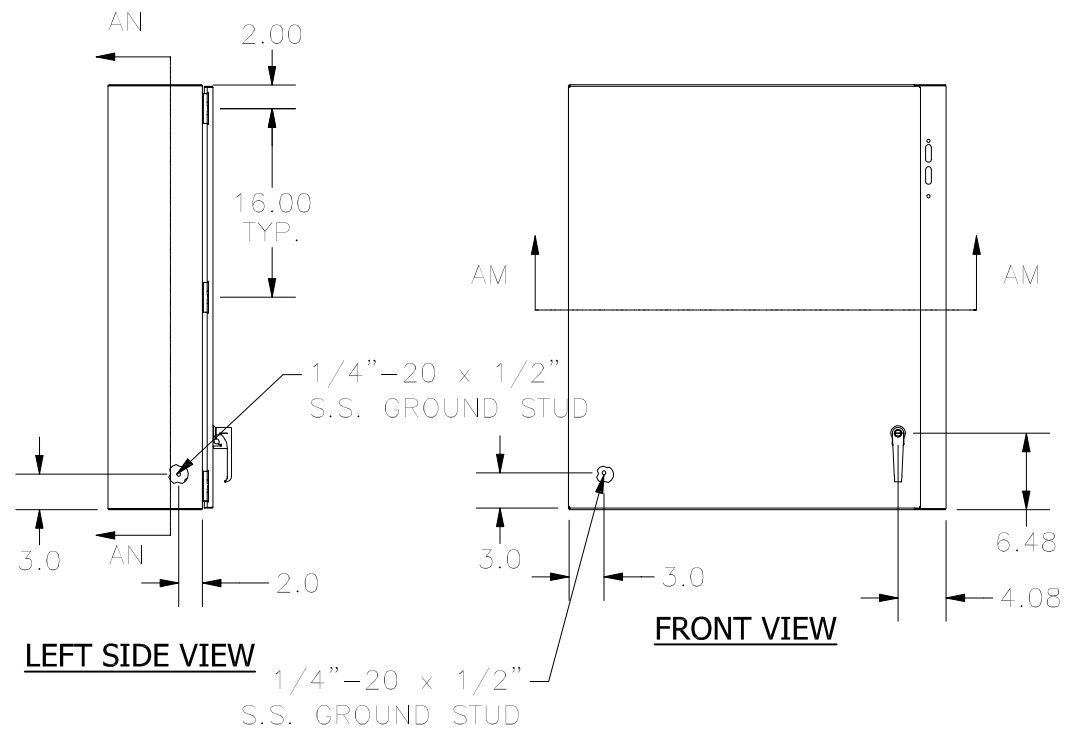
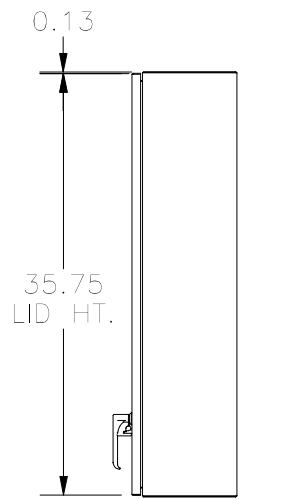


**TOP VIEW**

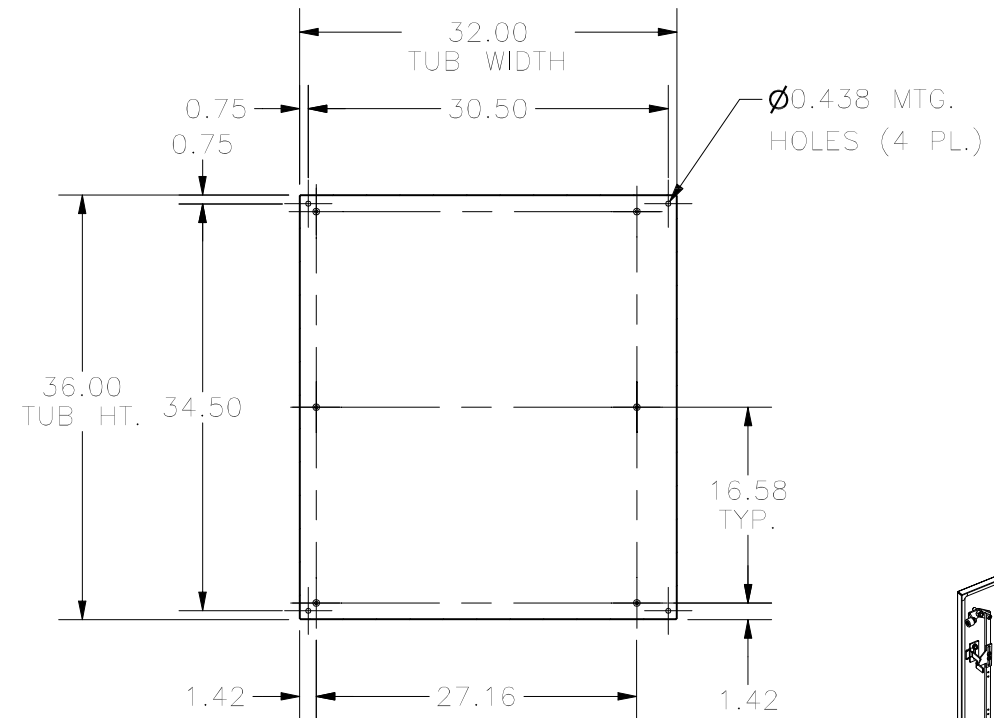


**LEFT SIDE VIEW**

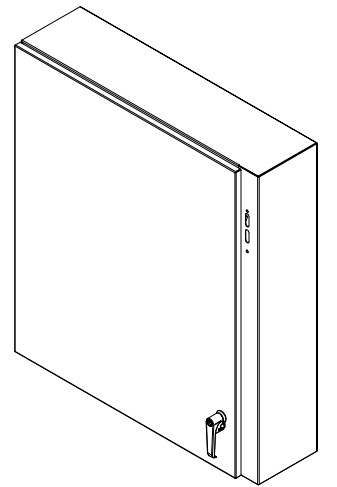
**FRONT VIEW**



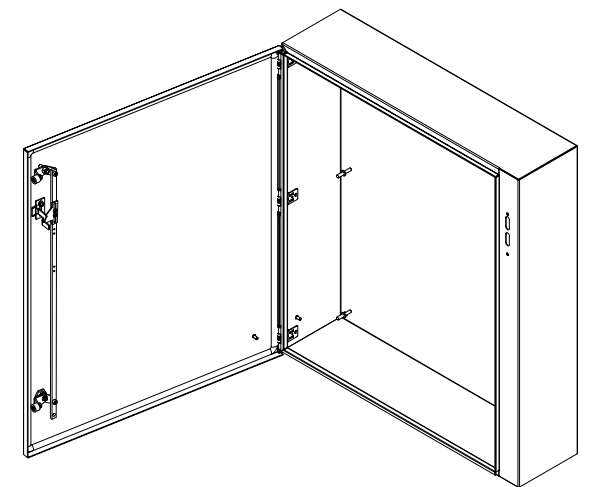
**RIGHT SIDE VIEW**



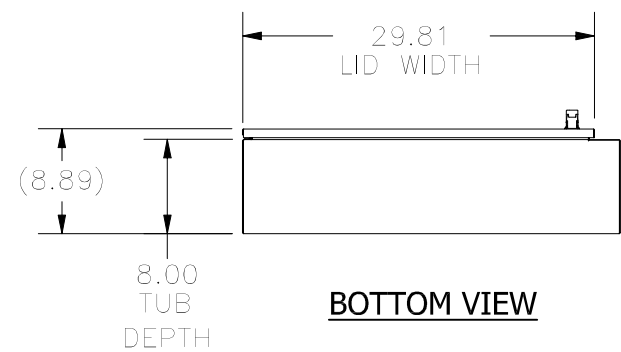
**SECTION AN-AN  
(INSIDE BACK OF TUB)**



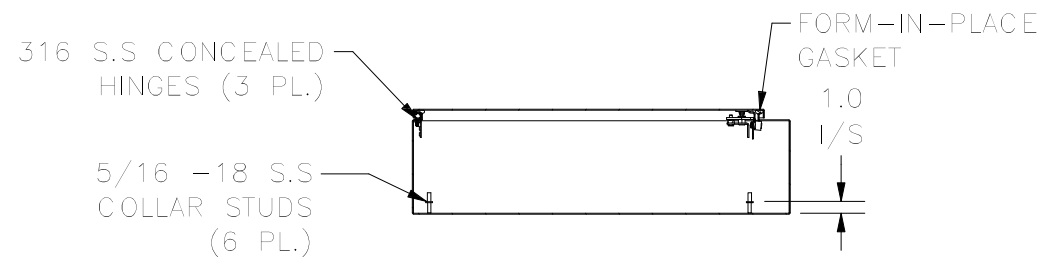
**REF. VIEW  
(DOOR CLOSED)**



**REF. VIEW  
(DOOR OPEN)**



**BOTTOM VIEW**



**SECTION AM-AM  
(INSIDE TOP OF ENCLOSURE)**

PART #: N412363208CDSSA  
(DATA SUBJECT TO CHANGE WITHOUT NOTICE.)  
THIS DRAWING IS PROPERTY OF HUBBELL INC. WIEGMANN  
ALL INFORMATION IS PROPRIETARY AND NOT TO BE DUPLICATED