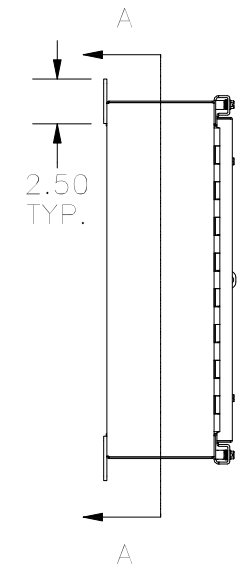
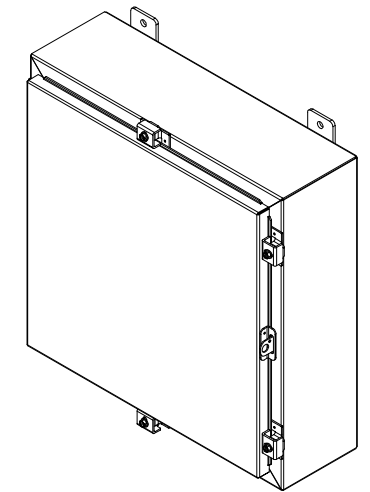
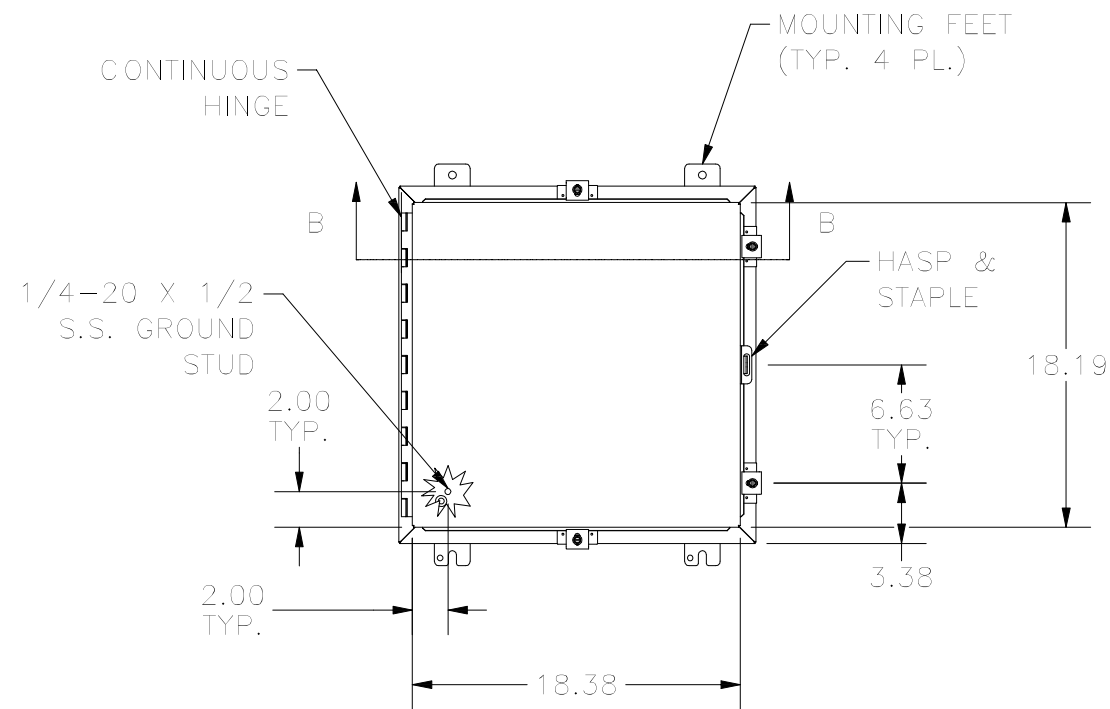


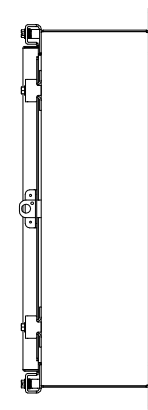
**TOP VIEW**



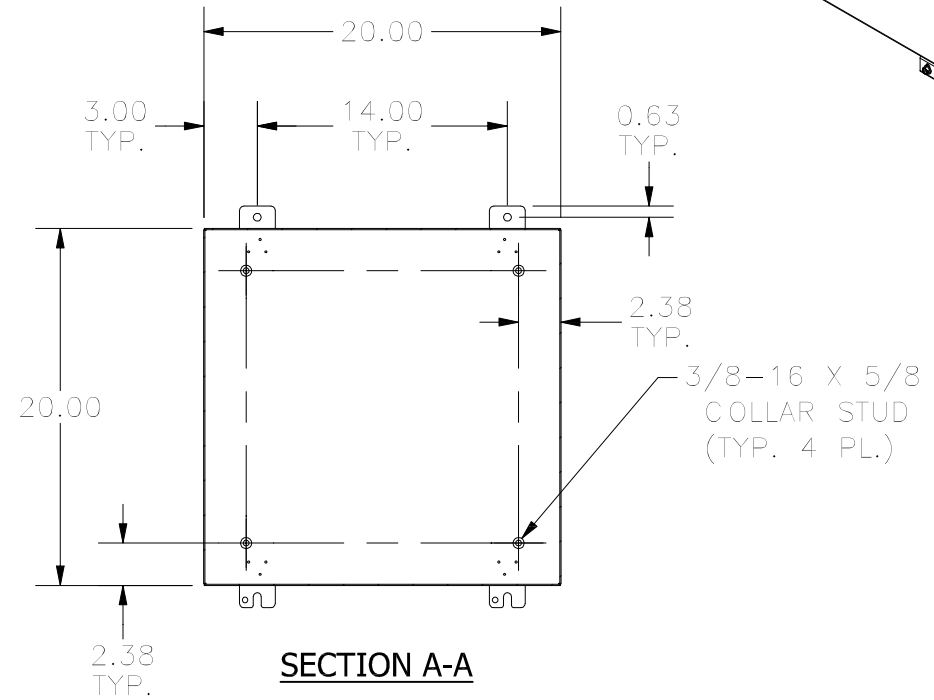
**LEFT SIDE**



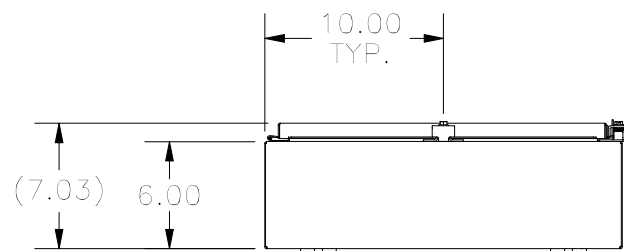
**FRONT VIEW**



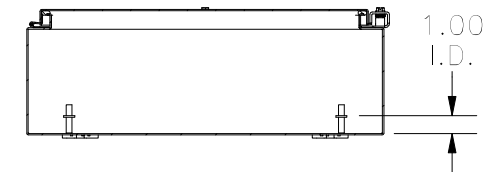
**RIGHT VIEW**



**SECTION A-A**



**BOTTOM VIEW**



**SECTION B-B**

PART#: N4202006  
 (DATA SUBJECT TO CHANGE WITHOUT NOTICE)

THIS DRAWING IS PROPERTY OF HUBBELL INC. WIEGMANN  
 ALL INFORMATION IS PROPRIETARY AND NOT TO BE DUPLICATED