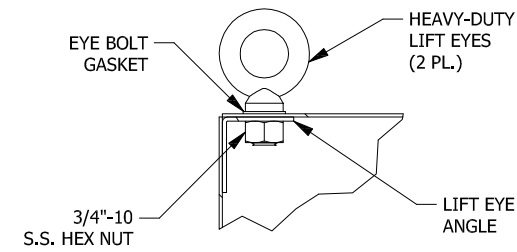
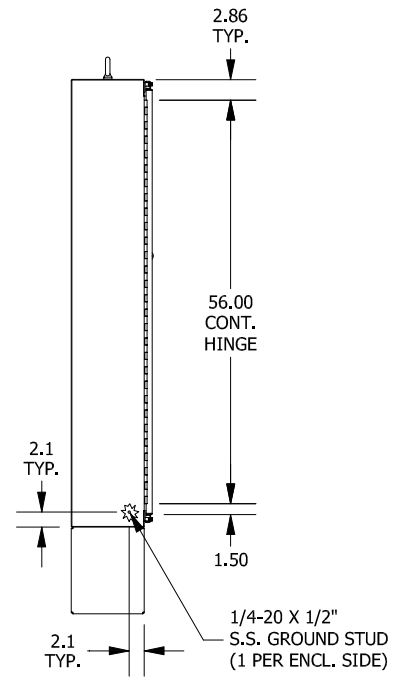
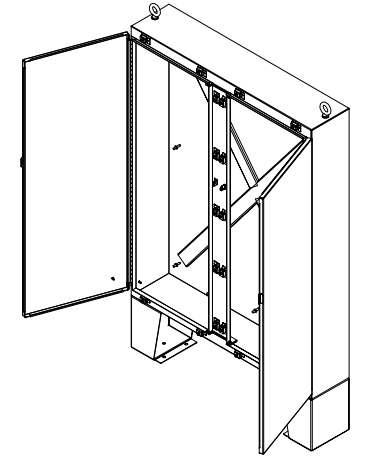


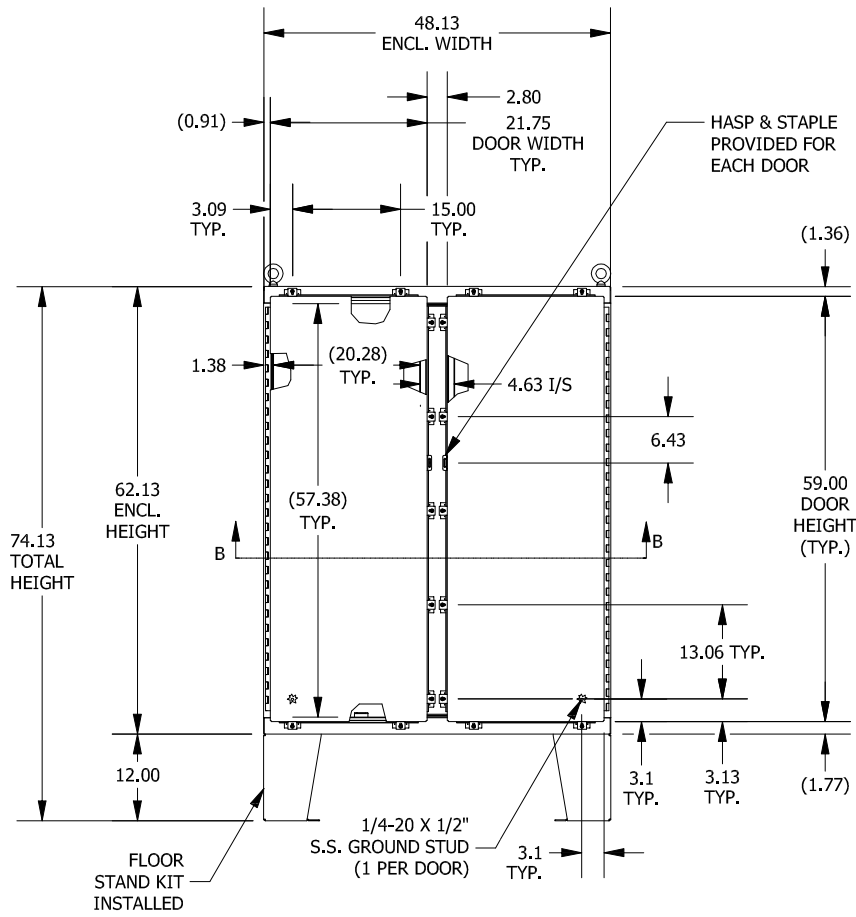
**TOP VIEW**



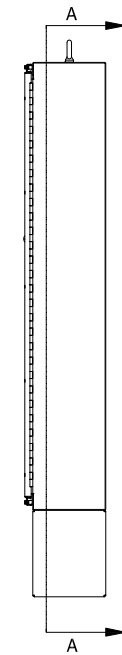
**DETAIL AD  
(LIFT EYE ASSEMBLY VIEW)**



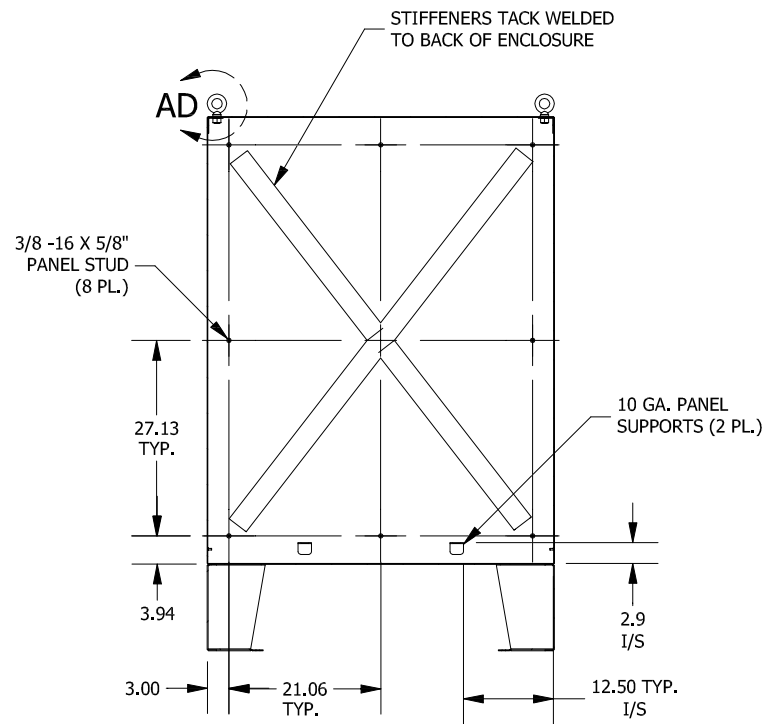
**LEFT SIDE VIEW**



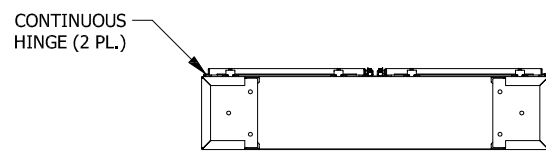
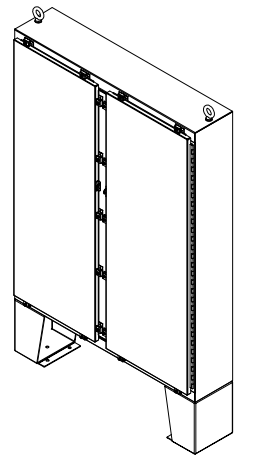
**FRONT VIEW**



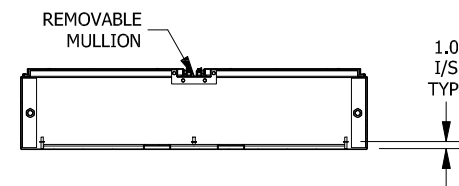
**RIGHT SIDE VIEW**



**SECTION A-A  
(INSIDE BACK VIEW OF ENCLOSURE)**



**BOTTOM VIEW**



**SECTION B-B  
(INSIDE VIEW OF TOP)**

PART#: N4D624810  
(DATA SUBJECT TO CHANGE  
WITHOUT NOTICE)

THIS DRAWING IS PROPERTY OF HUBBELL INC.  
WIEGMANN  
ALL INFORMATION IS PROPRIETARY AND NOT TO BE  
DUPLICATED