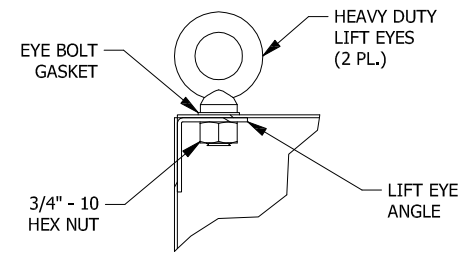
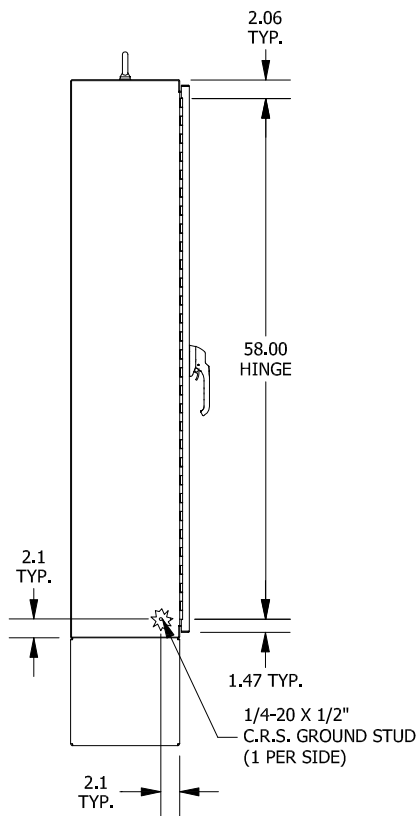


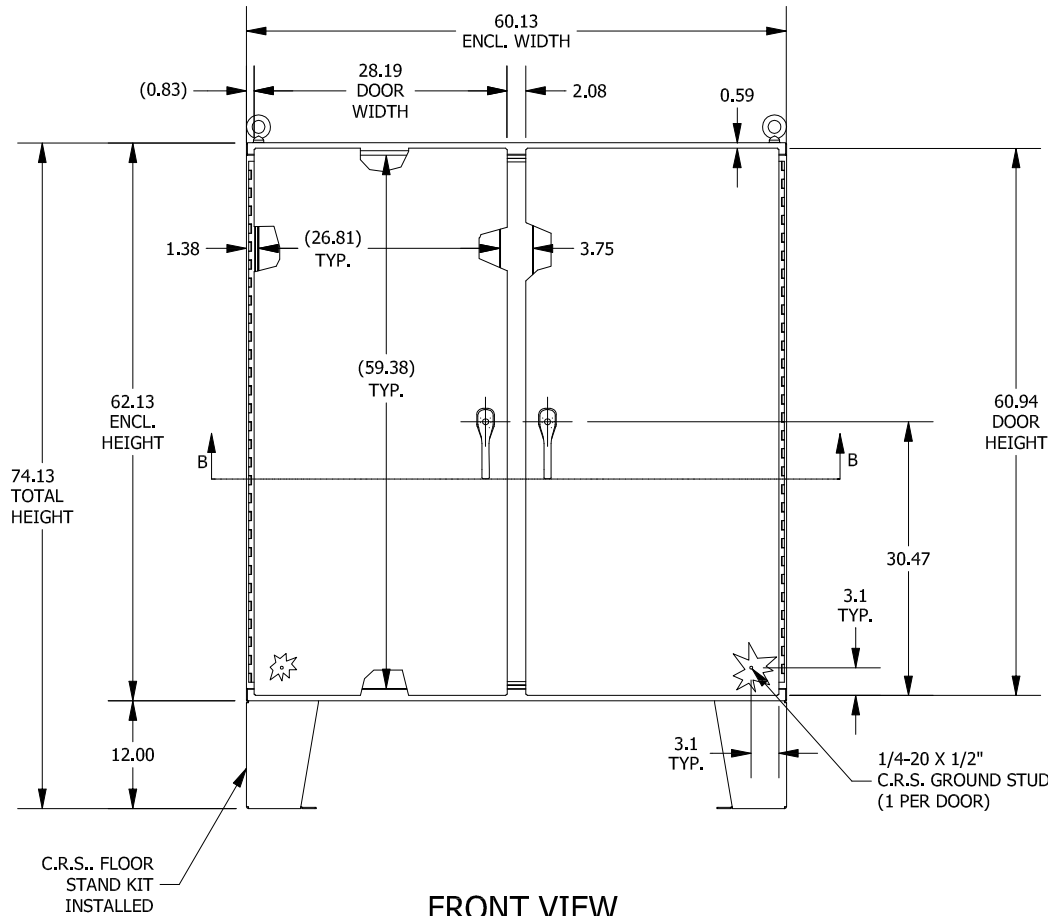
TOP VIEW



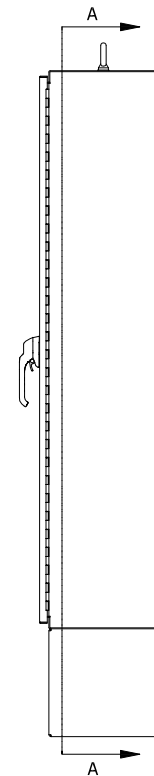
**DETAIL AD
(LIFT EYE ASSEMBLY VIEW)**



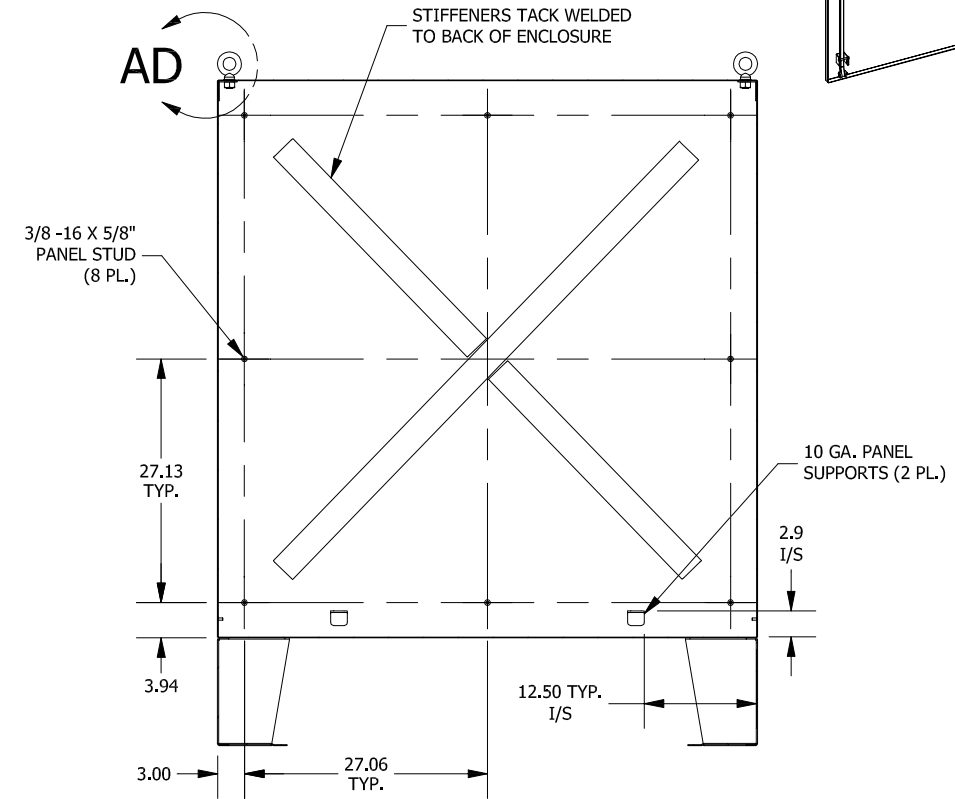
LEFT SIDE VIEW



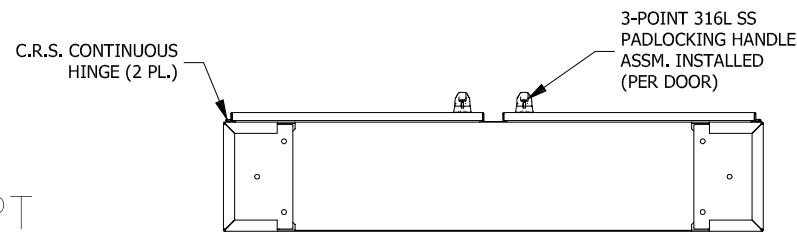
FRONT VIEW



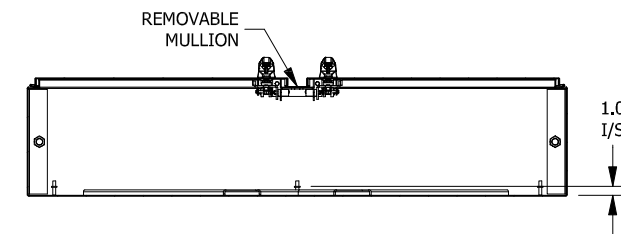
RIGHT SIDE VIEW



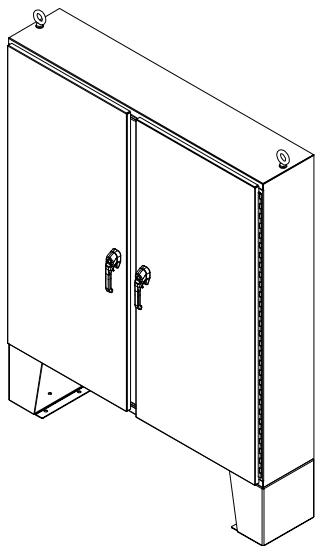
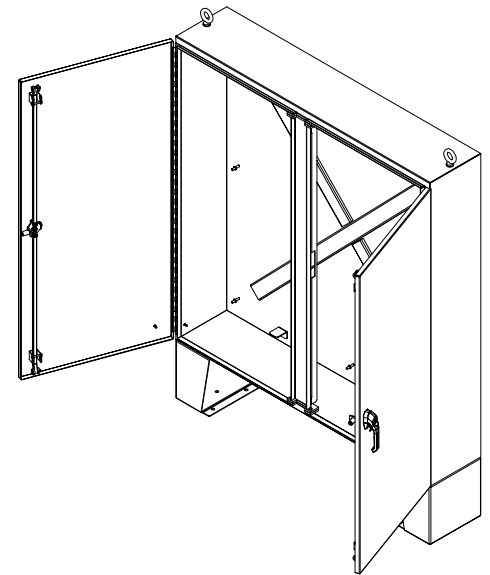
**SECTION A-A
(INSIDE BACK VIEW OF ENCLOSURE)**



BOTTOM VIEW



**SECTION B-B
(INSIDE VIEW OF TOP)**



PART#: N4D6260123PT
(DATA SUBJECT TO CHANGE
WITHOUT NOTICE)

THIS DRAWING IS PROPERTY OF HUBBELL INC.
WIEGMANN
ALL INFORMATION IS PROPRIETARY AND NOT TO BE
DUPLICATED