

DATE  
DEC. 13, 2010  
CAT. #: NP0154

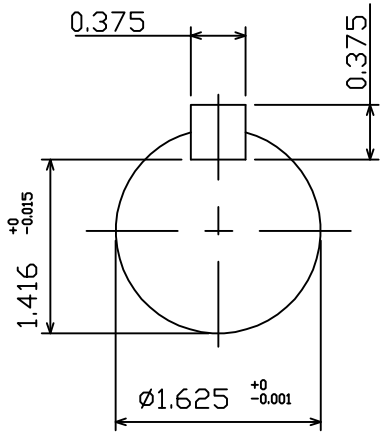
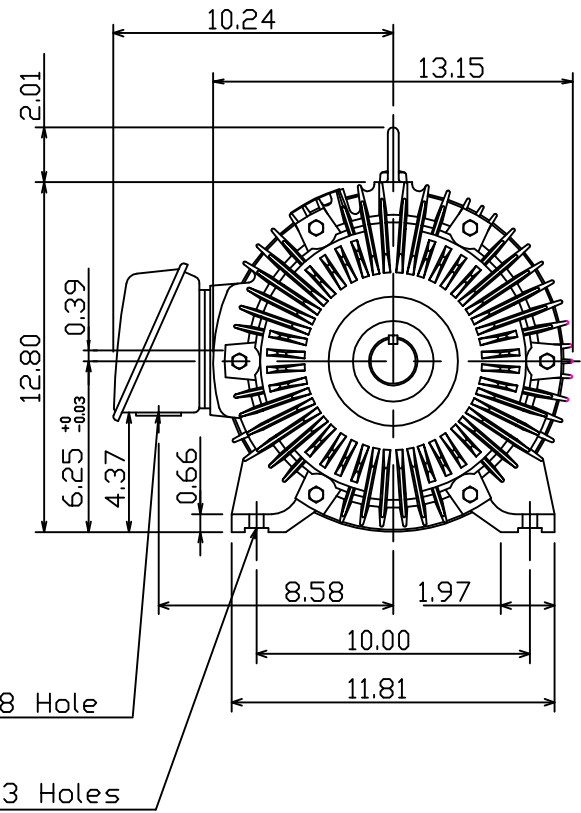
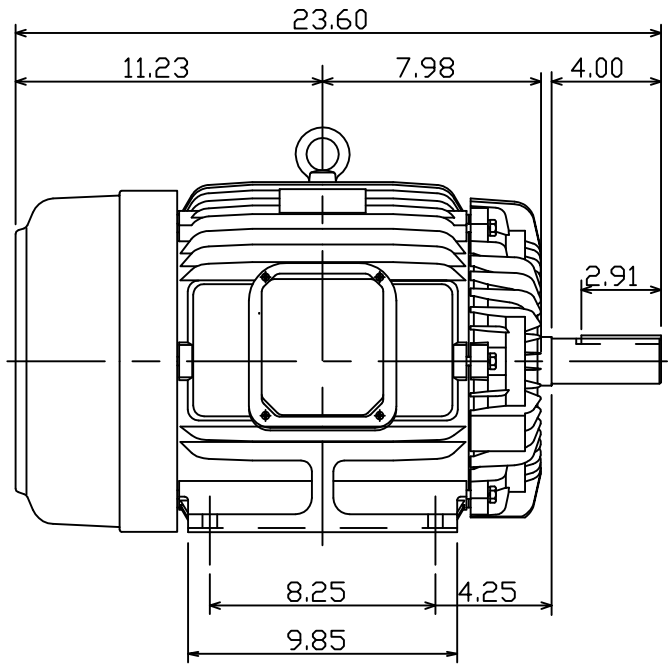
OUTLINE DIMENSIONS  
3-PHASE INDUCTION MOTOR

MOTOR TYPE:  
AEHH8P  
FRAME NO. 254T

Pole	HP	kW	Hz	VOLT	Syn.Speed r/min(rpm)
4	15	11.2	50	190/380	1500

Ins	Rating	Dimension in	Approx Weight	Bearings
F	CONT.	inch	267 lbs.	DE: 6309ZZ NDE: 6307ZZ

Totally Enclosed Fan Cooled Squirrel Cage Rotor.



12.07.10 郭耿良

DWN, J.H.LIANG	05-20-99
CHKD, C.H.KAD	06-11-99
APPD, Y.B.HUANG	06-11-99



DWG NO.  
31049J348202