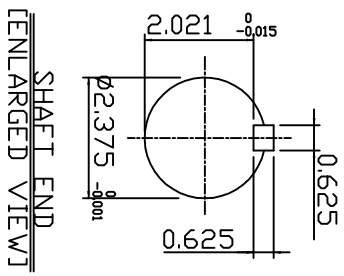
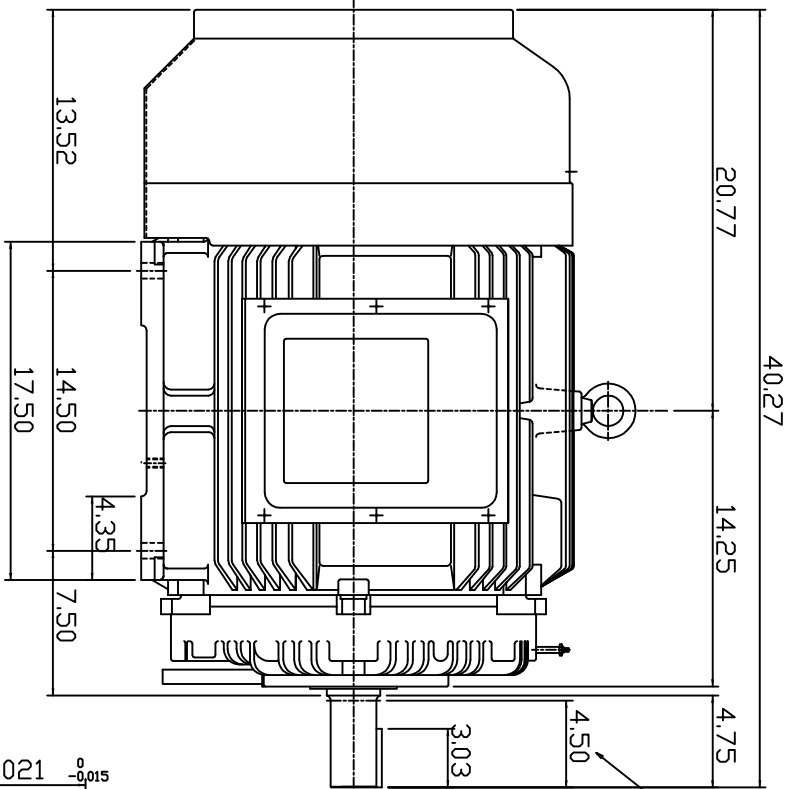
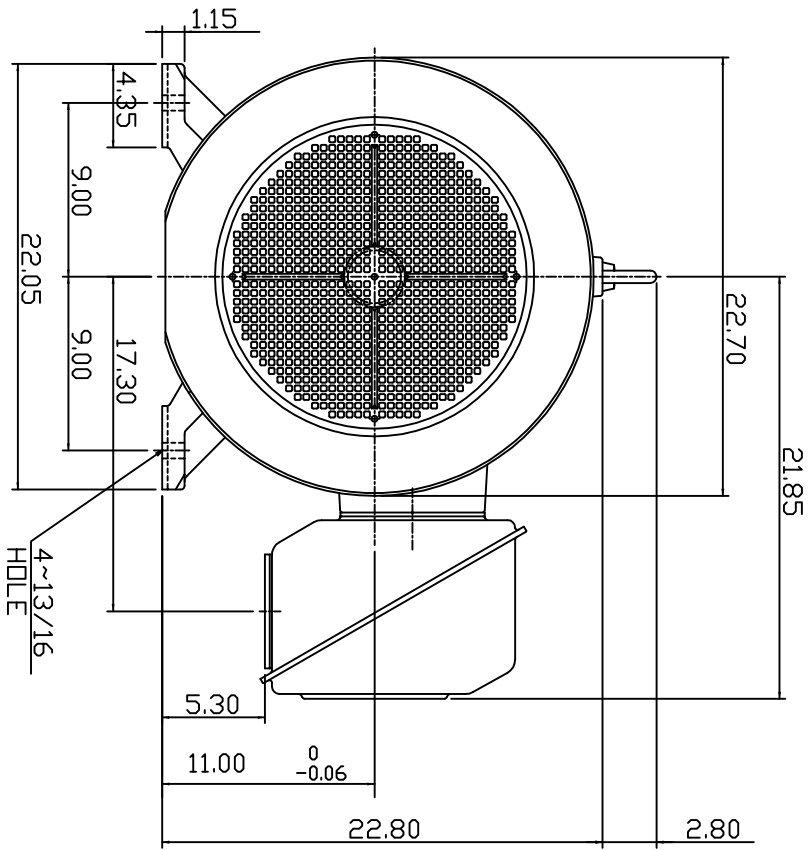


TYPE	OUTPUT		POLE	TIME RATING	VOLTAGE V	Hz	SYN SPEED R.P.M
	HP.	KW.					
AEHH8P	125	93.3	2	CONT.	190/380	50	3000

TOTALLY ENCLOSED FAN-COOLED TYPE, SQUIRREL-CAGE ROTOR



SHAFT END  
[ENLARGED VIEW]

- NOTE:
1. DIMENSIONS IN INCHES
  2. FRAME SIZE 444TS
  3. F CLASS INSULATION, S.F. 1.0
  4. FOR DIRECT FLEXIBLE COUPLING
  5. BEARING NO.: DRIVE END: 6314C3  
OPP. DRIVE END: 6314C3
  6. ENCLOSURE: IP44
  7. APPRDX. WEIGHT: 1400 LBS

DWN.	SLEE	JAN. 26 '2011
CHKD.	SLEE	JAN. 26 '2011
APPD.	H.LIU	JAN. 26 '2011

DATE	FEB. 11, 2011		<b>OUTLINE DIMENSIONS</b> 3-PHASE INDUCTION MOTOR
CATALOG #	NP1252		
DWG NO.	3A049DWB10464-21	REV:	00