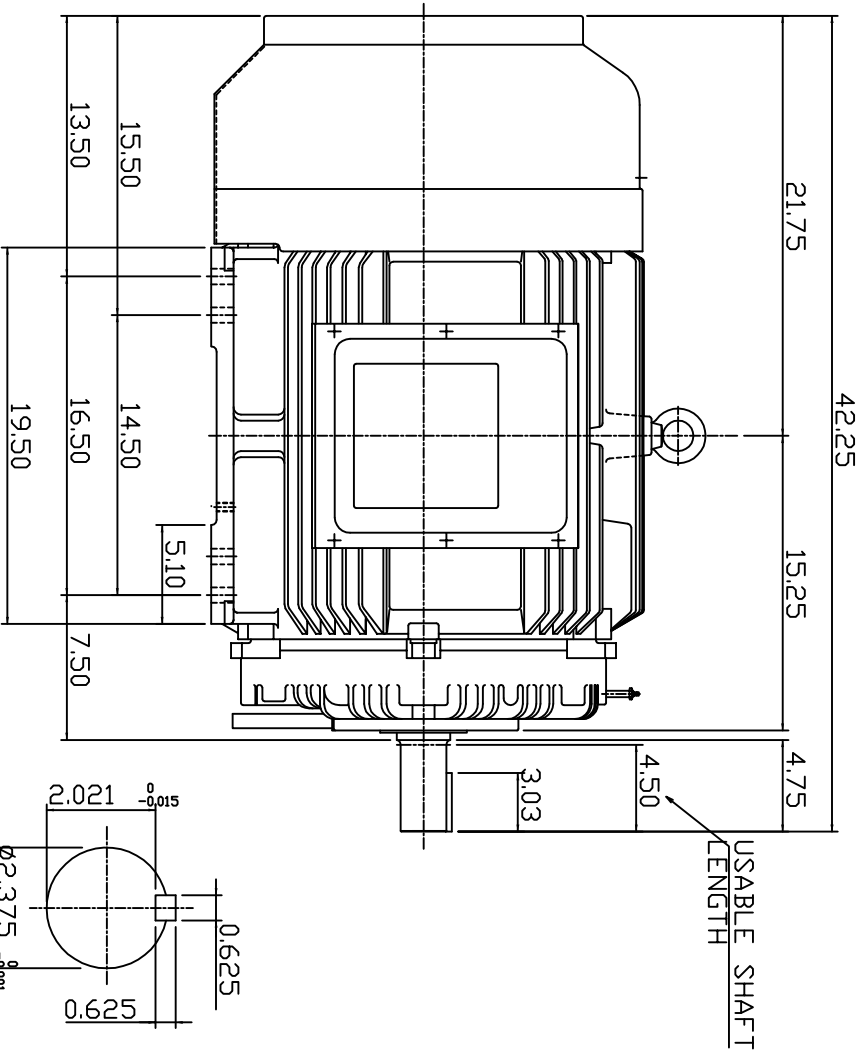
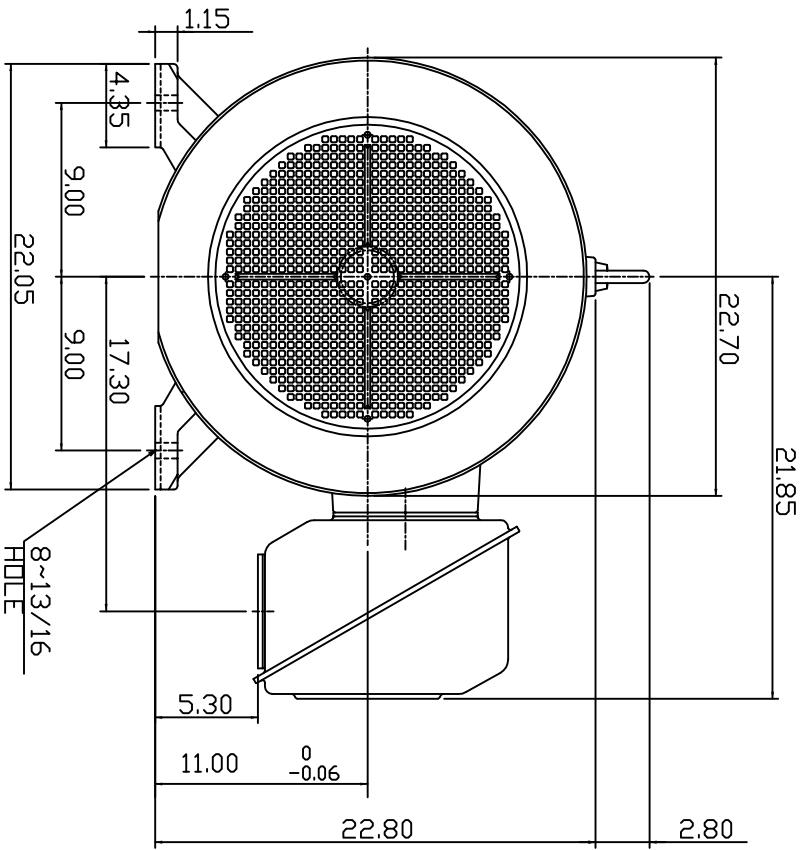


TYPE	OUTPUT		POLE	TIME RATING	VOLTAGE V	Hz	SYN SPEED R.P.M
	HP.	KW.					
AEHH8P	150	111.9	2	CONT.	380	50	3000

TOTALLY ENCLOSED FAN-COOLED TYPE, SQUIRREL-CAGE ROTOR



SHAFT END  
[ENLARGED VIEW]

USABLE SHAFT  
LENGTH

0.625

2.375

2.021

0.625

0.625

0.015

0.001

- NOTE:
1. DIMENSIONS IN INCHES
  2. FRAME SIZE 445TS
  3. F CLASS INSULATION, S.F. 1.0
  4. FOR DIRECT FLEXIBLE COUPLING
  5. BEARING NO.: DRIVE END: 6314C3  
OPP. DRIVE END: 6314C3
  6. ENCLDSURE: IP44
  7. APPRDX. WEIGHT: 1600 LBS

DWN.	SLEE	JAN. 26 '2011
CHKD.	SLEE	JAN. 26 '2011
APPD.	H.LIU	JAN. 26 '2011

DATE	OUTLINE DIMENSIONS	
FEB. 11, 2011	3-PHASE INDUCTION MOTOR	
CATALOG #:	NP1502	



DWG NO. 3A049DWB10464-22  
REV: 00