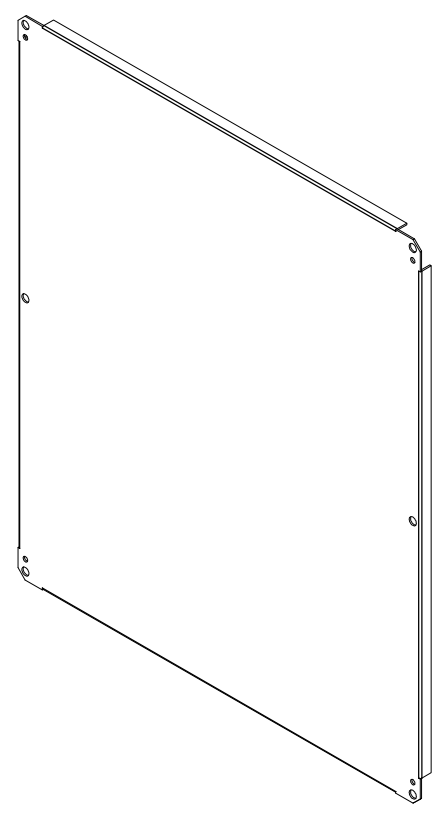


12 GA.



PART#: NP3630C
 (DATA SUBJECT TO CHANGE WITHOUT NOTICE)
 THIS DRAWING AND COMPONENTS OF ARE
 PROPERTY OF HUBBELL INC. WIEGMANN

