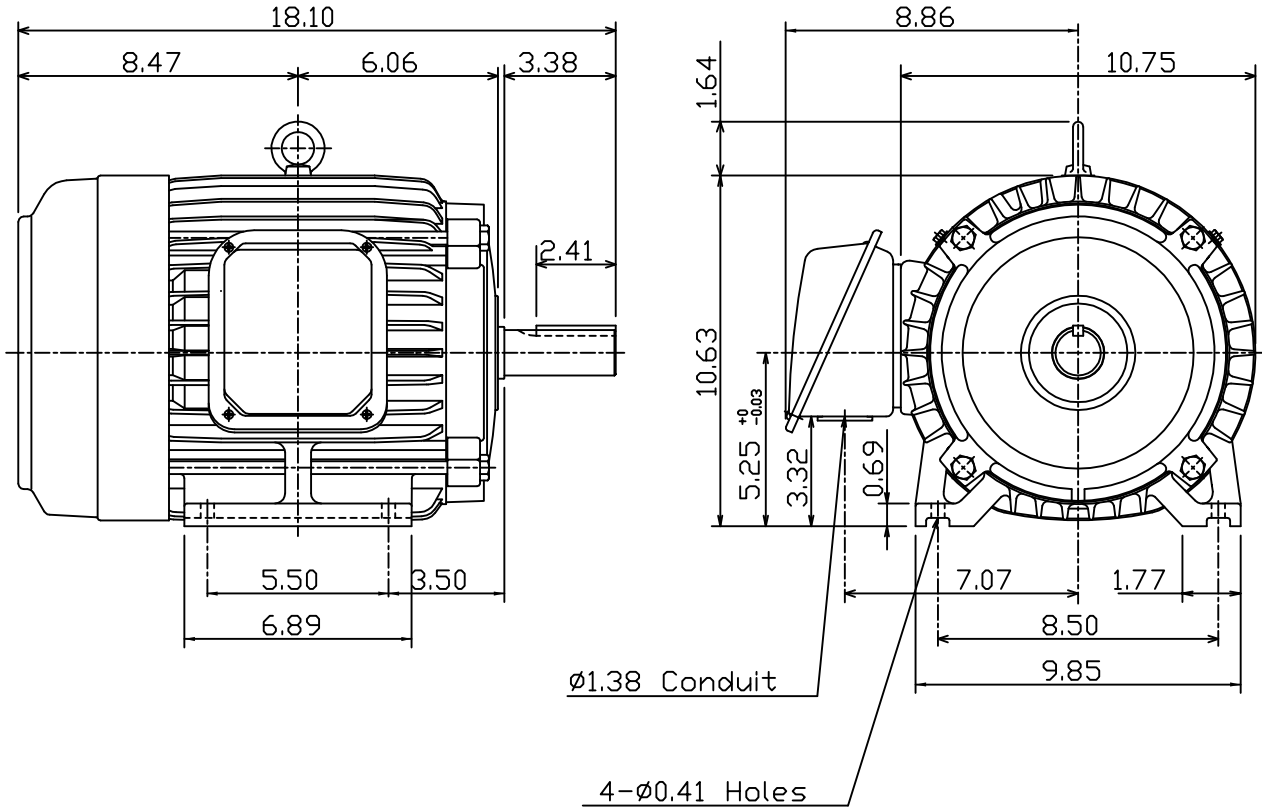


| | | |
|-----------------------|---|-----------------------|
| DATE NOV. 23, 2010 | OUTLINE DIMENSIONS 3-PHASE INDUCTION MOTOR | MOTOR TYPE: AEHH8P |
| CAT. #: NP7/54 | | FRAME NO. 213T |

| | | | | | |
|------|-----|-----|----|---------|-------------------------|
| Pole | HP | kW | Hz | VOLT | Syn.Speed r/min(rpm) |
| 4 | 7.5 | 5.6 | 60 | 230/460 | 1800 |

| | | | | | |
|-----|--------|--------------|---------------|------------|-------------|
| Ins | Rating | Dimension in | Approx Weight | Bearings | |
| F | CONT. | inch | 150 lbs. | DE: 6308ZZ | NDE: 6306ZZ |

Totally Enclosed Fan-Cooled Type. Squirrel-Cage Rotor.



| | |
|------------|-----------|
| ① 09.24.01 | S.L.CHIAN |
|------------|-----------|

| | | |
|--------------------------|---|--------------|
| DWN. J.H.LIANG 05-20-99 | TECO  Westinghouse  | DWG NO. |
| CHKD. C.S.LO 05-26-99 | | 31049D191451 |
| APPD. Y.B.HUANG 05-26-99 | | |