

3" Drop Elbows (Tight Fill Couplers)

Complete Units



Features:

- aluminum body
- brass handle and cam arms with buna gasket
- steel bolts on inlet end
- plexiglass sight flow insert with buna seals

Coupler Size	Inlet	Aluminum	
		Part #	Price/E
3"	3" male adapter	300300MAE	\$694.00
3"	4" male adapter	3004030MAE	726.00

Coupler Body



plunger type handle

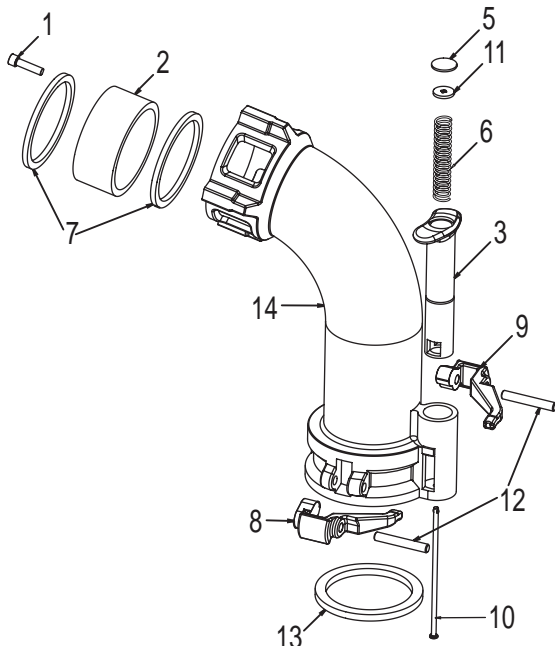
Size	Aluminum	
	Part #	Price/E
3"	300-TFG	\$650.00

Inlet Ends



Inlet	Inlet	Aluminum	
		Part #	Price/E
3"	male adapter	300-MAE	\$71.00
4"	male adapter	4030-MAE	105.00

Parts List



Item #	Description	Part #	Price/E
1	screw-inlet end	P3-TFG-1	\$1.50
2	plexiglass-shell only	P3-TFG-2	34.35
3	plunger	P3-TFG-3	67.00
5	plunger cap	P3-TFG-5	5.50
6	spring	P3-TFG-6	6.80
7	plexiglass gasket	P3-TFG-7	3.50
8	right cam arm	P3-TFG-8	56.00
9	left cam arm	P3-TFG-9	56.00
10	rod	P3-TFG-10	15.00
11	disc	P3-TFG-11	9.50
12	pin	300-P	2.25
13	coupler gasket	300-G-BU	1.55
14	body	P3-TFG-13	POR