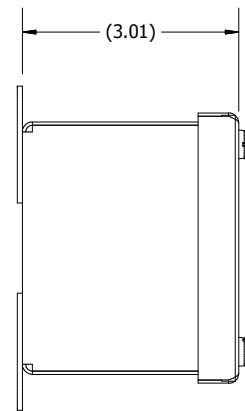
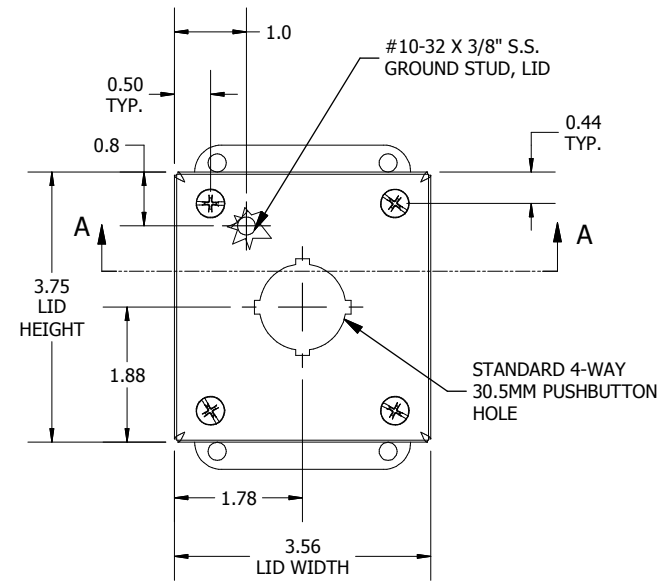


PART#: PBSS1A
(DATA SUBJECT TO CHANGE WITHOUT NOTICE)

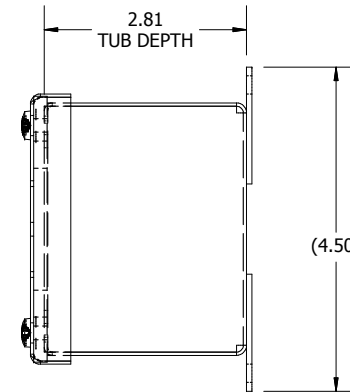
THIS DRAWING IS PROPERTY OF HUBBELL INC. WIEGMANN ALL INFORMATION IS PROPRIETARY AND NOT TO BE DUPLICATED



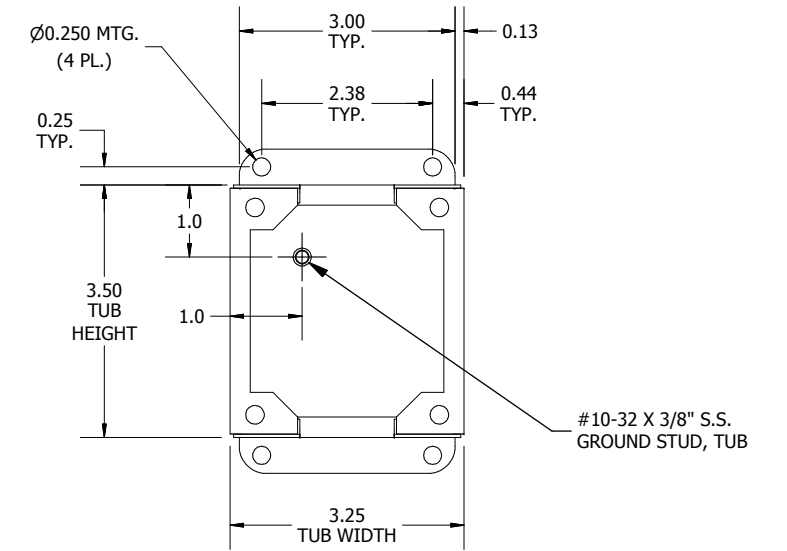
LEFT VIEW



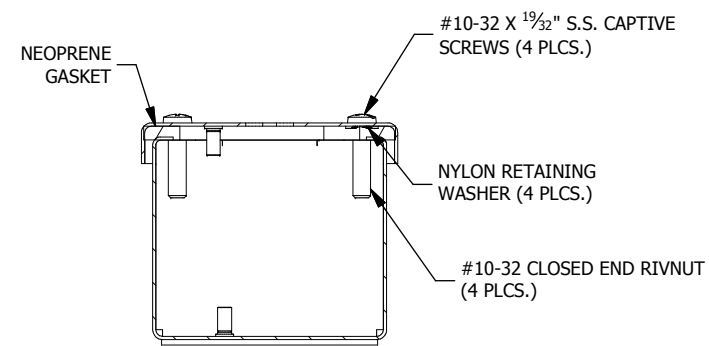
FRONT VIEW



RIGHT VIEW



FRONT VIEW TUB



SECTION A-A
(INSIDE TOP OF ENCL.)

