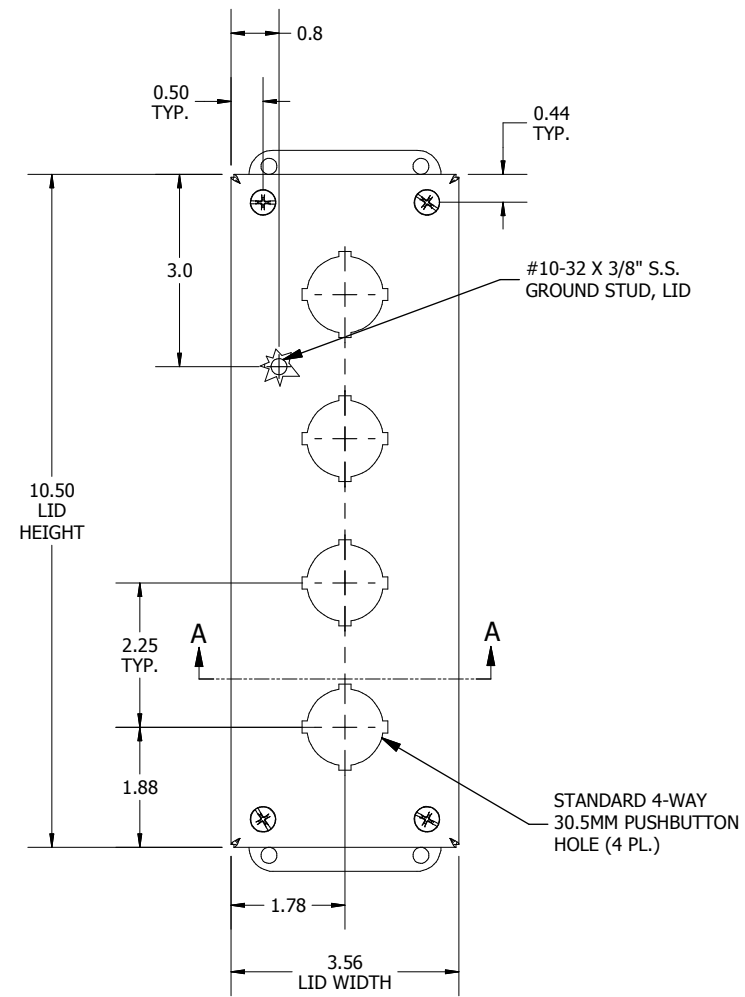
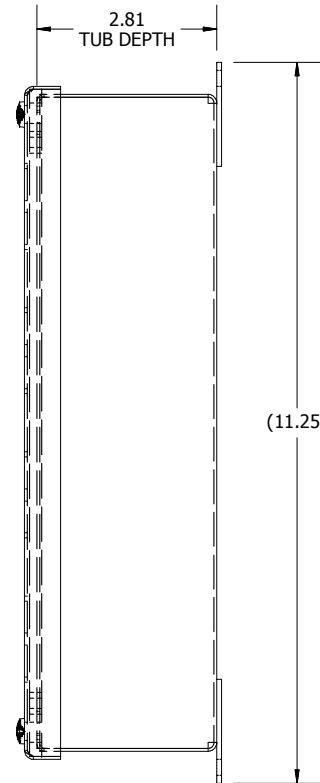


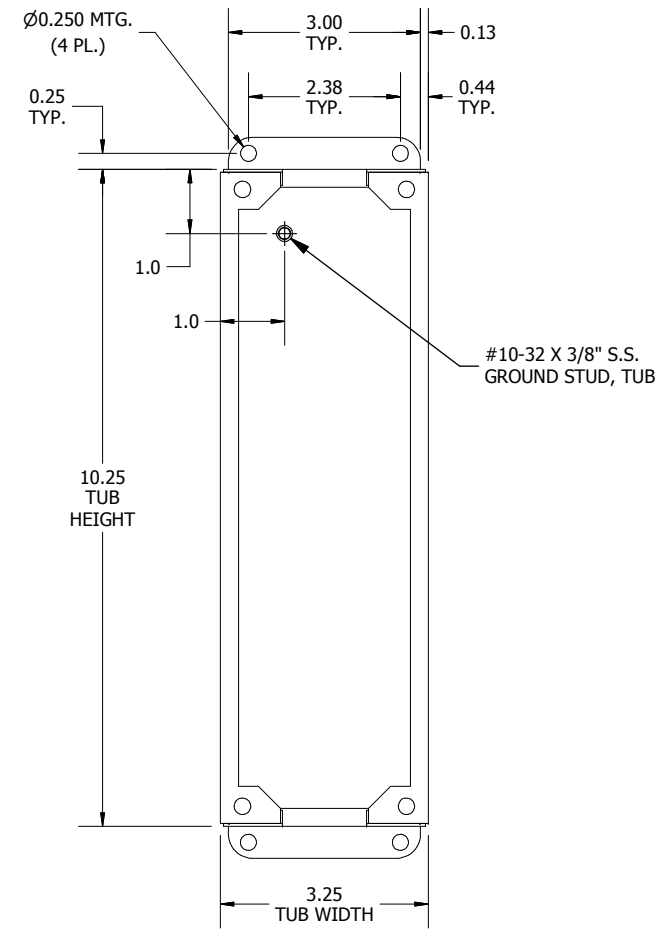
LEFT VIEW



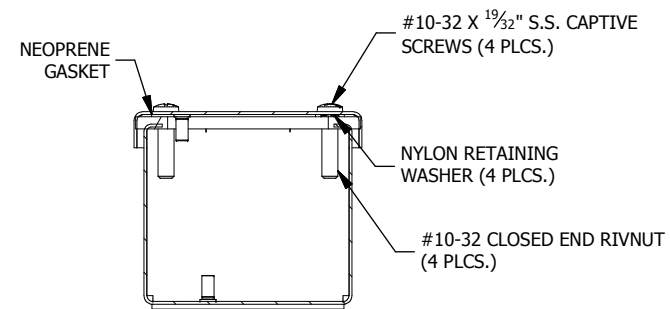
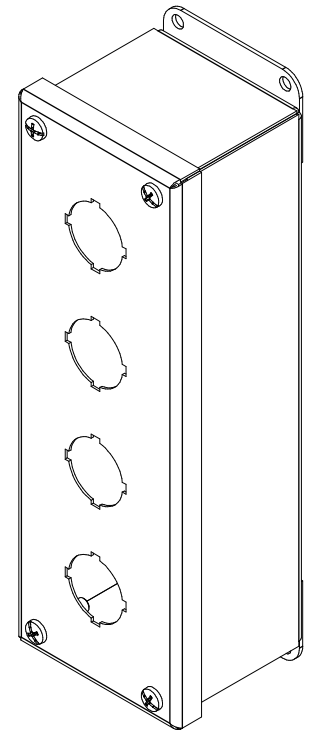
FRONT VIEW



RIGHT VIEW



FRONT VIEW TUB



SECTION A-A
(INSIDE TOP OF ENCL.)

PART#: PBSS4
(DATA SUBJECT TO CHANGE WITHOUT NOTICE)

THIS DRAWING IS PROPERTY OF HUBBELL INC. WIEGMANN ALL INFORMATION IS PROPRIETARY AND NOT TO BE DUPLICATED