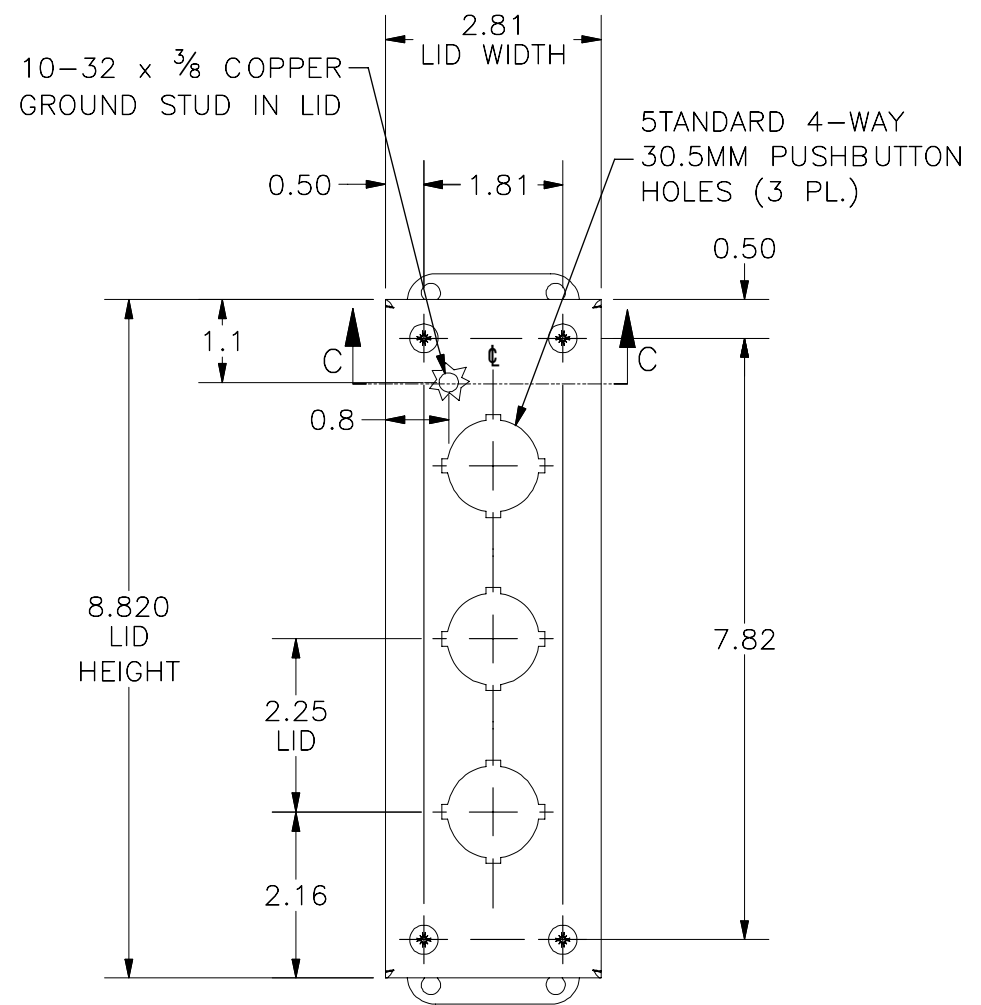
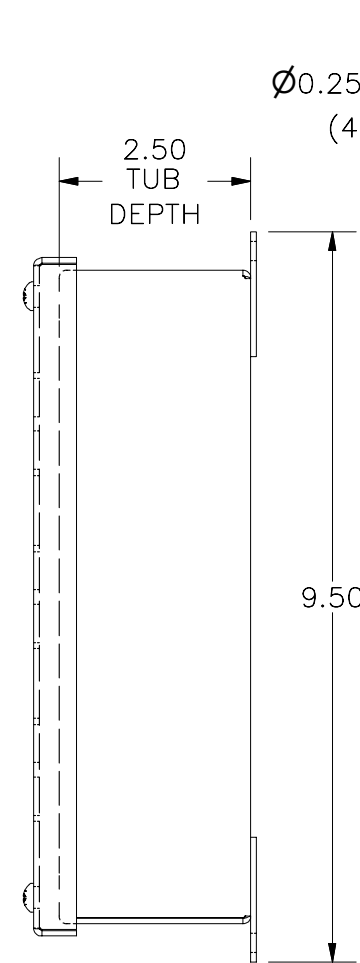


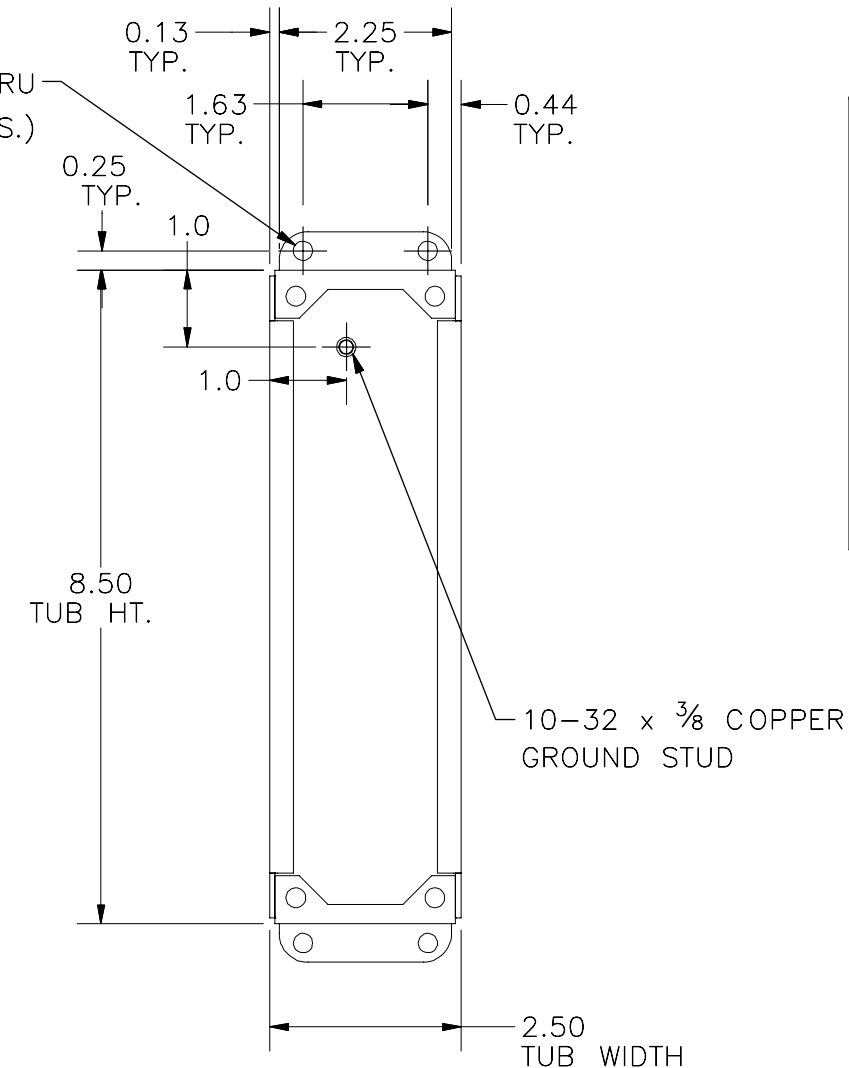
LEFT SIDE VIEW



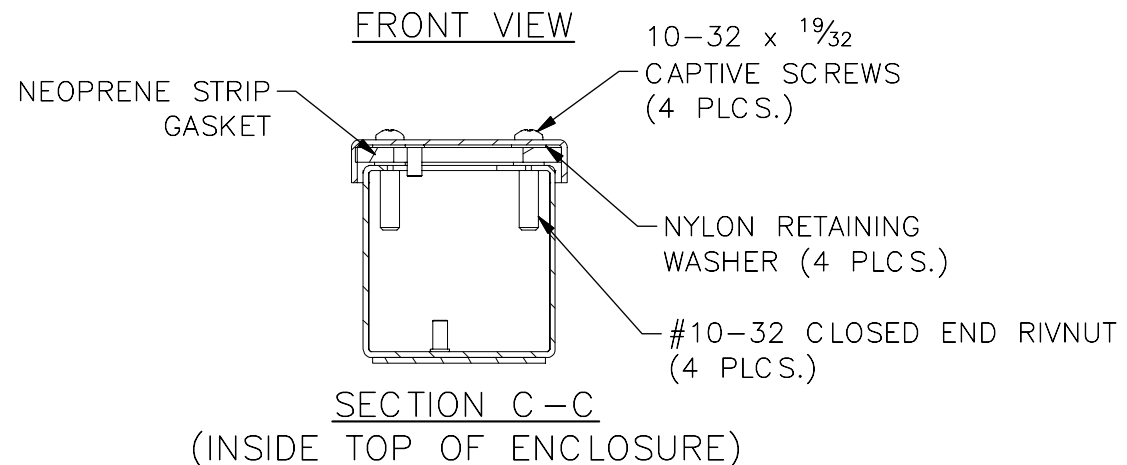
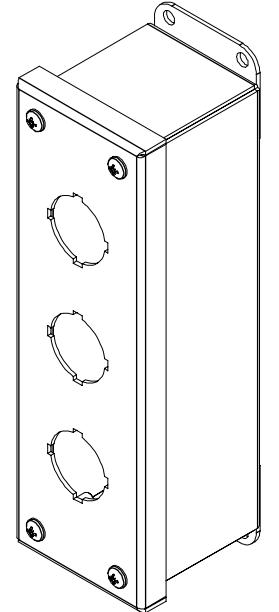
FRONT VIEW



RIGHT SIDE VIEW



FRONT VIEW TUB



SECTION C-C  
(INSIDE TOP OF ENCLOSURE)

PART#: PSL3  
(DATA SUBJECT TO CHANGE WITHOUT NOTICE)

THIS DRAWING IS PROPERTY OF HUBBELL INC. WIEGMANN  
ALL INFORMATION IS PROPRIETARY AND NOT TO BE DUPLICATED