

DATE  
OCT. 30, 2015  
CATALOG NO.  
QT0406

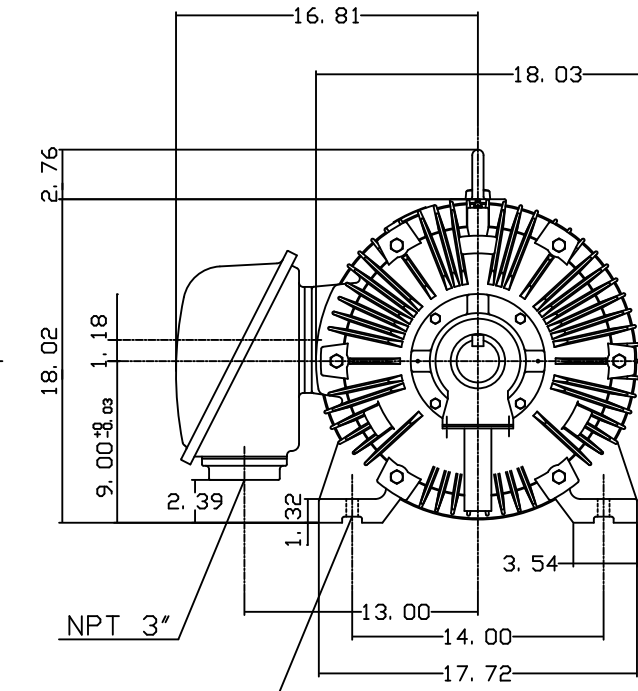
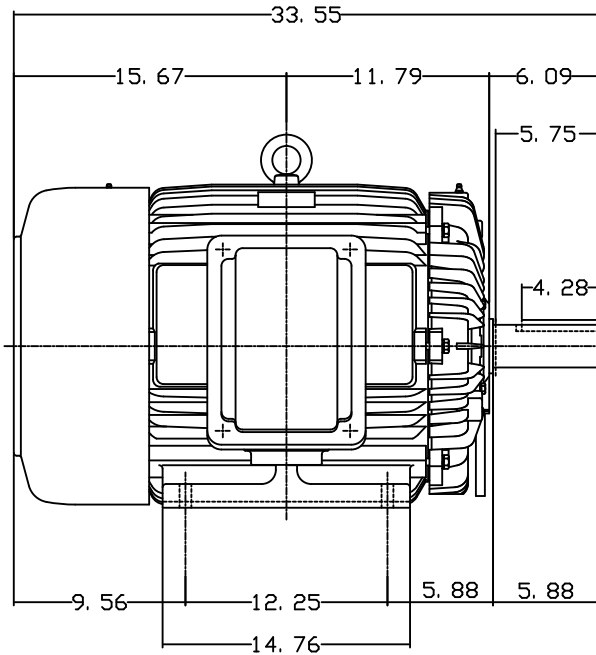
# OUTLINE DIMENSIONS

## 3-PHASE INDUCTION MOTOR

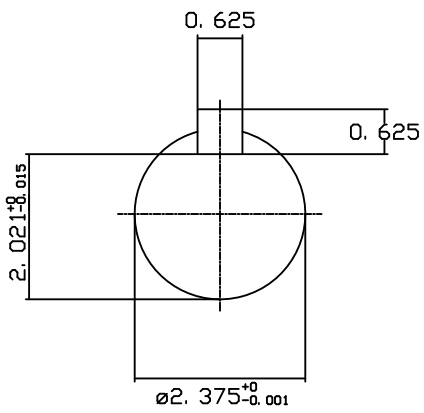
MOTOR TYPE:  
AEEAFP  
FRAME NO. 365T

Pole	HP	KW	Hz	VOLT	Syn. Speed RPM
6	40	29.8	60	230/460	1200
Ins	Rating	Dimension in	Approx Weight	Bearings	
F	CONT.	inches	906 lbs.	DE: 6313	NDE: 6213

Totally Enclosed Fan-Cooled Type. Squirrel-Cage Rotor.

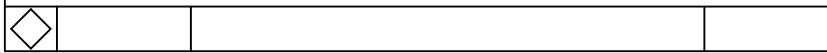


4-∅0.66 Holes



NOTE:

1. KLIXON 9700 THERMOSTAT, ONE PER PHASE, LEADS TERMINATE IN MAIN LEAD T-BOX. NORMALLY CLOSED.



DWN.	C. COOK	10-30-15



DWG NO.  
QT0406