



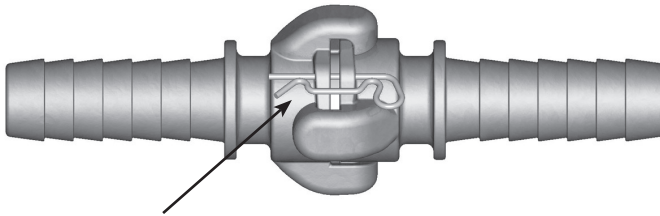
**SERVICE** - Dixon Air King couplings are recommended for use on air lines for virtually any type of pneumatic equipment. **The maximum recommended working pressure for Dixon Air King universal couplings is 150 PSI or less at ambient temperature (70°F).**

**FEATURES** - Dixon Air King fittings have a universal head which is identical for all parts (hose ends, male NPT and female NPT) within the 1/4" to 1" range. This enables any two fittings (within that range) to be directly connected regardless of hose shank or threaded size. Dixon Air King couplings with interlocking ferrule also have the standard Air King universal head. This enables any of the Air King with ferrule couplings to connect directly to any other Air King coupling within the 1/4" - 1" range. The ferrule comes attached to the fitting for easy installation. The ferrules can be swaged or crimped depending on your coupling installation equipment. Swaging and crimping dimensions are provided on pages 10-11 of this brochure.

**CONNECTION** - Connections are made by pushing two heads together and turning one quarter turn in a clockwise direction. When this is done and the heads have seated properly, the small holes through the flange on the side of each coupling head will line up. An Air King safety clip should be inserted at this point to assure the Air King couplings will not become accidentally disconnected. If a safety clip is not available, insert a cotter pin or wire type retainer through the holes. The fitting is now ready to be put into service.

**DISCONNECTION** - Remove the safety clip, cotter pin or wire. Press the heads firmly together and turn them counterclockwise. The heads will then separate. **NEVER attempt to disconnect any hose while pressure is in the line.**

**INTERCHANGE** - Although Air King couplings may interchange with other manufacturers' fittings, **we do not recommend their use with other products.** Not all locking heads are made to the same standards as Dixon Air King. Use with other brands of fittings may create an unsafe condition, due to poor design or worn equipment.



### **⚠ WARNING**

*The use of an Air King safety clip or wire type retainer is necessary to ensure Air King universal couplings will not become accidentally disconnected.* This guarantees the fittings are properly connected because the safety pin will not go through the holes in mating flanges until couplings are locked in place. Only one Air King safety clip or wire type retainer is required for each Air King universal coupling.

To provide protection against coupling breakage and related hazards, Dixon recommends the use of a whip hose.

#### The Importance of Whip Hose

The constant vibration created by air tools, like air drills and pavement breakers, is destructive to air hose couplings, especially the quick-acting type. To provide a safer working environment, connect one end of a 3' to 10' length of air hose to the tool using Dixon's No. 3500 Steel Nipple.

This nipple is designed to specifically handle vibration applications. Connect the other end of hose to the air supply using the standard quick-acting coupling. The Whip Hose should remain permanently connected to the tool.

Air King meets pressure requirements as specified in A-A-59553 commercial item description superseding Mil Spec. WWC-633D.

*All dimensions provided throughout this brochure are nominal.*

## **SAFETY**

Dixon's couplings and retention devices are designed to work safely for their intended use. The selection of the proper hose, coupling and retention device, and the proper application of the coupling to the hose are of utmost importance.

Users must consider the size, temperature, application, media, pressure and hose and coupling manufacturer's recommendations when selecting the proper hose assembly components. Dixon recommends that all hose assemblies be tested in accordance with the Association for Rubber Products Manufacturer's (ARPM) recommendations and be inspected regularly (before each use) to ensure that they are not damaged or have become loose. Visit [ARPMINC.com](http://ARPMINC.com) for more information.

Where safety devices are integral to the coupling, they must be working and utilized. The use of supplementary safety devices such as safety clips or safety cables are recommended.

If any problem is detected, couplings must be removed from service immediately.

Dixon is available to consult, train and recommend the proper selection and application of all fittings we sell. We strongly recommend that distributors and end users make use of Dixon's Testing and Recommendation Services. Call 877.963.4966 or click [dixonvalve.com](http://dixonvalve.com) to learn more.

## Male NPT Ends

### Features:

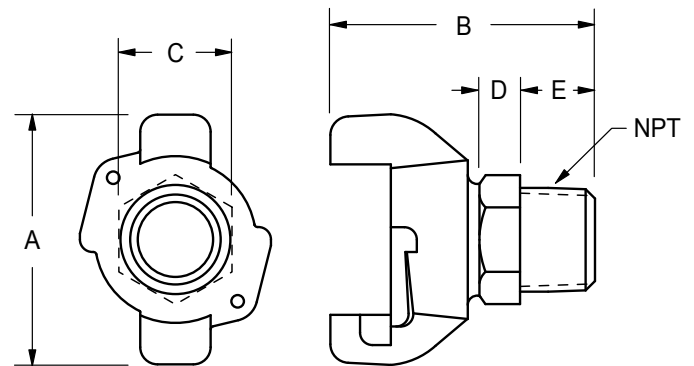
- supplied with safety clip
- pressure rating: **150 PSI** at ambient temperature (70°F)
- supplied with rubber washer, part # AWR4

Size	Iron Part #	Opt Qty	Brass Part #	Opt Qty	316 Stain. Steel Part #
1/4"	<b>AMB1</b>	25	<b>ABB1</b>	25	---
3/8"	<b>AMB</b>	25	<b>ABB</b>	25	<b>RAMB</b>
1/2"	<b>AM2</b>	50	<b>AB2</b> <sup>1</sup>	50	<b>RAM2</b>
3/4"	<b>AM7</b>	50	<b>AB7</b> <sup>1</sup>	50	<b>RAM7</b>
1"	<b>AM12</b>	50	<b>AB12</b> <sup>1</sup>	50	<b>RAM12</b>

<sup>1</sup> global investment cast

### Dimensions

Size	A	B	C	D	E	NPT
1/4"	2 1/2"	2-9/16"	1"	7/16"	5/8"	1/4"
3/8"	2 1/2"	2-9/16"	1"	7/16"	5/8"	3/8"
1/2"	2 1/2"	2-11/16"	1 1/8"	1/2"	13/16"	1/2"
3/4"	2 1/2"	2-13/16"	1 3/8"	9/16"	7/8"	3/4"
1"	2 1/2"	2-7/8"	1 1/2"	5/8"	7/8"	1"



## Female NPT Ends

### Features:

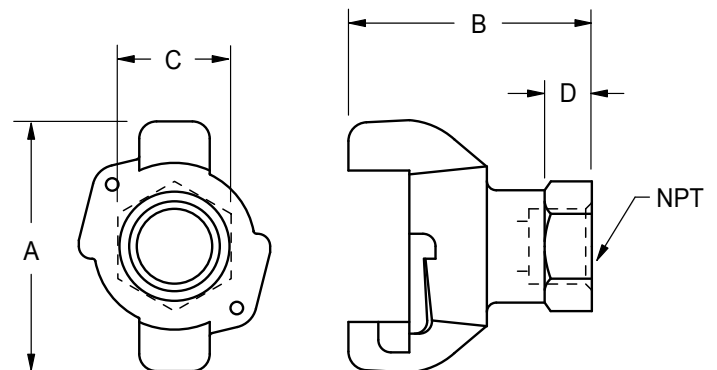
- supplied with safety clip
- pressure rating: **150 PSI** at ambient temperature (70°F)
- supplied with rubber washer, part # AWR4

Size	Iron Part #	Opt Qty	Brass Part #	Opt Qty	316 Stain. Steel Part #
1/4"	<b>AMC1</b>	25	<b>ABC1</b>	25	---
3/8"	<b>AMC</b>	25	<b>ABC</b>	25	<b>RAMC</b>
1/2"	<b>AM3</b>	50	<b>AB3</b> <sup>1</sup>	50	<b>RAM3</b>
3/4"	<b>AM8</b>	50	<b>AB8</b> <sup>1</sup>	50	<b>RAM8</b>
1"	<b>AM13</b>	50	<b>AB13</b> <sup>1</sup>	50	<b>RAM13</b>

<sup>1</sup> global investment cast

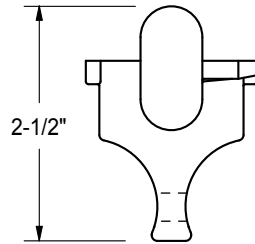
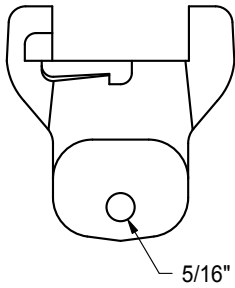
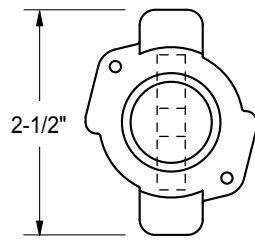
### Dimensions

Size	A	B	C	D	NPT
3/8"	2 1/2"	2-7/16"	1-1/8"	3/8"	1/4"
1/2"	2 1/2"	2-7/16"	1-1/8"	3/8"	3/8"
5/8"	2 1/2"	2-7/16"	1-1/8"	3/8"	1/2"
3/4"	2 1/2"	2-1/2"	1-7/16"	3/8"	3/4"
1"	2 1/2"	2-1/16"	1-5/8"	3/8"	1"





## Blank Ends



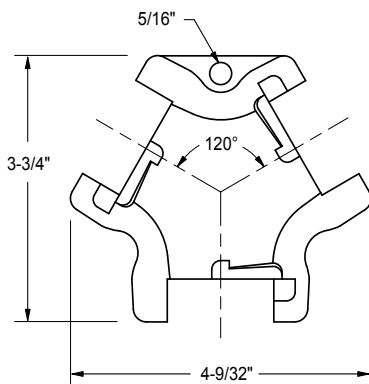
### Features:

- supplied with safety clip
- pressure rating: **150 PSI** at ambient temperature (**70°F**)
- supplied with rubber washer, part # AWR4

Iron Part #	Opt Qty	Brass Part #	Opt Qty	316 Stainless Steel Part #
<b>AM0</b>	25	<b>AB0</b> <sup>1</sup>	25	<b>RAM0</b>

<sup>1</sup> global investment cast

## Triple Connections



### Features:

- supplied with safety clip
- pressure rating: **150 PSI** at ambient temperature (**70°F**)
- supplied with rubber washer, part # AWR4

Iron Part #	Opt Qty	Brass Part #	Opt Qty
<b>AM10</b>	25	<b>AB10</b> <sup>1</sup>	25

<sup>1</sup> global investment cast

## Hose Ends

### Features:

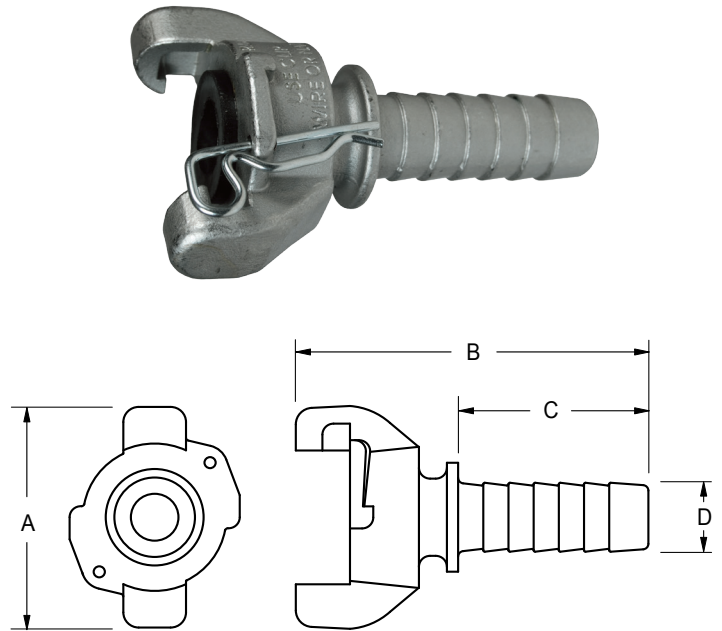
- supplied with safety clip
- pressure rating: **150 PSI** at ambient temperature (**70°F**)
- supplied with rubber washers, part # AWR4

Size	Iron Part #	Opt Qty	Brass Part #	Opt Qty	316 Stain. Steel Part #
3/8"	<b>AMH</b> <sup>1</sup>	25	<b>ABH</b>	25	<b>RAMH</b>
1/2"	<b>AM1</b>	50	<b>AB1</b> <sup>1</sup>	50	<b>RAM1</b>
5/8"	<b>AM5</b>	50	<b>AB5</b>	50	---
3/4"	<b>AM6</b>	50	<b>AB6</b> <sup>1</sup>	50	<b>RAM6</b>
1"	<b>AM11</b>	50	<b>AB11</b> <sup>1</sup>	50	<b>RAM11</b>

<sup>1</sup> global investment cast

### Dimensions

Size	A	B	C	D
3/8"	2 1/2"	3-1/2"	1-11/16"	7/16"
1/2"	2 1/2"	3-7/16"	1-5/8"	17/32"
5/8"	2 1/2"	4-1/4"	2-7/16"	11/16"
3/4"	2 1/2"	3-15/16"	2-1/8"	25/32"
1"	2 1/2"	4-25/32"	2-13/16"	1-1/16"



## Air King Clamps

- Torque values for clamps are based on dry bolts. The use of lubricant on bolts will adversely effect clamp performance.

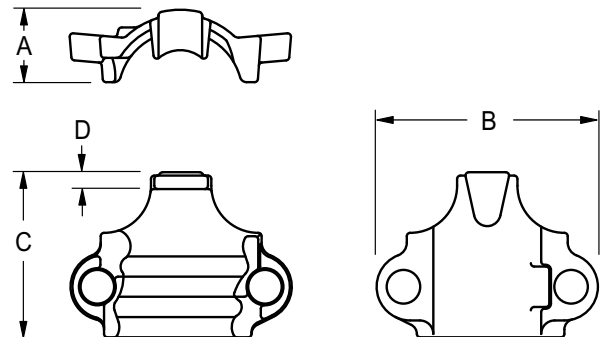


Size	Hose OD		Plated Iron Part #	Opt Qty	Torque <sup>1</sup>
	From:	To:			
3/8"	44/64"	56/64"	<b>CD</b> <sup>3</sup>	100	6
1/2"	1"	1-12/64"	<b>A4</b>	50	6
3/4"	1-8/64"	1-20/64"	<b>A9</b> <sup>3</sup>	50	21
1"	1-20/64"	1-32/64"	<b>A10</b> <sup>2,3</sup>	50	21
1"	1-32/64"	1-52/64"	<b>A14</b>	50	21

<sup>1</sup> recommended torque rating given in lbs.

<sup>2</sup> can be used with **AM6** and **AM11**

<sup>3</sup> global investment cast carbon steel



### Dimensions

Size	A	B	C	D
3/8"	9/16"	1-11/16"	1-7/16"	3/16"
1/2"	11/16"	2-1/16"	1-17/32"	5/32"
3/4"	7/8"	2-13/16"	1-21/32"	1/8"
1"	7/8"	2-19/32"	1-15/16"	9/32"
1"	1"	3-1/32"	2-1/4"	5/32"

## Global Air King

**Feature:**

- supplied with safety clip and rubber washers

### Male NPT Ends



Size	Plated Steel Part #	Pkg Qty
1/2"	<b>GAM2</b>	25
3/4"	<b>GAM7</b>	50
1"	<b>GAM12</b>	50

### Female NPT Ends



Size	Plated Steel Part #	Pkg Qty
1/2"	<b>GAM3</b>	25
3/4"	<b>GAM8</b>	50
1"	<b>GAM13</b>	50

### Hose Ends



Size	Plated Steel Part #	Pkg Qty
1/2"	<b>GAM1</b>	25
3/4"	<b>GAM6</b>	50
1"	<b>GAM11</b>	50

### Blank End



Plated Steel Part #	Pkg Qty
<b>GAM0</b>	25

### Triple Connection



Plated Steel Part #	Pkg Qty
<b>GAM10</b>	25

### Ferrules

**Features:**

- low profile streamline appearance with maximum retention, lightweight
- can be crimped
- designed for use with global Air King fittings



Size	Ferrule ID	Plated Steel Part #
1/2"	0.906"	<b>CCF0906</b>
	1.120"	<b>CCF1120</b>
	1.149"	<b>CCF1149</b>
	1.190"	<b>CCF1190</b>
	1.218"	<b>CCF1218</b>
	1.246"	<b>CCF1246</b>
3/4"	1.438"	<b>CCF1438</b>
	1.469"	<b>CCF1469</b>
	1.500"	<b>CCF1500</b>
	1.531"	<b>CCF1531</b>
1"	1.469"	<b>CCF1469</b>
	1.500"	<b>CCF1500</b>
1"	1.531"	<b>CCF1531</b>

## Air King Accessories

**Features:**

- The use of an Air King safety clip or wire type retainer is necessary to ensure couplings will not become accidentally disconnected. This guarantees the fittings are properly connected as the pin will not go through the holes in the mating flanges until couplings are locked in place.
- only one Air King safety clip or wire type retainer is required for each Air King universal coupling

### Standard Safety Clips

**Feature:**

- same size clip can be used for all coupling sizes

Wire Diameter	Part #	Pkg Qty
.080	<b>AC1</b>	25



### Air King Safety Pins

**Feature:**

- heavy duty, oversized

Wire Diameter	Part #
.058	<b>AKSP1</b>
.091	<b>AKSP25</b>



### Stainless Steel Clips

**Feature:**

- same size clip can be used for all coupling sizes

Wire Diameter	Part #
.072	<b>AC7</b>



### Lanyards

**Features:**

- synthetic cord
- same size for all coupling sizes

Part #	Pkg Qty
<b>ACL8</b>	25



**Features:**

- breaking strength: 160 lbs.
- overall length: 7" eye to eye

304 Stainless Part #
<b>LR7</b>



### Washers

**Features:**

- 2 lug couplings use the same size washer (AWR4, AWS6)
- 4 lug couplings use the same size washer (AWR14)
- rubber temperature range: **-20°F to 160°F**
- neoprene temperature range: **-20°F to 190°F**
- neoprene is oil resistant

Part #	Material	Style	Pkg Qty
<b>AWR4<sup>1</sup></b>	<i>rubber</i>	2 lug	50
<b>AWS6</b>	<i>neoprene</i>	2 lug	50
<b>AWR14</b>	<i>rubber</i>	4 lug	---



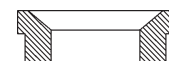
AWR4



AWS6



AWR14



<sup>1</sup> made from Styrene-butadiene (SBR)

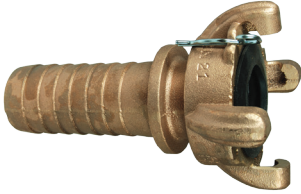
## Air King 4-Lug Quick Acting Couplings

### Features:

- supplied with safety clip and rubber washers
- pressure: **150 PSI** at ambient temperature (70°F)
- use with Boss clamps
- must use safety clips, safety clips are same size for both 2-lug and 4-lug



### Hose Ends



Size	Iron Part #	Brass Part #	Opt Qty
1¼"	<b>AM16</b>	<b>AB16</b> <sup>1</sup>	25
1½"	<b>AM21</b>	<b>AB21</b> <sup>1</sup>	25
2"	<b>AM26</b>	<b>AB26</b>	10

<sup>1</sup> item will be discontinued when stock is depleted

### Female NPT Ends



Size	Iron Part #	Brass Part #	Opt Qty
1¼"	<b>AM18</b>	<b>AB18</b> <sup>1</sup>	25
1½"	<b>AM23</b>	<b>AB23</b> <sup>1</sup>	25
2"	<b>AM28</b>	<b>AB28</b>	10

<sup>1</sup> item will be discontinued when stock is depleted

**Air King is for air and water service only** Warning: Never use any Air King coupling for steam service!



None of Dixon's catalog information is to be interpreted to mean that this type of coupling is suitable for use on steam hose.

## Boss Clamps

### ⚠ WARNING

- The bolts used in the Boss interlocking clamps are not standard bolts. They vary from standard bolts in their length, diameter, overall thread length and material hardness. These bolts can be retorqued, but it is **not** recommended that the bolts or clamps be reused, as they are designed for a single bend only. Dixon recommends using only factory supplied replacement bolts.
- Torque values for clamps are based on dry bolts. The use of lubricant on bolts will adversely effect clamp performance. *Do not lubricate nuts and bolts.*
- recommended for steam service up to **450°F**
- recommended torque rating in ft. lbs.
- replacement nuts and bolts are available, contact Dixon for more information



4-Bolt Type  
2 Gripping Fingers



4-Bolt Type  
4 Gripping Fingers

Hose ID	Hose OD		Zinc Plated Iron Part #	Opt Qty	Stainless Steel Part #	Torque <sup>3</sup>	Brass Part #	Torque
	From:	To:						
1¼"	1-32/64"	1-50/64"	<b>BU18</b>	10	---	40	---	--
1¼"	1-44/64"	1-56/64"	<b>187</b> <sup>1</sup>	10	---	21	---	--
1¼"	1-50/64"	2-6/64"	<b>BU19</b>	10	---	40	---	--
1¼"	1-56/64"	2-4/64"	<b>206</b> <sup>1</sup>	20	---	21	---	--
1¼"	2-8/64"	2-24/64"	<b>B19</b>	10	<b>RB19</b>	40	---	28
1½"	1-52/64"	2"	<b>BU22</b>	10	---	40	---	--
1½"	2"	2-14/64"	<b>B22</b>	10	---	40	---	--
1½"	2"	2-8/64"	<b>212</b> <sup>1</sup>	10	---	21	---	--
1½"	2-4/64"	2-16/64"	<b>225</b> <sup>1</sup>	10	---	40	---	--
1½"	2-12/64"	2-24/64"	<b>BU24</b>	10	<b>RBU24</b>	40	---	28
1½"	2-24/64"	2-36/64"	<b>B24</b>	10	<b>RB24</b>	40	---	--
1½"	2-36/64"	2-48/64"	<b>B25</b>	10	---	40	---	--
2"	2-16/64"	2-32/64"	<b>250</b> <sup>1,5</sup>	10	---	40	---	--
2"	2-22/64"	2-34/64"	<b>BU28</b>	10	---	60	---	--
2"	2-32/64"	2-48/64"	<b>275</b> <sup>1,5</sup>	10	---	40	---	--
2"	2-32/64"	2-50/64"	<b>BU29</b>	10	<b>RBU29</b>	60	<b>BBU29</b> <sup>2</sup>	40
2"	2-48/64"	3-4/64"	<b>B29</b>	10	<b>RB29</b>	60	---	--
2"	2-48/64"	3-4/64"	<b>306</b> <sup>1,5</sup>	10	---	60	---	--
2"	3-6/64"	3-28/64"	<b>B30</b>	5	---	60	---	--

<sup>1</sup> 4 gripping fingers and 4 bolts

<sup>2</sup> will become obsolete as inventory is depleted

<sup>3</sup> torque applies to plated iron and stainless steel clamps

<sup>5</sup> not to be used with GF81, GB26, WF81, B26, RGF81, RGB26, BGF81, BGB26, RWF81, RB26



## In-Line Lubricators

**Features:**

- protects portable or stationary air tools by efficiently oiling the tool mechanisms; each time an air tool is operated a fine mist of oil is injected into it along with the air from the compressor
- installation is recommended within 25' of the tool to be lubricated, refer to the arrow for proper air flow direction
- transparent sight disc allows visual inspection of oil level
- oil flow regulated by screwdriver screw adjustment, minimum flow rate is 30 SCFM
- not recommended for constant flow applications
- for reciprocating tools only
- type of oil to use: any petroleum-based, non-detergent light weight oil (SAE 10/150SSU) which will readily break up into a mist, i.e., Mobil DTE light or comparable oil, do not use any synthetic oil or oils containing additives or solvents



NPT Size	Oil Capacity	Maximum Working Pressure at Ambient Temperature (70°F)	Air Flow at 70 PSI	Aluminum Part #
1/2"	1.4 fluid ozs.	<b>500 PSI</b>	30 SCFM	<b>PL300</b>
3/4"	3.7 fluid ozs.	<b>200 PSI</b>	70 SCFM	<b>PL400</b>
3/4"	11.0 fluid ozs.	<b>300 PSI</b>	70 SCFM	<b>PL400L</b>
1"	16.0 fluid ozs.	<b>250 PSI</b>	100 SCFM	<b>PL500</b>

## Compressor Y

**Application:**

- converts a single supply source to a dual outlet

Female NPT Inlet (1)	Male NPT Outlets (2)	Iron Part #
1"	3/4"	<b>Y10075</b>



## Air King with Ferrules

**Features:**

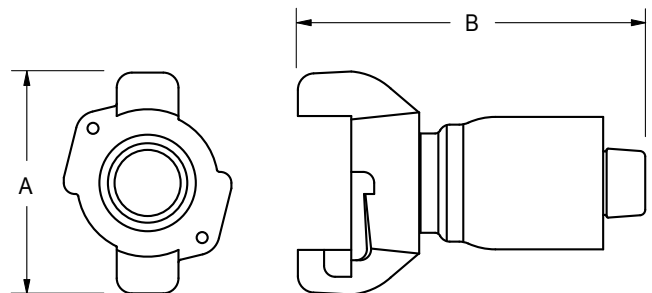
- working pressure: **150 PSI** at ambient temperature (70°F)
- design provides quick, easy and effective coupling of air hose
- interlocking ferrule can be crimped or swaged to achieve maximum coupling sealing and retention with a low profile streamline appearance, for crimp or swage diameter recommendations see page 10
- for air and water service only



Style	Hose OD		Iron Part #	316 Stain. Steel Part #
	Part #	Price/E		
1/2"	5/4/64"	1-2/64"	<b>AM1WF</b>	---
3/4"	1-4/64"	1-22/64"	<b>AM6WF</b>	<b>RAM6WF</b>
1"	1-18/64"	1-34/64"	<b>AM11WF-1</b>	---
1"	1-30/64"	1-46/64"	<b>AM11WF</b>	---

**Dimensions**

Size	A	B
1/2"	2 1/2"	3-7/16"
3/4"	2 1/2"	3-15/16"
1"	2 1/2"	4-25/32"



## Crimp Air King Recommendation Guide

The crimp recommendation charts on pages 10-11 are only guides. They will not apply to every coupling situation. In some instances alternative dies and crimping dimensions must be employed to ensure safety. Experience has shown that variances in the construction of similar hoses and couplings may cause some assemblies to react differently when crimped. It is not uncommon to find hose with an outer diameter that fluctuates from one end to the other or from production lot to production lot. These inconsistencies coupled with the inherent differences between textile or wire braid, hard or soft wall, the presence or absence of an internal spiral wire and the differences in hose coverings make it difficult to establish hard and fast rules. Therefore, its imperative that hose dimensions are accurately measured, assemblies are tested, and documentation is maintained.

Hose ID	Part #	Hose OD		Crimp Diameter (±0.005)	Crimp Length	% Reduction		
		Fractional	Decimal					
½"	<b>AM1WF</b>	54/64	0.843	0.906	1-1/4	18.3		
		55/64	0.859	0.937	1-1/4	13.2		
		56/64	0.875	0.937	1-1/4	16.9		
		57/64	0.890	0.968	1-1/4	12.1		
		58/64	0.906	0.968	1-1/4	15.5		
		59/64	0.921	1.000	1-1/4	11.1		
		60/64	0.937	1.000	1-1/4	14.4		
		61/64	0.953	1.000	1-1/4	17.2		
		62/64	0.968	1.031	1-1/4	13.4		
		63/64	0.984	1.031	1-1/4	16.1		
		1	1.000	1.062	1-1/4	12.7		
		1-1/64	1.015	1.062	1-1/4	15.3		
1-2/64	1.031	1.093	1-1/4	12.0				
¾"	<b>AM6WF RAM6WF</b>	1-4/64	1.062	1.156	1-1/4	13.4		
		1-5/64	1.078	1.156	1-1/4	17.3		
		1-6/64	1.093	1.187	1-1/4	11.9		
		1-7/64	1.109	1.187	1-1/4	15.8		
		1-8/64	1.125	1.218	1-1/4	11.2		
		1-9/64	1.140	1.218	1-1/4	14.6		
		1-10/64	1.156	1.218	1-1/4	17.5		
		1-11/64	1.171	1.250	1-1/4	13.0		
		1-12/64	1.187	1.250	1-1/4	16.2		
		1-13/64	1.203	1.281	1-1/4	12.3		
		1-14/64	1.218	1.281	1-1/4	15.1		
		1-15/64	1.234	1.312	1-1/4	11.5		
		1-16/64	1.250	1.312	1-1/4	14.4		
		1-17/64	1.265	1.312	1-1/4	16.9		
		1-18/64	1.281	1.343	1-1/4	13.5		
		1-19/64	1.296	1.343	1-1/4	15.9		
		1-20/64	1.312	1.375	1-1/4	12.6		
		1-21/64	1.328	1.375	1-1/4	15.0		
		1-22/64	1.343	1.406	1-1/4	12.1		
		1"	<b>AM11WF-1</b>	1-18/64	1.281	1.375	1-1/2	16.7
				1-19/64	1.296	1.375	1-1/2	20.5
				1-20/64	1.312	1.406	1-1/2	15.0
1-21/64	1.328			1.406	1-1/2	18.6		
1-22/64	1.343			1.437	1-1/2	13.7		
1-23/64	1.359			1.437	1-1/2	17.5		
1-24/64	1.375			1.468	1-1/2	12.8		
1-25/64	1.390			1.468	1-1/2	16.1		
1-26/64	1.406			1.500	1-1/2	11.5		
1-27/64	1.421			1.500	1-1/2	14.7		
1-28/64	1.437			1.500	1-1/2	17.6		
1-29/64	1.453			1.531	1-1/2	13.9		
<b>AM11WF-1 AM11WF</b>	1-30/64		1.468	1.531	1-1/2	16.8		
	1-31/64		1.484	1.562	1-1/2	12.8		
	1-32/64		1.500	1.562	1-1/2	15.4		
	1-33/64		1.515	1.593	1-1/2	12.0		
	1-34/64		1.531	1.593	1-1/2	14.7		
<b>AM11WF</b>	1-35/64		1.546	1.625	1-1/2	11.1		
	1-36/64		1.562	1.625	1-1/2	13.7		
	1-37/64		1.578	1.625	1-1/2	15.9		
	1-38/64		1.593	1.656	1-1/2	12.9		
	1-39/64		1.609	1.656	1-1/2	15.1		
	1-40/64		1.625	1.687	1-1/2	12.4		
	1-41/64		1.640	1.687	1-1/2	14.5		
	1-42/64		1.656	1.718	1-1/2	11.8		
	1-43/64		1.671	1.718	1-1/2	14.0		
	1-44/64		1.687	1.750	1-1/2	11.3		
	1-45/64		1.703	1.750	1-1/2	13.3		
1-46/64	1.718	1.750	1-1/2	15.1				

## Global Air King Crimp Recommendation Guide

### ½" Global Air King

Hose ID	Stem Part #	Ferrule Part #	Hose OD		Crimp Diameter (±0.005)	% Reduction
			Fractional	Decimal		
½"	<b>GAM1</b>	<b>CCF0906</b>	54/64	0.8438	0.840	15
		<b>CCF0906</b>	55/64	0.8594	0.853	15
		<b>CCF0906</b>	56/64	0.8750	0.867	15

### ¾" Global Air King

Hose ID	Stem Part #	Ferrule Part #	Hose OD		Crimp Diameter (±0.005)	% Reduction
			Fractional	Decimal		
¾"	<b>GAM6</b>	<b>CCF1120</b>	1-5/64	1.0781	1.082	20
		<b>CCF1120</b>	1-6/64	1.0938	1.094	20
		<b>CCF1149</b>	1-7/64	1.1094	1.107	20
		<b>CCF1149</b>	1-8/64	1.1250	1.119	20
		<b>CCF1190</b>	1-9/64	1.1406	1.122	20
		<b>CCF1190</b>	1-10/64	1.1563	1.134	20
		<b>CCF1218</b>	1-11/64	1.1719	1.147	20
		<b>CCF1218</b>	1-12/64	1.1875	1.159	20
		<b>CCF1246</b>	1-13/64	1.2031	1.182	20
		<b>CCF1246</b>	1-14/64	1.2188	1.194	20

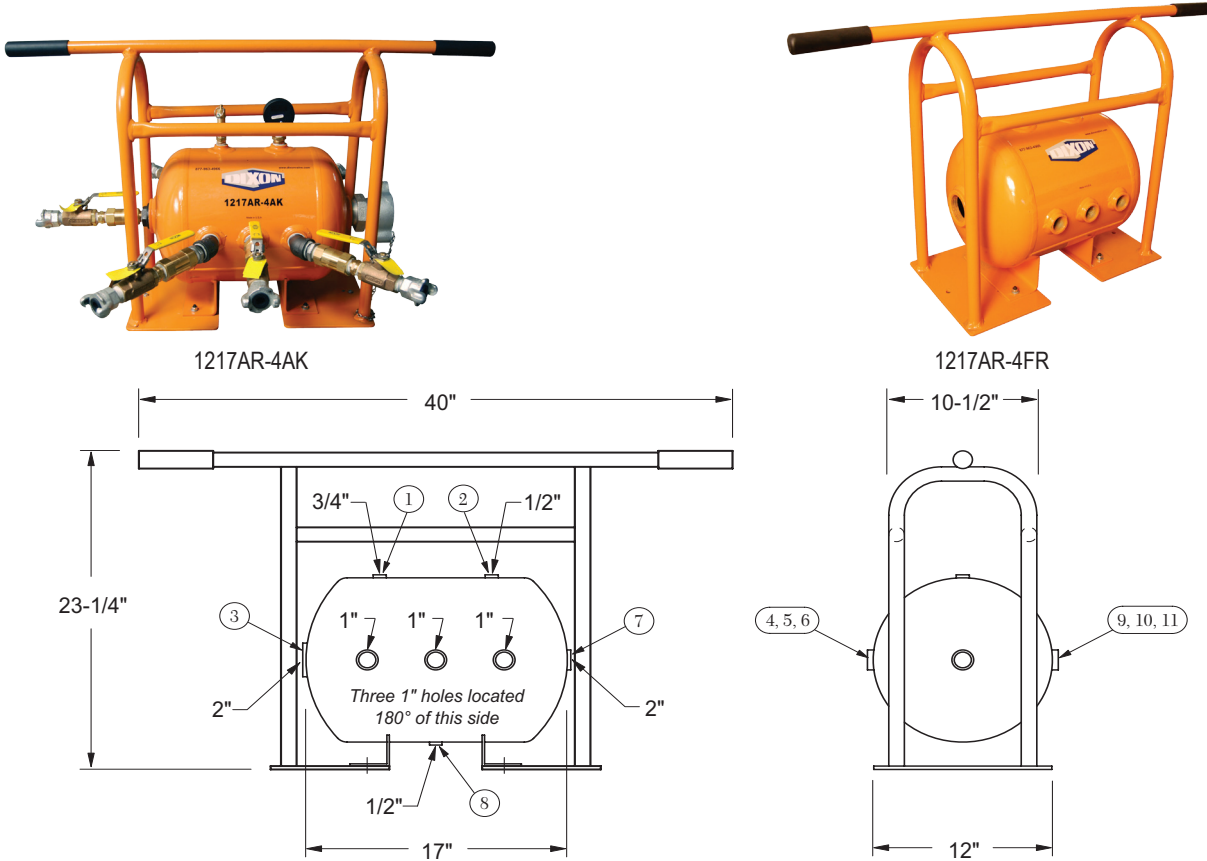
### 1" Global Air King

Hose ID	Stem Part #	Ferrule Part #	Hose OD		Crimp Diameter (±0.005)	% Reduction
			Fractional	Decimal		
1"	<b>GAM7</b>	<b>CCF1438</b>	1-25/64	1.3906	1.388	20
		<b>CCF1438</b>	1-26/64	1.4063	1.400	20
		<b>CCF1469</b>	1-27/64	1.4219	1.413	20
		<b>CCF1469</b>	1-28/64	1.4375	1.425	20
		<b>CCF1500</b>	1-29/64	1.4531	1.438	20
		<b>CCF1500</b>	1-30/64	1.4688	1.450	20
		<b>CCF1531</b>	1-31/64	1.4844	1.463	20
		<b>CCF1531</b>	1-32/64	1.5000	1.475	20

## ASME Air Receiver Manifold

**Features:**

- built to ASME Code, National Board registered
- conforms to OSHA standards 1910.169 and 1926.306
- 7 gallon capacity
- painted safety orange
- all openings are female NPT thread
- working pressure: **200 PSI**




**Dixon 1217AR-4AK air receiver manifold assembly with Air King outlet ports includes the following components:**

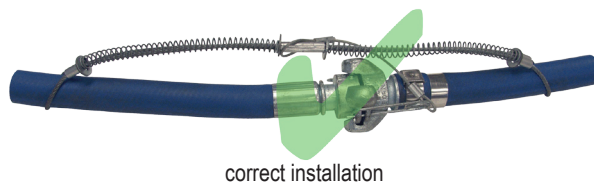
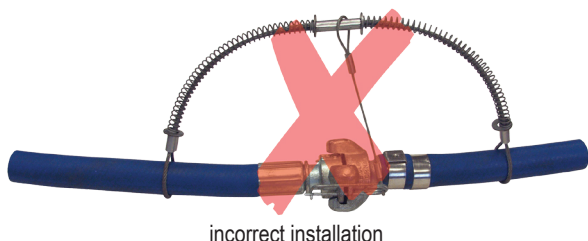
Part # / Locations	Qty	Description
<b>1217AR-4</b>	1	ASME compressed air receiver
<b>1217FRAME</b>	1	protective frame
Location 1	1	HB2F6M 3/4" male x 1/4" female hex bushing
	1	GL345 0-300 PSI gauge
Location 2	1	HB2F4M 1/2" male x 1/4" female hex bushing
	1	SV200 safety pop-off valve
Location 3	1	GM28 2" male spud
	1	B27SC wing nut cap
Locations 4, 5, 6, 9, 10, 11	6	HB1075G 1" male x 3/4" female bushings
	6	BCN75 3/4" brass hex nipples
	6	BBLV75 ball valves
	6	SCVS6 safety shut-off valves
	6	AM7 Air King universal couplings
Location 7	4	SE45100 45° street elbow (1 each in locations 4, 6, 9 and 11 only)
	1	HB2075 2" male x 3/4" female bushing
	1	BCN75 3/4" brass hex nipples
	1	BBLV75 ball valve
	1	SCVS6 safety shut-off valve
Location 8	1	AM7 Air King universal coupling
	1	HB2F4M 1/2" male x 1/4" female hex bushing
	1	D04 1/4" drain cock
<b>1217AR-4AK</b>	---	Labor cost for assembly of complete unit
	1	<b>7 gallon ASME compressed air receiver manifold complete assembly with Air King</b>
		<b>Tank and Frame only</b>
<b>1217AR-4FR</b>	1	7 gallon ASME compressed air receiver with frame only



## King Safety Cables

### Features:

- must be installed in the extended position (no slack) 
- cable reaches across hose fittings to provide standby safety for hose
- spring-loaded loops in the cable ends open easily to pass over the couplings for a firm grip on the hose
- no tools needed - easy to install and remove
- cables shipped with safety restraint labels attached
- highly resistant to rust and corrosion
- low cost answer to eliminating injuries caused by broken air hose connections
- hose-to-hose or hose-to-rigid outlet
- maximum operating pressure: **200 PSI**
- When hose, couplings or clamps fail, or there is an accidental separation of the assembly, King safety cables minimize damage to equipment and injuries to operators. A positive safeguard for air hose connections - helping you meet today's safety standards.



### Style WSR, for hose-to-tool service

Hose ID	Cable	Length	Maximum Working Pressure (PSI)	Steel Part #	Stainless Steel Part #
1/2" - 1 1/4"	1/8"	20 1/4"	<b>200</b>	<b>WSR1</b>	<b>WSR1SS</b>
1/2" - 2"	3/16"	28"	<b>200</b>	<b>WSR3</b>	---
1 1/2" - 3"	1/4"	38"	<b>200</b>	<b>WSR2</b>	<b>WSR2SS</b>
4"	3/8"	44"	<b>200</b>	<b>WSR4</b>	---



### Style W, for hose-to-hose service

Hose ID	Cable	Length	Maximum Working Pressure (PSI)	Steel Part #	Stainless Steel Part #
1/2" - 1 1/4"	1/8"	20 1/4"	<b>200</b>	<b>WB1</b>	<b>WB1SS</b>
1/2" - 2"	3/16"	28"	<b>200</b>	<b>WB3</b>	---
1 1/2" - 3"	1/4"	38"	<b>200</b>	<b>WA2</b>	<b>WA2SS</b>
4"	3/8"	44"	<b>200</b>	<b>WA4</b>	---

## King Safety Cable Options



**WB1C**

WB1 with safety clip and lanyard



**WSR1E**

WSR1E with stainless steel marine eye

Hose ID	Cable	Part #	Description	Maximum Working Pressure PSI
1/2" - 1 1/4"	1/8"	<b>WSR1C</b>	WSR1 with safety clip and lanyard used to lock Air King couplings	<b>200</b>
1/2" - 1 1/4"	1/8"	<b>WB1C</b>	WB1 with safety clip and lanyard used to lock Air King couplings	<b>200</b>
1/2" - 1 1/4"	1/8"	<b>WSR1E</b>	WSR1 with stainless steel safety marine eye used to connect safety cable to a bolt on tool	<b>200</b>
1 1/2" - 3"	1/4"	<b>WA2B</b>	WA2 with bronze/copper ferrule for special environmental conditions	<b>200</b>

## King Safety Whipsock

### Application:

- used in high pressure applications such as air, water, hydraulic and slurry

### Features:



- King Safety Whipsocks keep the hose under control in the event of a high-pressure hose assembly failure.
- dual anchor points secured beyond the fittings eliminate hose whip
- be sure the anchoring points are rated for the application
- galvanized steel woven stockings extend down the hose to grip securely over a larger area preventing whip, abrasion and wear
- contact Dixon with questions regarding working pressure, available options or custom configurations



Size	OD Range	Length	Maximum Working Pressure PSI	Galvanized Steel Part #
3/8"	.315" - .5512"	15.75"	<b>5000</b>	<b>KSW06</b>
1/2"	.5512" - .7874"	21.65"	<b>3000</b>	<b>KSW08</b>
3/4"	.7874" - 1.181"	25.20"	<b>2000</b>	<b>KSW12</b>
1"	1.181" - 1.575"	34.25"	<b>1500</b>	<b>KSW16</b>
1 1/4"	1.575" - 1.969"	38.19"	<b>1000</b>	<b>KSW20</b>
1 1/2"	1.969" - 2.362"	49.21"	<b>700</b>	<b>KSW24</b>
2"	2.362" - 2.756"	51.18"	<b>1300</b>	<b>KSW32</b>
2 1/2"	2.756" - 3.346"	53.15"	<b>800</b>	<b>KSW40</b>
3"	3.346" - 3.937"	72.44"	<b>750</b>	<b>KSW48</b>
3 1/2"	3.937" - 4.724"	72.05"	<b>550</b>	<b>KSW56</b>
4"	4.724" - 5.512"	86.61"	<b>550</b>	<b>KSW64</b>
6"	5.512" - 7.087"	93.31"	<b>250</b>	<b>KSW96</b>

# OSHA Regulations

## Standards - 29 CFR, 1910.242 (partial):

(b) Compressed air used for cleaning - Compressed air shall not be used for cleaning purposes except where reduced to less than 30 PSI and then only with effective chip guarding and personal protective equipment.

## Standards - 29 CFR, 1915.131 (partial):

(e) Before use, pneumatic tools shall be secured to the extension hose or whip by some positive means to prevent the tool from becoming accidentally disconnected from the whip.

## Standards - 29 CFR, 1926.302 (partial):

(b)(1) Pneumatic power tools shall be secured to the hose or whip by some positive means to prevent the tool from becoming accidentally disconnected.

(b)(2) Safety clips or retainers shall be securely installed and maintained on pneumatic impact (percussion) tools to prevent attachments from being accidentally expelled.

(b)(3) All pneumatically driven nailers, staplers and other similar equipment provided with automatic fastener feed, which operate at more than 100 PSI pressure at the tool shall have a safety device on the muzzle to prevent the tool from ejecting fasteners, unless the muzzle is in contact with the work surface.

(b)(4) Compressed air shall not be used for cleaning purposes except where reduced to 30 PSI and then only with effective chip guarding and personal protective equipment which meets the requirements of Subpart E of this part. The 30 PSI requirement does not apply for concrete form, mill scale and similar cleaning purposes.

(b)(5) The manufacturer's safe operating pressure for hoses, pipes, valves, filters and other fittings shall not be exceeded.

(b)(6) The use of hoses for hoisting or lowering tools shall not be permitted.

(b)(7) All hoses exceeding ½" inside diameter shall have a safety device at the source of supply or branch line to reduce pressure in case of hose failure.

## Standards - 29 CFR, 1926.306:

### (a) General requirements

(a)(1) Application. This section applies to compressed air receivers, and other equipment used in providing and utilizing compressed air for performing operations such as cleaning, drilling, hoisting, and chipping. On the other hand, however, this section does not deal with the special problems created by using compressed air to convey materials nor the problems created when men work in compressed air as in tunnels and caissons. This section is not intended to apply to compressed air machinery and equipment used on transportation vehicles such as steam railroad cars, electric railway cars, and automotive equipment.

### (a)(2) New and existing equipment.

(a)(2)(i) All new air receivers installed after the effective date of these regulations shall be constructed in accordance with the 1968 edition of the A.S.M.E. Boiler and Pressure Vessel Code Section VIII.

(a)(2)(ii) All safety valves used shall be constructed, installed and maintained in accordance with the A.S.M.E. Boiler and Pressure Vessel Code, Section VIII Edition 1968.

### (b) Installation and equipment requirements

(b)(1) Installation. Air receivers shall be so installed that all drains, handholes, and manholes therein are easily accessible. Under no circumstances shall an air receiver be buried underground or located in an inaccessible place.

(b)(2) Drains and traps. A drain pipe and valve shall be installed at the lowest point of every air receiver to provide for the removal of accumulated oil and water. Adequate automatic traps may be installed in addition to drain valves. The drain valve on the air receiver shall be opened and the receiver completely drained frequently and at such intervals as to prevent the accumulation of excessive amounts of liquid in the receiver.

### (b)(3) Gauges and valves.

(b)(3)(i) Every air receiver shall be equipped with an indicating pressure gauge (so located as to be readily visible) and with one or more spring-loaded safety valves. The total relieving capacity of such safety valves shall be such as to prevent pressure in the receiver from exceeding the maximum allowable working pressure of the receiver by more than 10 percent.

(b)(3)(ii) No valve of any type shall be placed between the air receiver and its safety valve or valves.

## Standards - 29 CFR, 1926.603 (partial):

(a)(9) Steam hose leading to a steam hammer or jet pipe shall be securely attached to the hammer with an adequate length of at least ¼" diameter chain or cable to prevent whipping in the event the joint at the hammer is broken. Air hammer hoses shall be provided with the same protection as required for steam lines.

(a)(10) Safety chains, or equivalent means, shall be provided for each hose connection to prevent the line from thrashing around in case the coupling becomes disconnected.

*The regulations may be viewed in full on the OSHA website, [osha.gov](http://osha.gov), please check the website for updates.*

Dixon, founded in 1916, is a premier manufacturer and supplier of hose couplings, valves, dry-disconnects, swivels, and other fluid transfer and control products. The company's global reach includes a wide range of products for numerous industries including petroleum exploration, refining, transportation, chemical processing, food & beverage, steel, fire protection, construction, mining and manufacturing. Dixon's strategic objective is to create solutions that make products safer, leak-free, longer lasting, and always available.

**dixonvalve.com • Customer Service: 877.963.4966**

## Dixon Valve

800 High Street, Chestertown, MD 21620

Fax: 800.283.4966



YouTube™



Dixon  
Customer Service

