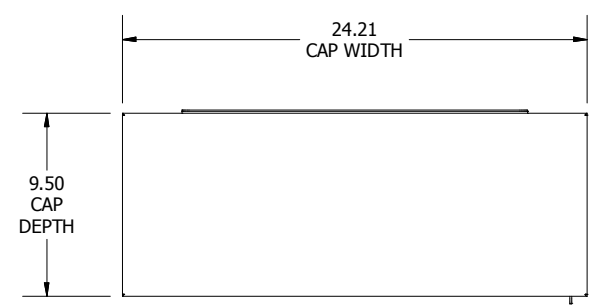
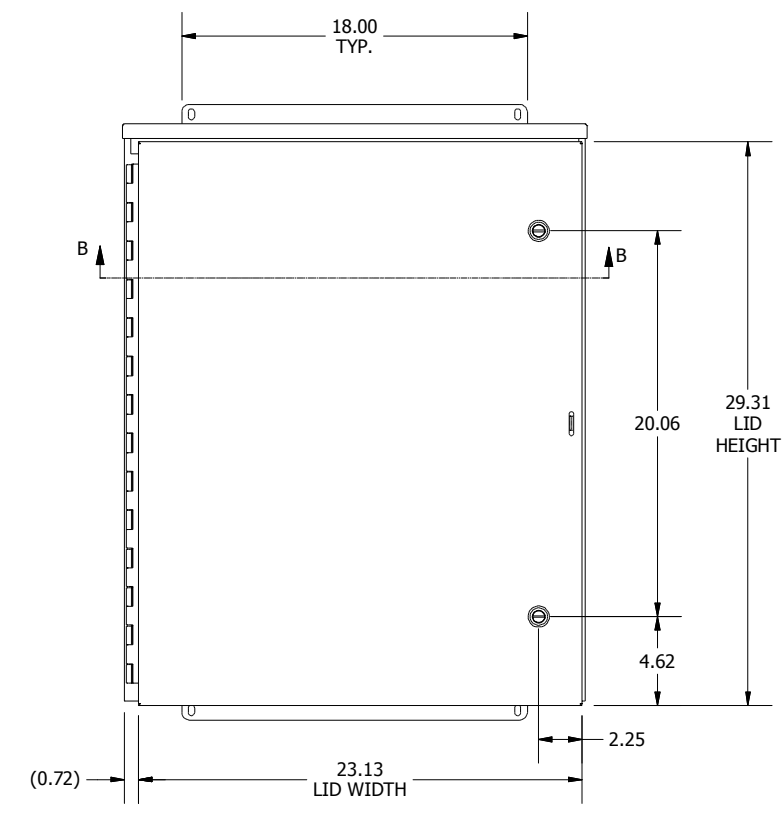


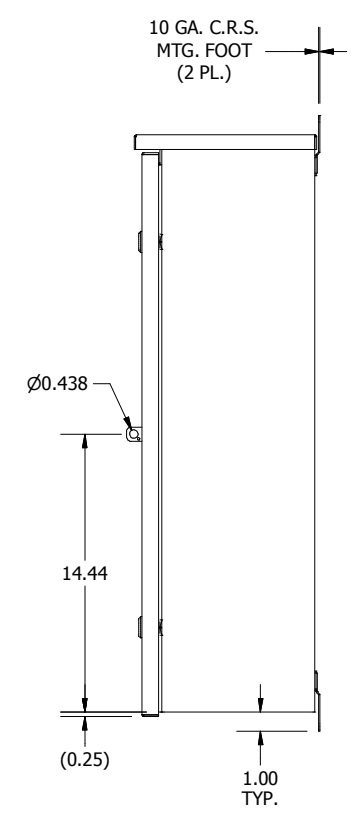
REVISION HISTORY			
REV	DESCRIPTION	BY	DATE
A	ECO#: HFW161018-02	VD	02/06/2017



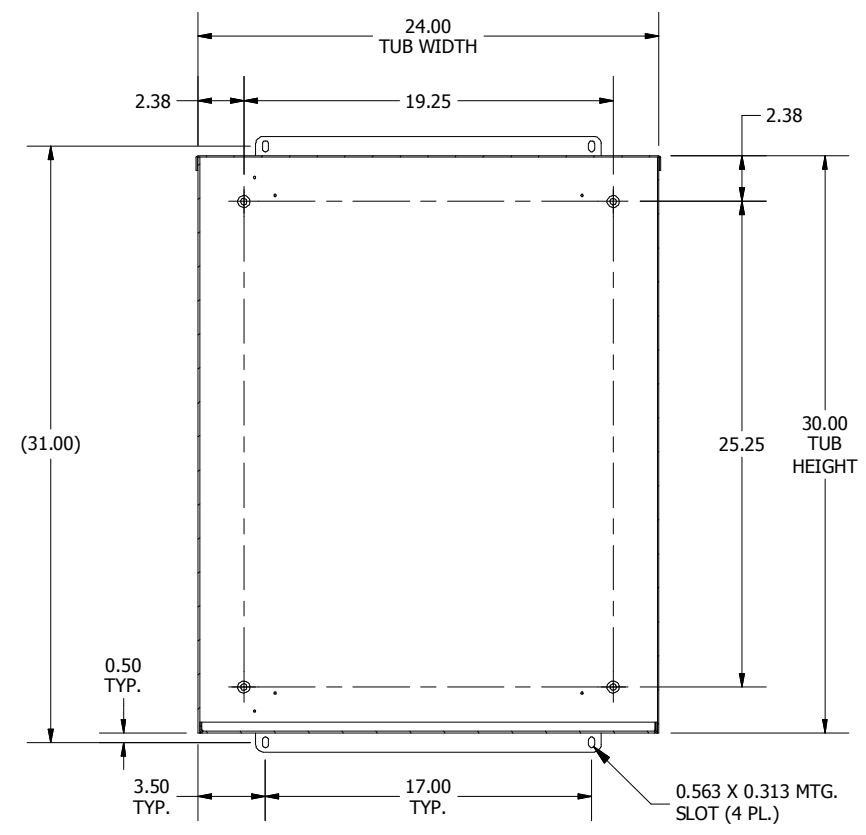
**TOP VIEW**



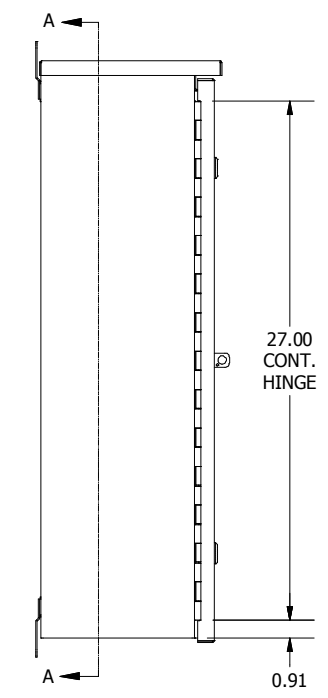
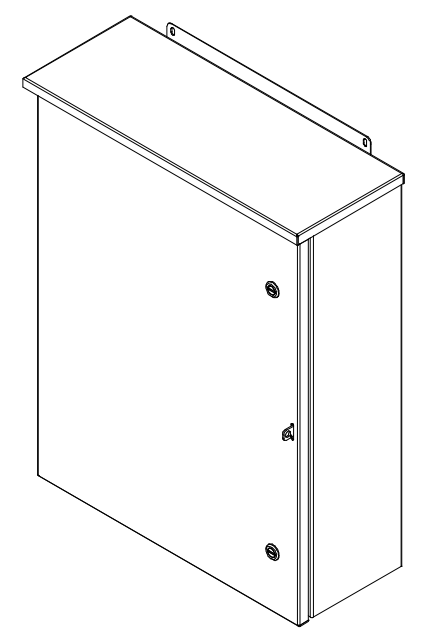
**FRONT VIEW**



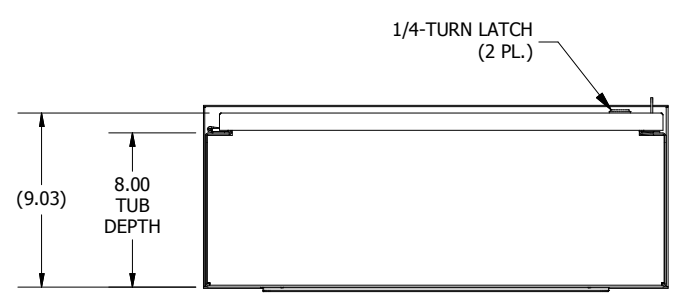
**RIGHT SIDE VIEW**



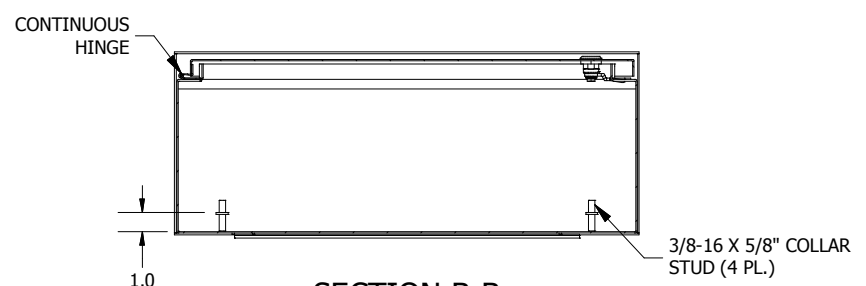
**SECTION A-A  
(INSIDE BACK OF ENCL.)**



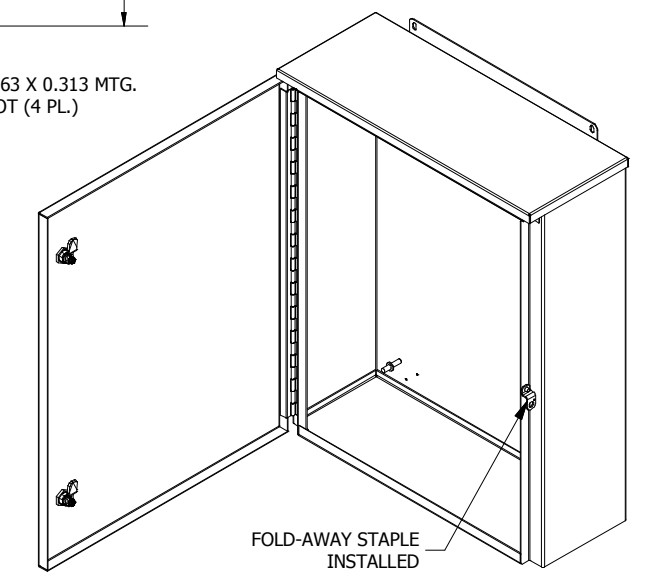
**LEFT SIDE VIEW**



**BOTTOM VIEW**




**SECTION B-B  
(INSIDE TOP OF ENCL.)**



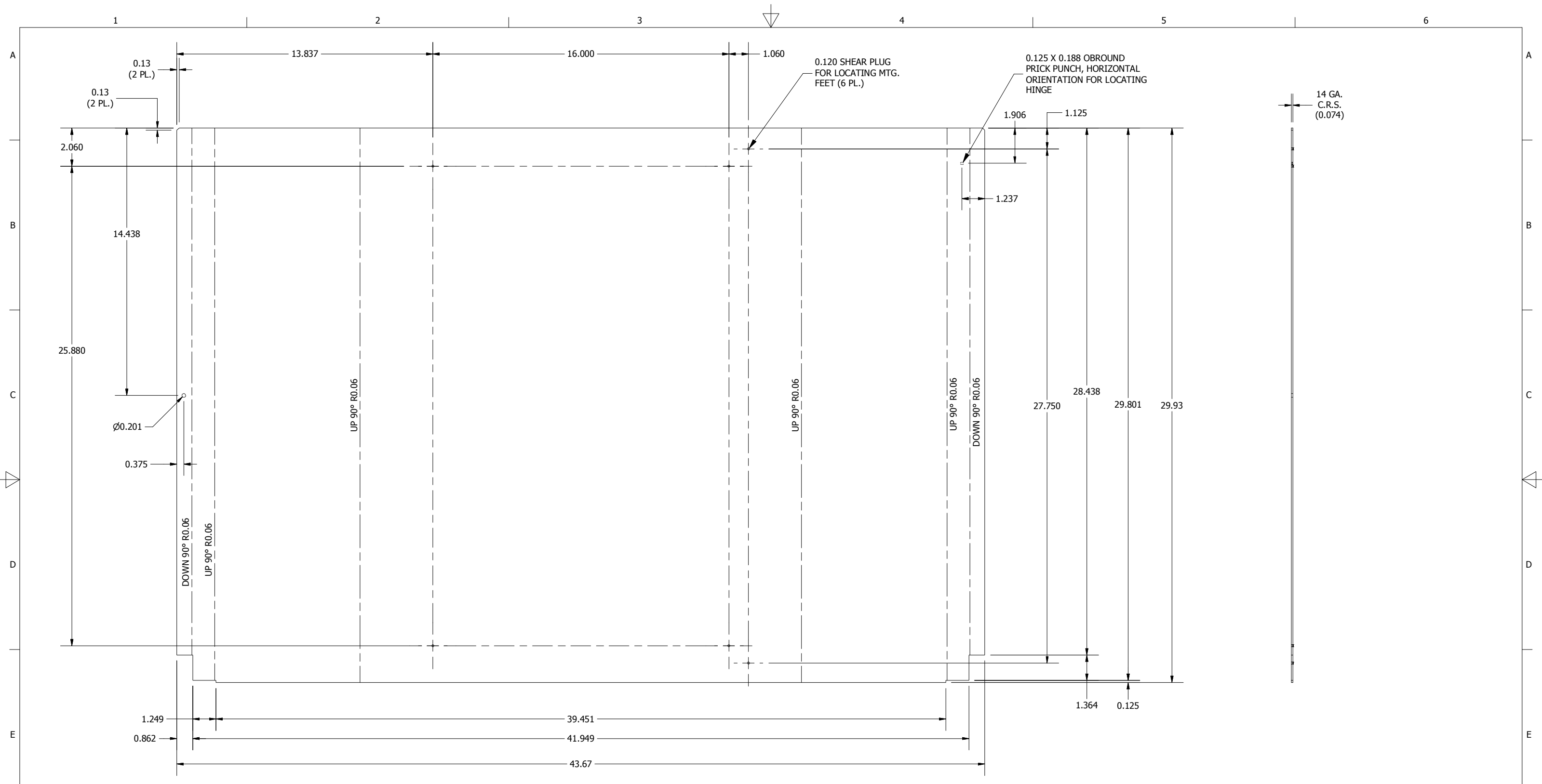
- NOTES:**
1. ALL DIMENSIONS ARE FROM OUTSIDE UNLESS OTHERWISE NOTED.
  2. ENCLOSURE IS FABRICATED FROM 14 GA. CARBON STEEL.
  3. COLLAR STUDS ARE PROVIDED FOR MOUNTING OPTIONAL SUB PANEL.
  4. ENCLOSURE IS WELDED TOGETHER.
  5. FINISH: ANSI-61 GRAY TEXTURE POLYESTER POWDER (INTERIOR/EXTERIOR).
  6. ENCLOSURE IS RATED UL TYPE 3R.

DIMENSIONS ARE IN INCHES (MM). TOLERANCES UNLESS OTHERWISE SPECIFIED ARE AS FOLLOWS:  
.X = ±.06 (1.6)  
.XX = ±.031 (.8)  
.XXX = ±.016 (.25)  
Ø = ±.005  
ANGLE TOL ±1'


**WIEGMANN**  
 FREEBURG, ILLINOIS, USA

-NOTICE- THIS DRAWING IS THE PROPERTY OF WIEGMANN, A DIVISION OF HUBBELL INCORPORATED. IT IS LOANED TO YOU AND MUST NOT BE USED IN ANY WAY DETRIMENTAL TO THE INTEREST OF WIEGMANN.

PART NUMBER: RHC302408	MATERIAL: SEE NOTE	SCALE: NONE	CHK'D DATE: 6/26/2014
DESCRIPTION: RHC, NEMA 3R ENCL., CS, 30X24X8		DRAWN BY: PS	CREATED ON: 6/27/2014
		CHK'D BY: VR	DWG. NO. HWRHC302408_1
		SHEET 1 OF 9	REV. A



**BLR FLAT PATTERN VIEW**

**FLAT SIDE VIEW**

DIMENSIONS ARE IN INCHES (MM). TOLERANCES UNLESS OTHERWISE SPECIFIED ARE AS FOLLOWS:  
 .X = ±.06 (1.6)  
 .XX = ±.031 (.8)  
 .XXX = ±.016 (.25)  
 Ø = ±.005  
 ANGLE TOL ±1'

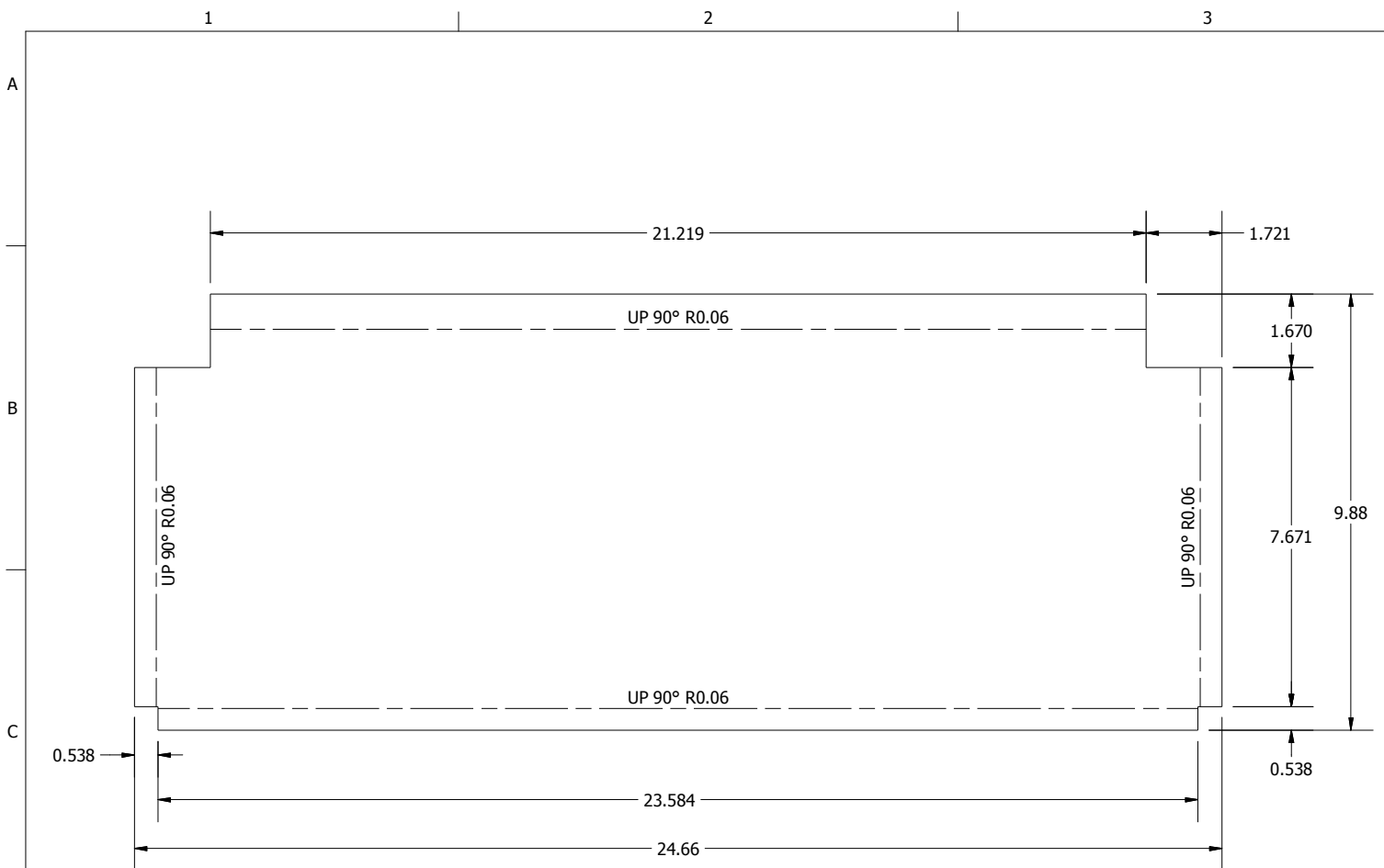


**WIEGMANN**  
 FREEBURG, ILLINOIS, USA

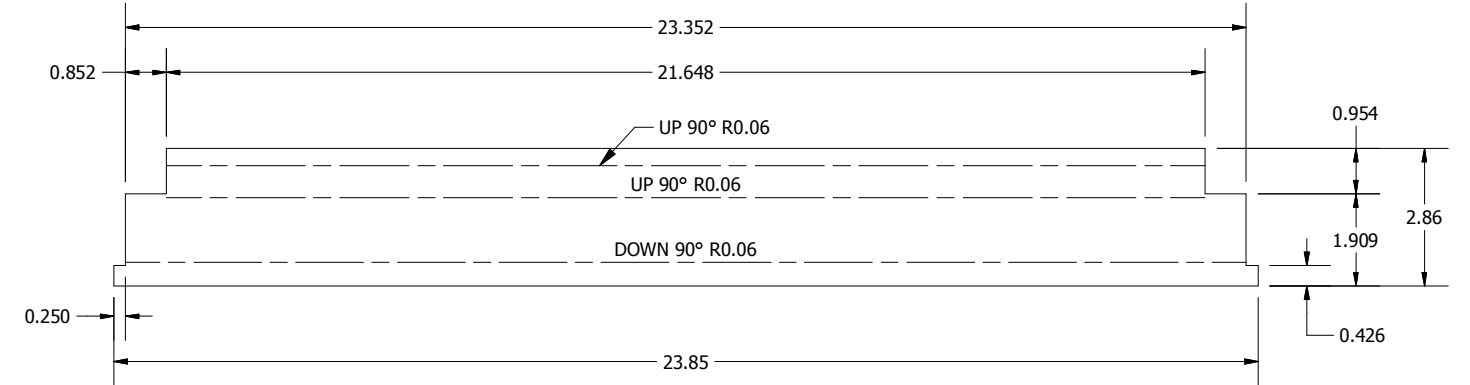
-NOTICE- THIS DRAWING IS THE PROPERTY OF WIEGMANN, A DIVISION OF HUBBELL INCORPORATED. IT IS LOANED TO YOU AND MUST NOT BE USED IN ANY WAY DETRIMENTAL TO THE INTEREST OF WIEGMANN.

PART NUMBER: RHC302408BLR	MATERIAL: SEE NOTE	SCALE: NONE	CHK'D DATE: 6/26/2014
		DRAWN BY: PS	CREATED ON: 6/27/2014
DESCRIPTION: RHC, BLR, MEDIUM, CS, 30X24X8		CHK'D BY: VR	DWG. NO. HWRHC302408_2.1
		REV. A	
SHEET 2 OF 9		6	





BOTTOM ENDWALL FLAT PATTERN VIEW



TOP ENDWALL FLAT PATTERN VIEW



FLAT SIDE VIEW



FLAT SIDE VIEW

DIMENSIONS ARE IN INCHES (MM). TOLERANCES UNLESS OTHERWISE SPECIFIED ARE AS FOLLOWS:  
 .X = ±.06 (1.6)  
 .XX = ±.031 (.8)  
 .XXX = ±.016 (.25)  
 Ø = ±.005  
 ANGLE TOL ± 1°



**WIEGMANN**  
 FREEBURG, ILLINOIS, USA

—NOTICE— THIS DRAWING IS THE PROPERTY OF WIEGMANN, A DIVISION OF HUBBELL INCORPORATED. IT IS LOANED TO YOU AND MUST NOT BE USED IN ANY WAY DETRIMENTAL TO THE INTEREST OF WIEGMANN.

PART NUMBER:  
RHC2408BTM

MATERIAL:  
SEE NOTE

SCALE: NONE  
 DRAWN BY: PS  
 CHK'D BY: VR

CHK'D DATE: 6/26/2014  
 CREATED ON: 6/27/2014

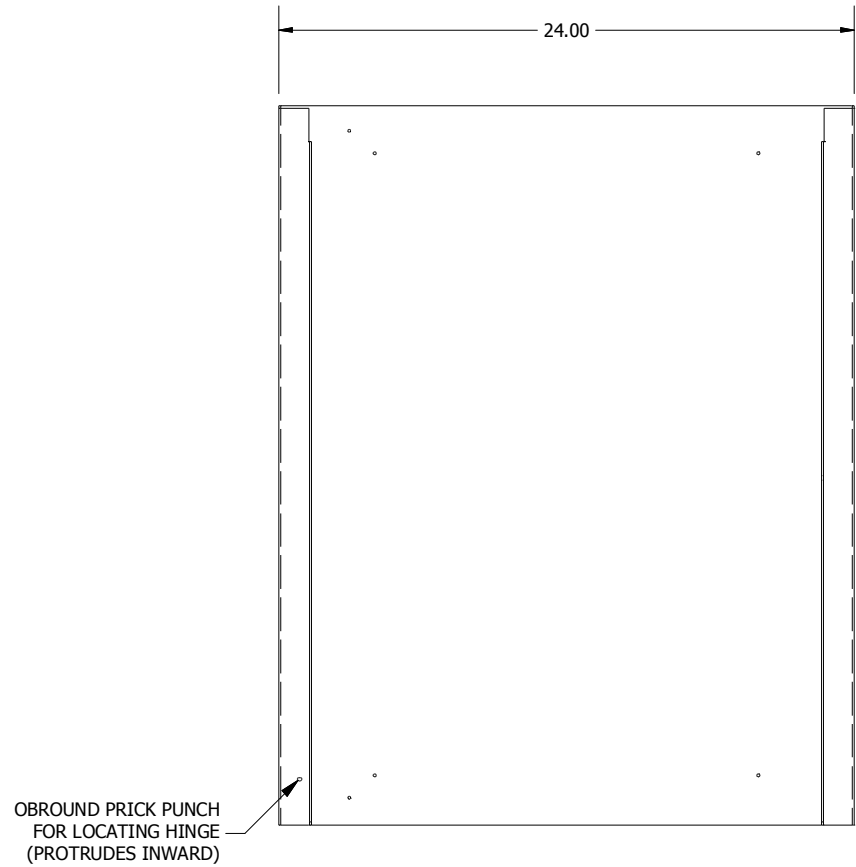
DESCRIPTION:  
RHC, BTM, CS, NEMA 3R, 24X8

DWG. NO. HWD RHC302408\_2.3  
 REV. A

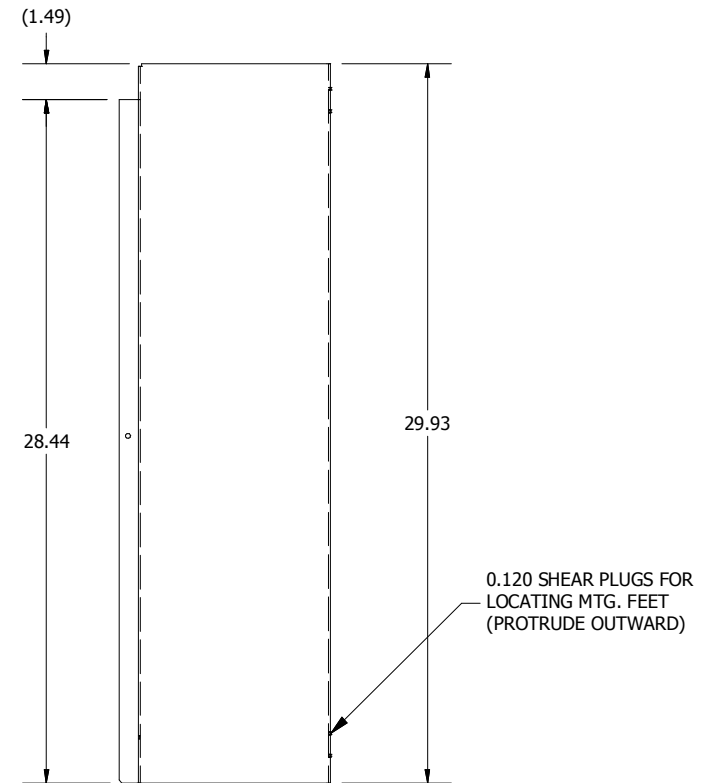
SHEET 4 OF 9

1 2 3 4 5 6

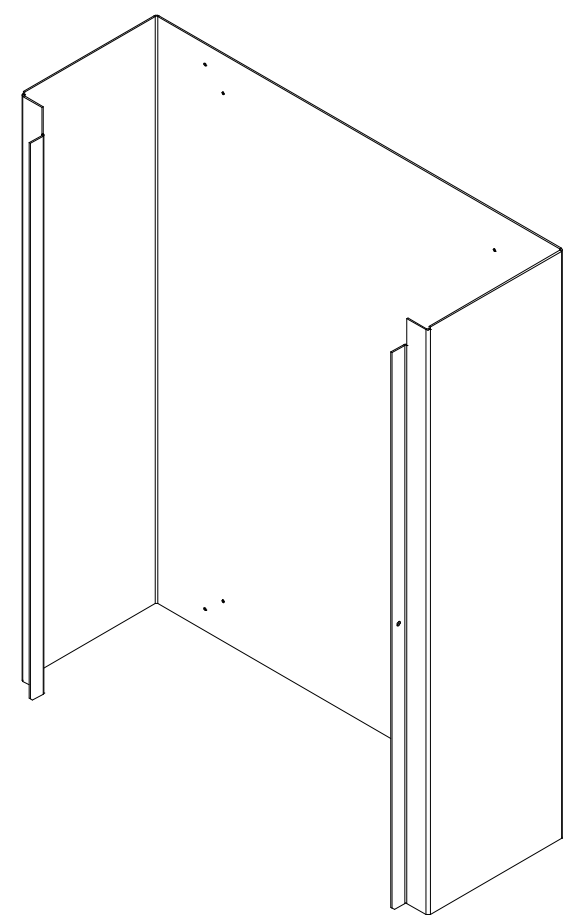
A B C D E F



BLR FRONT VIEW




SIDE VIEW



BOTTOM VIEW

DIMENSIONS ARE IN INCHES (MM). TOLERANCES UNLESS OTHERWISE SPECIFIED ARE AS FOLLOWS:  
 .X = ±.06 (1.6)  
 .XX = ±.031 (.8)  
 .XXX = ±.016 (.25)  
 Ø = ±.005  
 ANGLE TOL ±1'

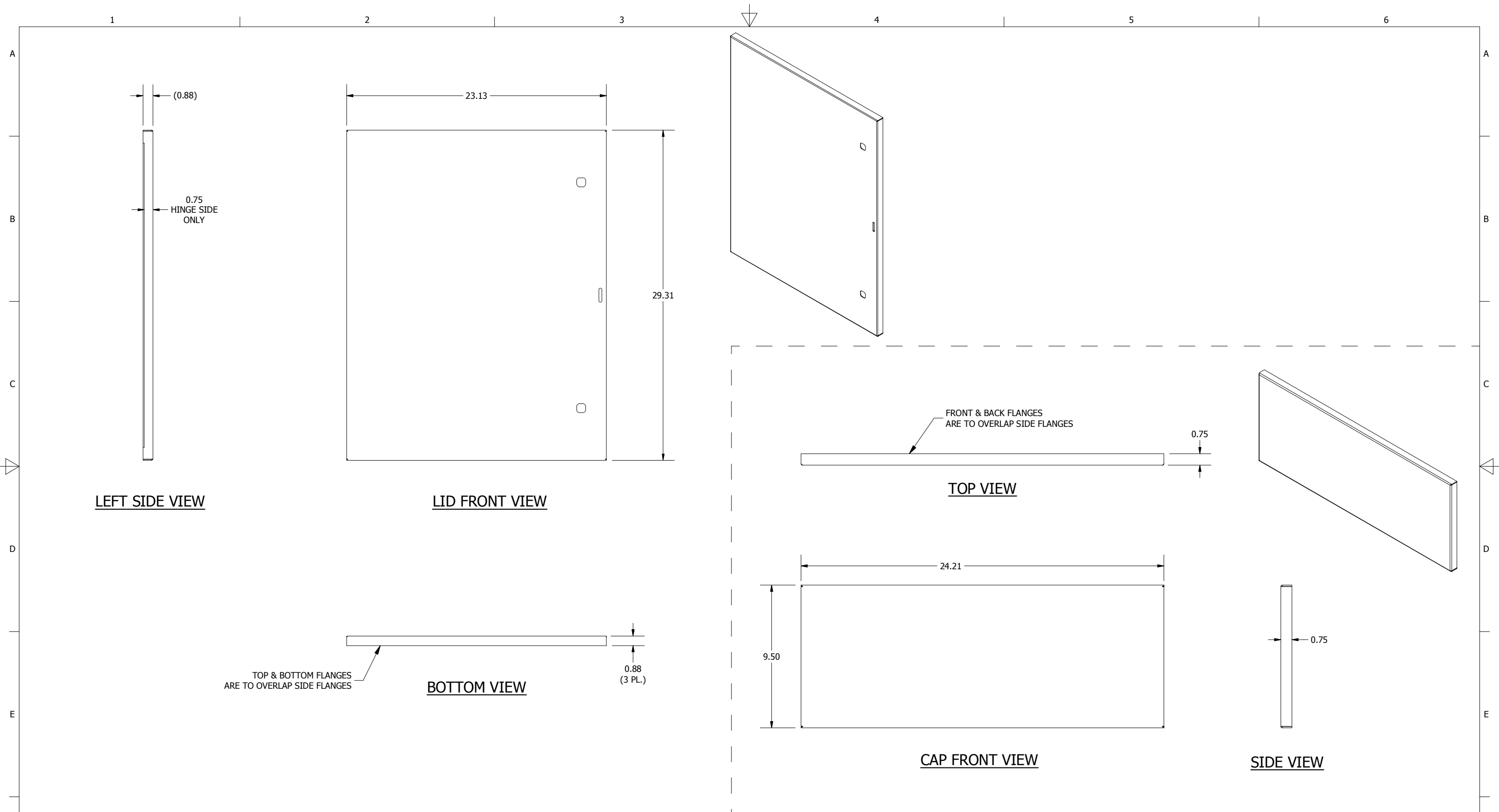

**WIEGMANN**  
 FREEBURG, ILLINOIS, USA

-NOTICE- THIS DRAWING IS THE PROPERTY OF WIEGMANN, A DIVISION OF HUBBELL INCORPORATED. IT IS LOANED TO YOU AND MUST NOT BE USED IN ANY WAY DETRIMENTAL TO THE INTEREST OF WIEGMANN.

PART NUMBER: RHC302408BLR	MATERIAL: SEE NOTE	SCALE: NONE	CHK'D DATE: 6/26/2014
		DRAWN BY: PS	CREATED ON: 6/27/2014
DESCRIPTION: RHC, BLR, MEDIUM, CS, 30X24X8		CHK'D BY: VR	DWG. NO. HWRHC302408_3.1
		REV. A	
		SHEET 5 OF 9	

1 2 3 4 5 6

F



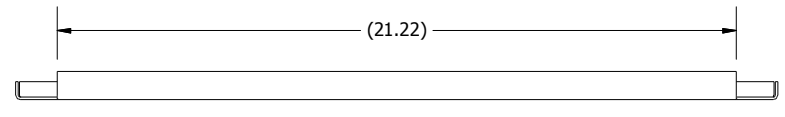
DIMENSIONS ARE IN INCHES (MM). TOLERANCES UNLESS OTHERWISE SPECIFIED ARE AS FOLLOWS:  
 .X = ±.06 (1.6)  
 .XX = ±.031 (.8)  
 .XXX = ±.016 (.25)  
 Ø = ±.005  
 ANGLE TOL ± 1°



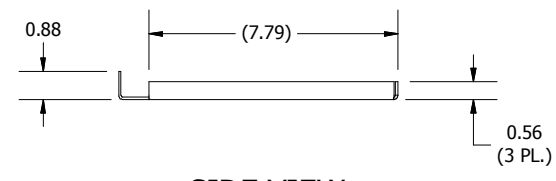
**WIEGMANN**  
 FREEBURG, ILLINOIS, USA

—NOTICE— THIS DRAWING IS THE PROPERTY OF WIEGMANN, A DIVISION OF HUBBELL INCORPORATED. IT IS LOANED TO YOU AND MUST NOT BE USED IN ANY WAY DETRIMENTAL TO THE INTEREST OF WIEGMANN.

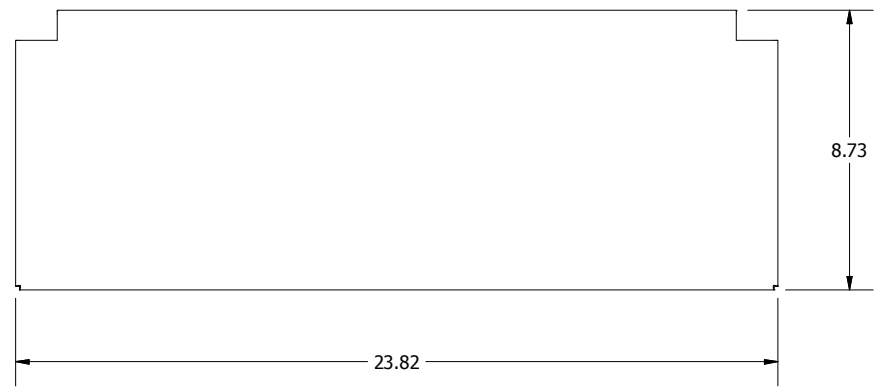
PART NUMBER: RHC3024LID	MATERIAL: SEE NOTE	SCALE: NONE	CHK'D DATE: 6/26/2014
DESCRIPTION: RHC, LID, CS, NEMA 3R, 30X24		DRAWN BY: PS	CREATED ON: 6/27/2014
		CHK'D BY: VR	DWG. NO. HWDRHC302408_3.2
		SHEET 6 OF 9	REV. A



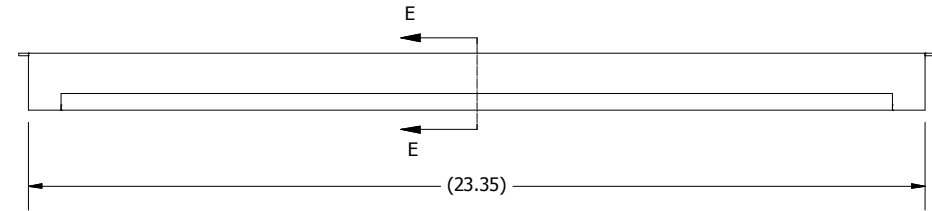
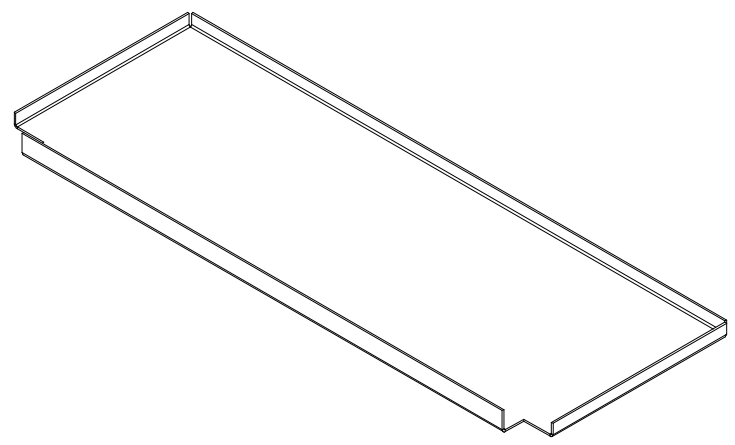
**BOTTOM ENDWALL FRONT VIEW**



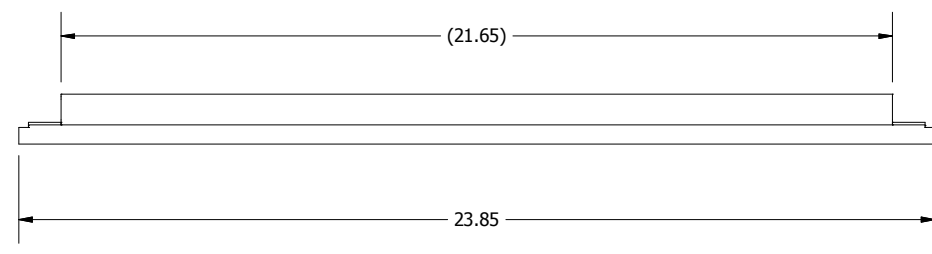
**SIDE VIEW**



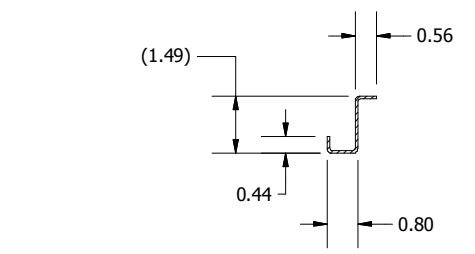
**BOTTOM VIEW**



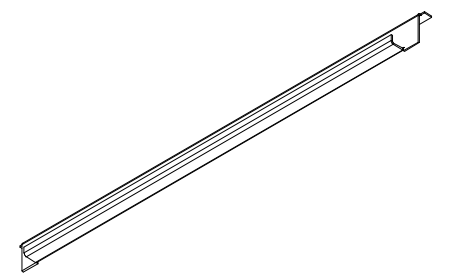
**TOP ENDWALL FRONT VIEW**



**BOTTOM VIEW**



**SECTION E-E**



DIMENSIONS ARE IN INCHES (MM). TOLERANCES UNLESS OTHERWISE SPECIFIED ARE AS FOLLOWS:  
 .X = ±.06 (1.6)  
 .XX = ±.031 (.8)  
 .XXX = ±.016 (.25)  
 Ø = ±.005  
 ANGLE TOL ±1'

**HUBBELL**® **WIEGMANN**®  
 FREEBURG, ILLINOIS, USA

—NOTICE— THIS DRAWING IS THE PROPERTY OF WIEGMANN, A DIVISION OF HUBBELL INCORPORATED. IT IS LOANED TO YOU AND MUST NOT BE USED IN ANY WAY DETRIMENTAL TO THE INTEREST OF WIEGMANN.

PART NUMBER: RHC2408BTM	MATERIAL: SEE NOTE	SCALE: NONE	CHK'D DATE: 6/26/2014
DESCRIPTION: RHC, BTM, CS, NEMA 3R, 24X8		DRAWN BY: PS	CREATED ON: 6/27/2014
		CHK'D BY: VR	DWG. NO. HWDRHC302408_3.3
		REV. A	
		SHEET 7 OF 9	

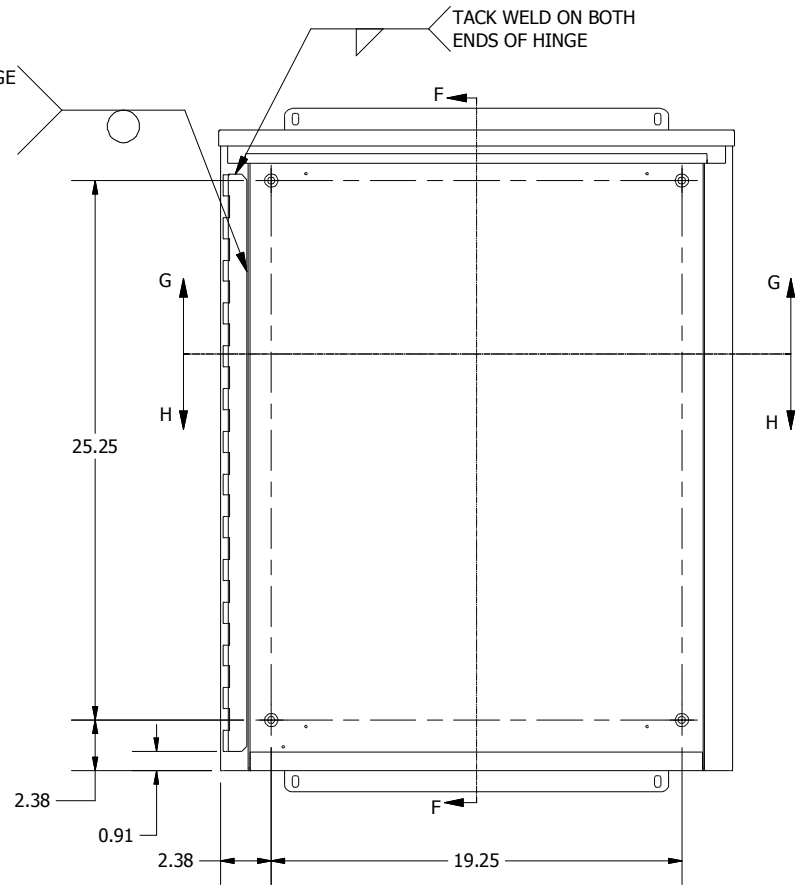
SHEET 7 OF 9	
--------------	--



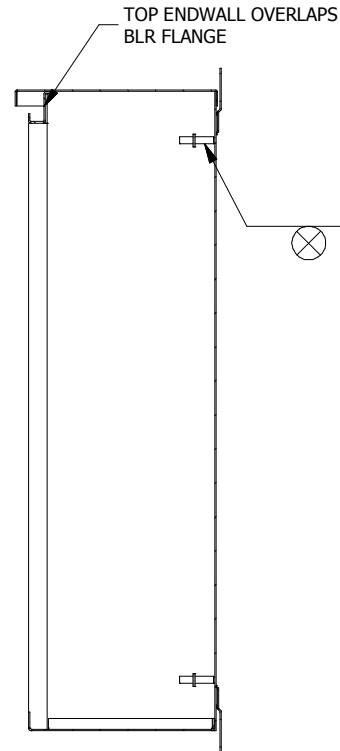
**SECTION H-H**

TACK WELD BOTTOM ENDWALL TO INSIDE OF BLR ON SIDES EVENLY & THROUGHOUT

SPOT WELD HINGE TO TUB FLANGE EVENLY & THROUGHOUT



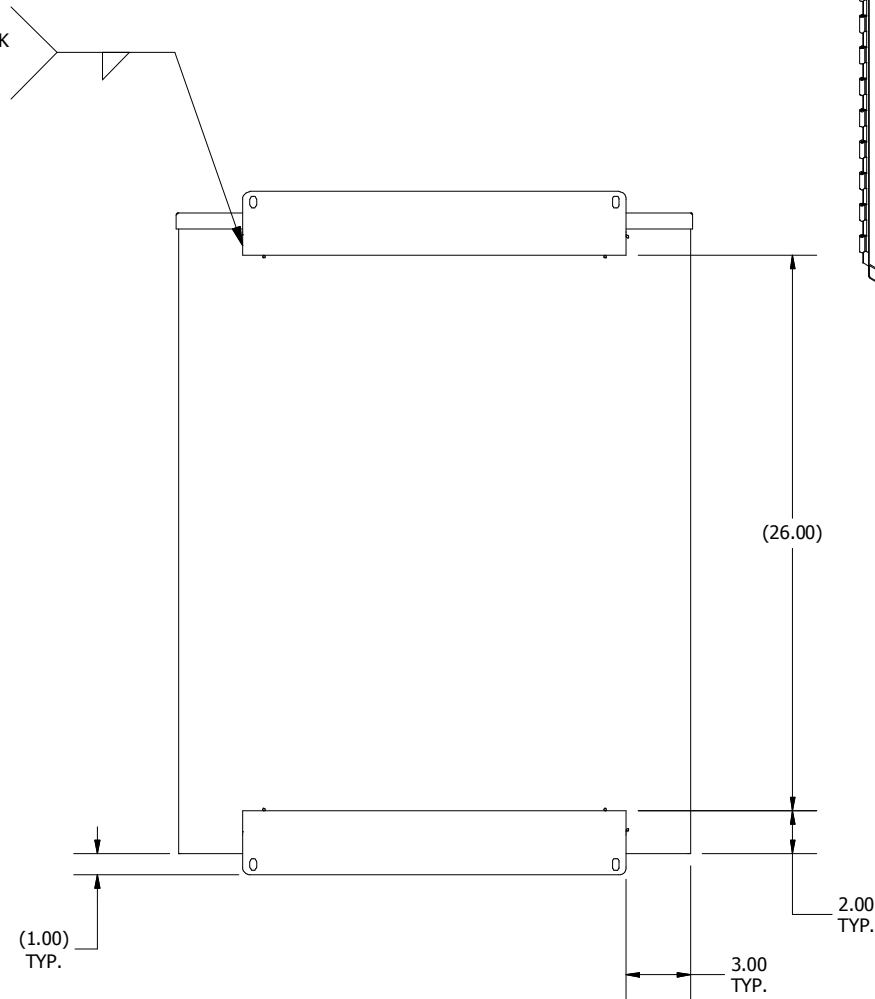
**TUB WELD FRONT VIEW**



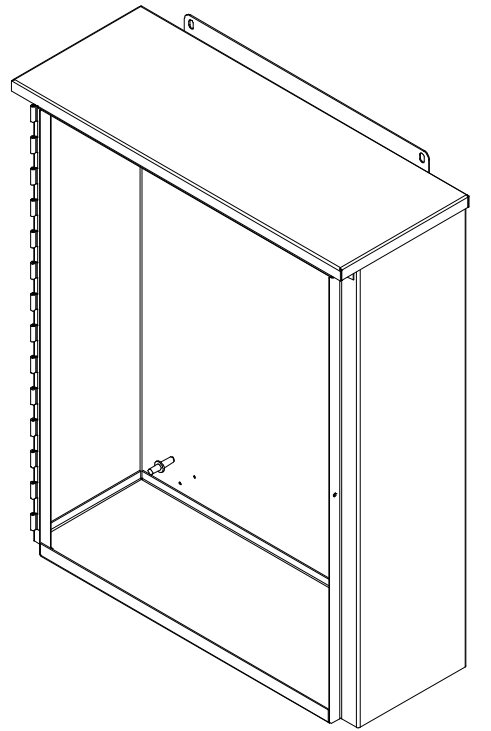
**SECTION F-F**

TACK WELD MTG. FOOT ON THREE SIDES TO BACK OF TUB EVENLY & THROUGHOUT (2 PL.)

CD WELD 3/8-16 COLLAR STUD (4 PL.)



**REAR VIEW**



**SECTION G-G**

TACK WELD CAP TO ALL BLR & TOP ENDWALL FLANGES EVENLY & THROUGHOUT

DIMENSIONS ARE IN INCHES (MM). TOLERANCES UNLESS OTHERWISE SPECIFIED ARE AS FOLLOWS:  
 .X = ±.06 (1.6)  
 .XX = ±.031 (.8)  
 .XXX = ±.016 (.25)  
 Ø = ±.005  
 ANGLE TOL ±1°



**WIEGMANN**  
 FREEBURG, ILLINOIS, USA

-NOTICE- THIS DRAWING IS THE PROPERTY OF WIEGMANN, A DIVISION OF HUBBELL INCORPORATED. IT IS LOANED TO YOU AND MUST NOT BE USED IN ANY WAY DETRIMENTAL TO THE INTEREST OF WIEGMANN.

PART NUMBER:  
RHC302408

MATERIAL:  
SEE NOTE

SCALE: NONE  
 DRAWN BY: PS  
 CHK'D BY: VR

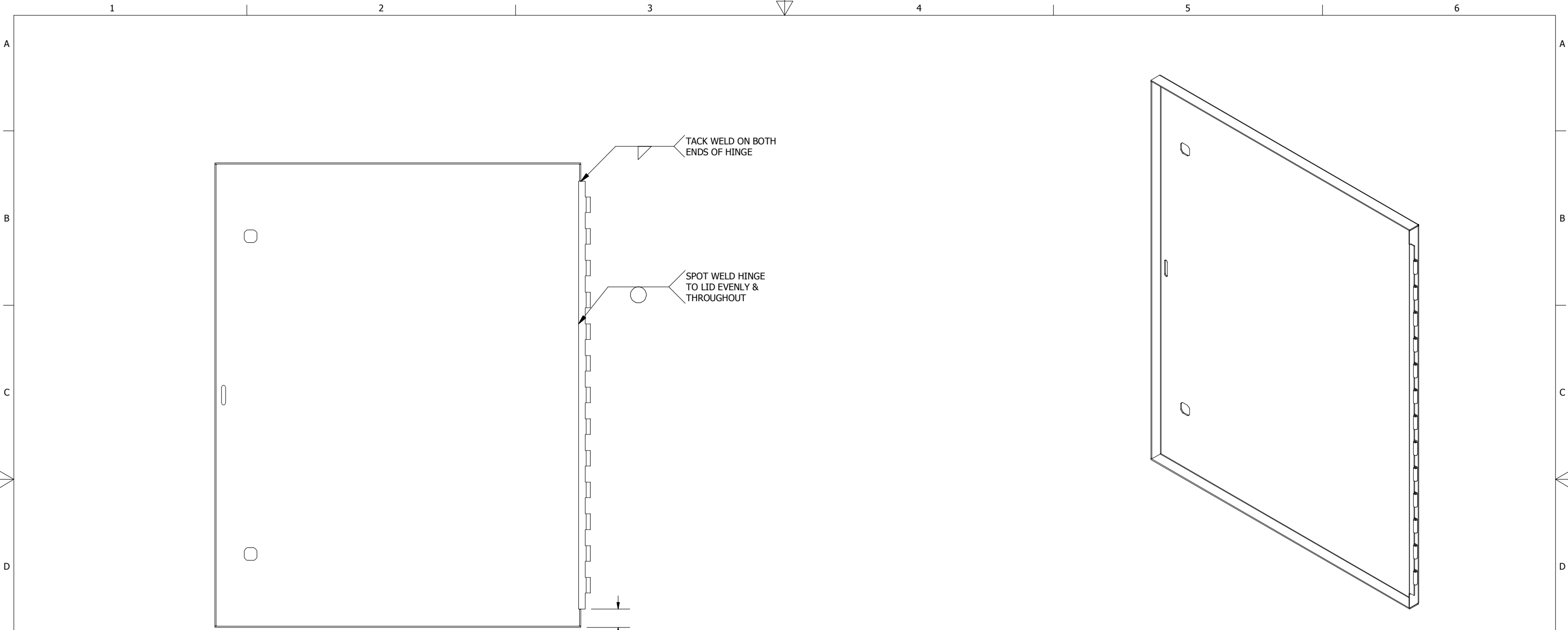
CHK'D DATE: 6/26/2014  
 CREATED ON: 6/27/2014

DESCRIPTION:  
RHC, NEMA 3R ENCL., CS, 30X24X8

DWG. NO. HWD RHC302408\_4.1  
 REV. A


SHEET 8 OF 9





LID WELD INSIDE VIEW

DIMENSIONS ARE IN INCHES (MM). TOLERANCES UNLESS OTHERWISE SPECIFIED ARE AS FOLLOWS:  
 .X = ±.06 (1.6)  
 .XX = ±.031 (.8)  
 .XXX = ±.016 (.25)  
 Ø = ±.005  
 ANGLE TOL ±1°


**WIEGMANN**  
 FREEBURG, ILLINOIS, USA

-NOTICE- THIS DRAWING IS THE PROPERTY OF WIEGMANN, A DIVISION OF HUBBELL INCORPORATED. IT IS LOANED TO YOU AND MUST NOT BE USED IN ANY WAY DETRIMENTAL TO THE INTEREST OF WIEGMANN.

PART NUMBER:  
RHC302408

DESCRIPTION:  
RHC, NEMA 3R ENCL., CS, 30X24X8

MATERIAL:  
SEE NOTE

SCALE: NONE  
 DRAWN BY: PS  
 CHK'D BY: VR

CHK'D DATE: 6/26/2014	REV. A
CREATED ON: 6/27/2014	
DWG. NO. HWDRHC302408_4.2	
SHEET 9 OF 9	