

BALDOR® • RELIANCE 

Product Information Packet

RM3116A

1 AIR OVERHP,1725RPM,3PH,60HZ,56,3424M

Part Detail							
Revision:	E	Status:	PRD/A	Change #:		Proprietary:	No
Type:	AC	Elec. Spec:	34WGX730	CD Diagram:	CD0007	Mfg Plant:	
Mech. Spec:	34K019	Layout:	34LYK019	Poles:	04	Created Date:	04-05-2013
Base:	RS	Eff. Date:	07-03-2018	Leads:	12#18		

Specs			
Catalog Number:	RM3116A	Inverter Code:	Not Inverter
Enclosure:	OPEN	KVA Code:	L
Frame:	56	Lifting Lugs:	No Lifting Lugs
Frame Material:	Steel	Locked Bearing Indicator:	No Locked Bearing
Output @ Frequency:	1.000 HP @ 60 HZ	Motor Lead Quantity/Wire Size:	12 @ 18 AWG
Synchronous Speed @ Frequency:	1800 RPM @ 60 HZ	Motor Lead Exit:	Terminal Panel
Voltage @ Frequency:	460.0 V @ 60 HZ	Motor Lead Termination:	Flying Leads
	230.0 V @ 60 HZ	Motor Type:	3424M
XP Class and Group:	None	Mounting Arrangement:	F1
XP Division:	Not Applicable	Power Factor:	70
Agency Approvals:	CSA	Product Family:	General Purpose
	UR	Pulley End Bearing Type:	Ball
Auxillary Box:	No Auxillary Box	Pulley Face Code:	Resilient Mount
Auxillary Box Lead Termination:	None	Pulley Shaft Indicator:	Standard
Base Indicator:	Resilient	Rodent Screen:	None
Bearing Grease Type:	Polyrex EM (-20F +300F)	RoHS Status:	ROHS COMPLIANT
Blower:	None	Shaft Extension Location:	Pulley End
Current @ Voltage:	2.000 A @ 460.0 V	Shaft Ground Indicator:	No Shaft Grounding

	3.900 A @ 208.0 V	Shaft Rotation:	Reversible
	4.000 A @ 230.0 V	Shaft Slinger Indicator:	No Slinger
Design Code:	B	Speed Code:	Single Speed
Drip Cover:	No Drip Cover	Motor Standards:	NEMA
Duty Rating:	CONT	Starting Method:	Direct on line
Electrically Isolated Bearing:	Not Electrically Isolated	Thermal Device - Bearing:	NONE (OLD)
Feedback Device:	NO FEEDBACK	Thermal Device - Winding:	None
Front Face Code:	Resilient Mount	Vibration Sensor Indicator:	No Vibration Sensor
Front Shaft Indicator:	None	Winding Thermal 1:	Automatic Thermal Overload
Heater Indicator:	No Heater	Winding Thermal 1 Location:	SB
Insulation Class:	B	Winding Thermal 2:	None

Nameplate NP1257L	
CAT.NO.	RM3116A
SPEC.	34K019X730G1
HP	1 AIR OVER
VOLTS	230/460
AMP	4/2
RPM	1725
FRAME	56
SER.F.	1.15
NEMA-NOM-EFF	78.5
RATING	40C AMB-CONT
CC	USABLE AT 208V 3.9
DE	6203
ENCL	OPEN
ODE	6203
SN	
CODE	L
PF	70
HZ	60
DES	B
CL	B
PH	3

Parts List		
Part Number	Description	Quantity
SA261229	SA 34K019X730G1	1.000 EA
RA247966	RA 34K019X730G1	1.000 EA
SP1000A09	TERM BOARD, MODEL 34 SW, (RPL SP1000A01)	1.000 EA
34CB4501SP	TERMINAL BOX LID, STAMPED X (PLATED)	1.000 EA
51XW0832A07	8-32 X .44, TAPTITE II, HEX WSHR SLTD SE	2.000 EA
51XW0832A07	8-32 X .44, TAPTITE II, HEX WSHR SLTD SE	2.000 EA
LD5000A52	LEAD ASSY W/INTERNAL STAR RING TERMINALS	1.000 EA
11XT1032A06	10-32 X 3/8 HX WSHR HD SLTD TYPE 23	2.000 EA
34EP3202A01	FR ENDPLATE, MACH	1.000 EA
RM1000A03	CUSHION RING, MDL 17-33-34	1.000 EA
RM1000A03	CUSHION RING, MDL 17-33-34	1.000 EA
HA6004A01A	CLAMP CUSHION RING ASSY	2.000 EA
WD4100A01	DP-875 HEYCO PLUG OR 62MP0875 MICRO PLAS	1.000 EA
51XW0832G07	8-32 X 7/16 TY23 HXWS SLDSR GR	1.000 EA
HW5100A03	WAVY WASHER (W1543-017)	1.000 EA
34EP3203A01	PU ENDPLATE, MACH	1.000 EA
XY1032A02	10-32 HEX NUT DIRECTIONAL SERRATION	4.000 EA
HW2501D13	KEY, 3/16 SQ X 1.375	1.000 EA
HA7000A04	KEY RETAINER 0.625 DIA SHAFTS	1.000 EA
MG1000G27	MED CHARCOAL METALLIC GREY 400-0096	0.014 GA
85XU0407S04	4X1/4 U DRIVE PIN STAINLESS	2.000 EA
HA3100A45	THRUBOLT 10-32 X 8.875	4.000 EA
34BA4003G01	RESILIENT BASE	1.000 EA
MN416A01	TAG-INSTAL-MAINT no wire (1200/bx) 5/18	1.000 EA

Parts List (continued)		
Part Number	Description	Quantity
LC0007	CONNECTION LABEL	1.000 EA
LB1118	LABEL,WARNING (ROLL LABEL)	1.000 EA
NP1257L	ALUM UL CSA CC THERMAL REV MTG	1.000 EA
35PA1000	PKG GRP, PRINT PK1008A06	1.000 EA

AC Induction Motor Performance Data

Record # 41858 - Typical performance - not guaranteed values

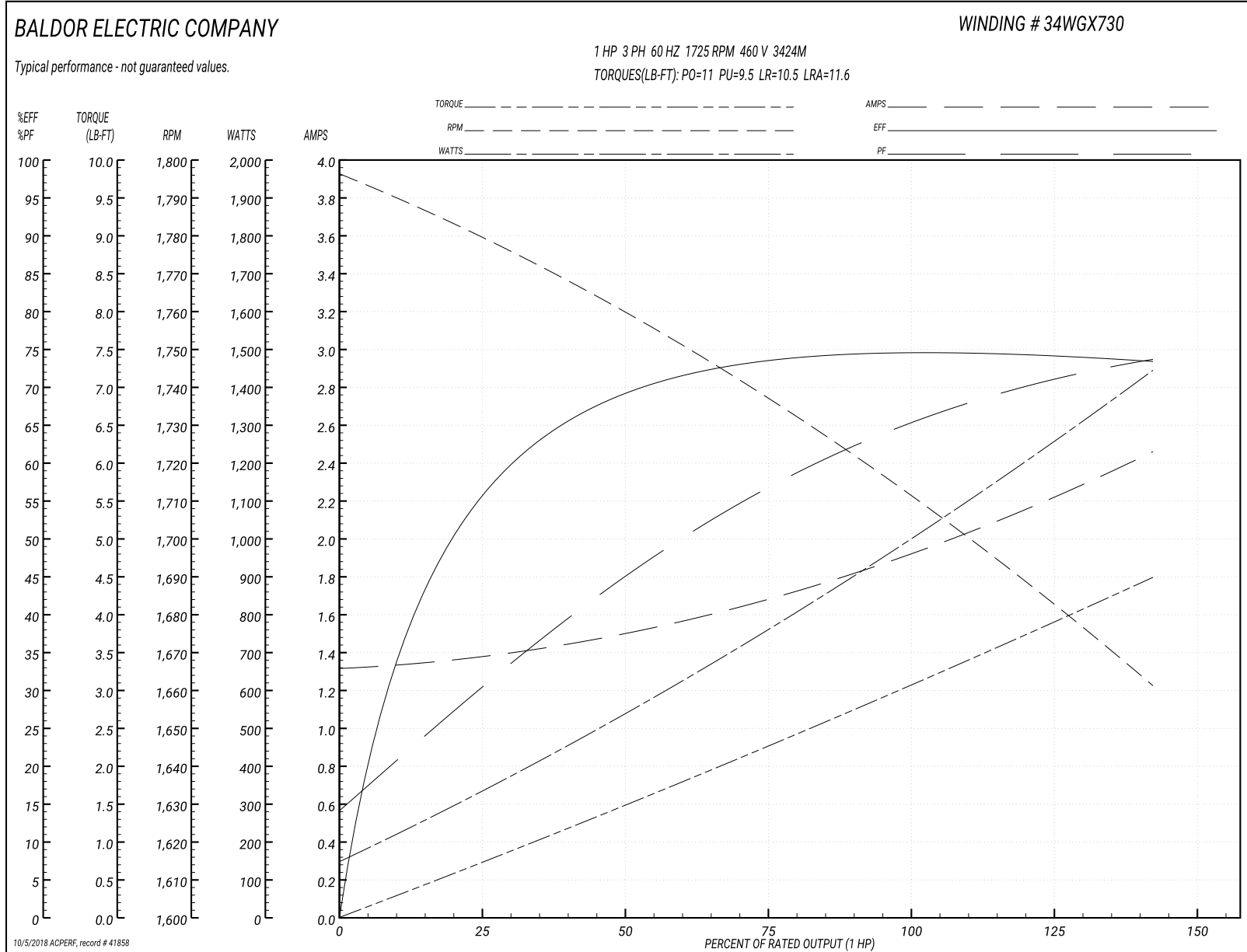
Winding: 34WGX730-R003	Type: 3424M	Enclosure: OPAO
-------------------------------	--------------------	------------------------

Nameplate Data				460 V, 60 Hz: High Voltage Connection	
Rated Output (HP)	1			Full Load Torque	3 LB-FT
Volts	230/460			Start Configuration	direct on line
Full Load Amps	4/2			Breakdown Torque	11 LB-FT
R.P.M.	1725			Pull-up Torque	9.5 LB-FT
Hz	60	Phase	3	Locked-rotor Torque	10.5 LB-FT
NEMA Design Code	B	KVA Code	L	Starting Current	11.6 A
Service Factor (S.F.)	1.15			No-load Current	1.3 A
NEMA Nom. Eff.	78.5	Power Factor	70	Line-line Res. @ 25°C	17.3 Ω
Rating - Duty	40C AMB-CONT			Temp. Rise @ Rated Load	
				Locked-rotor Power Factor	58
				Rotor inertia	0.0572 LB-FT ²

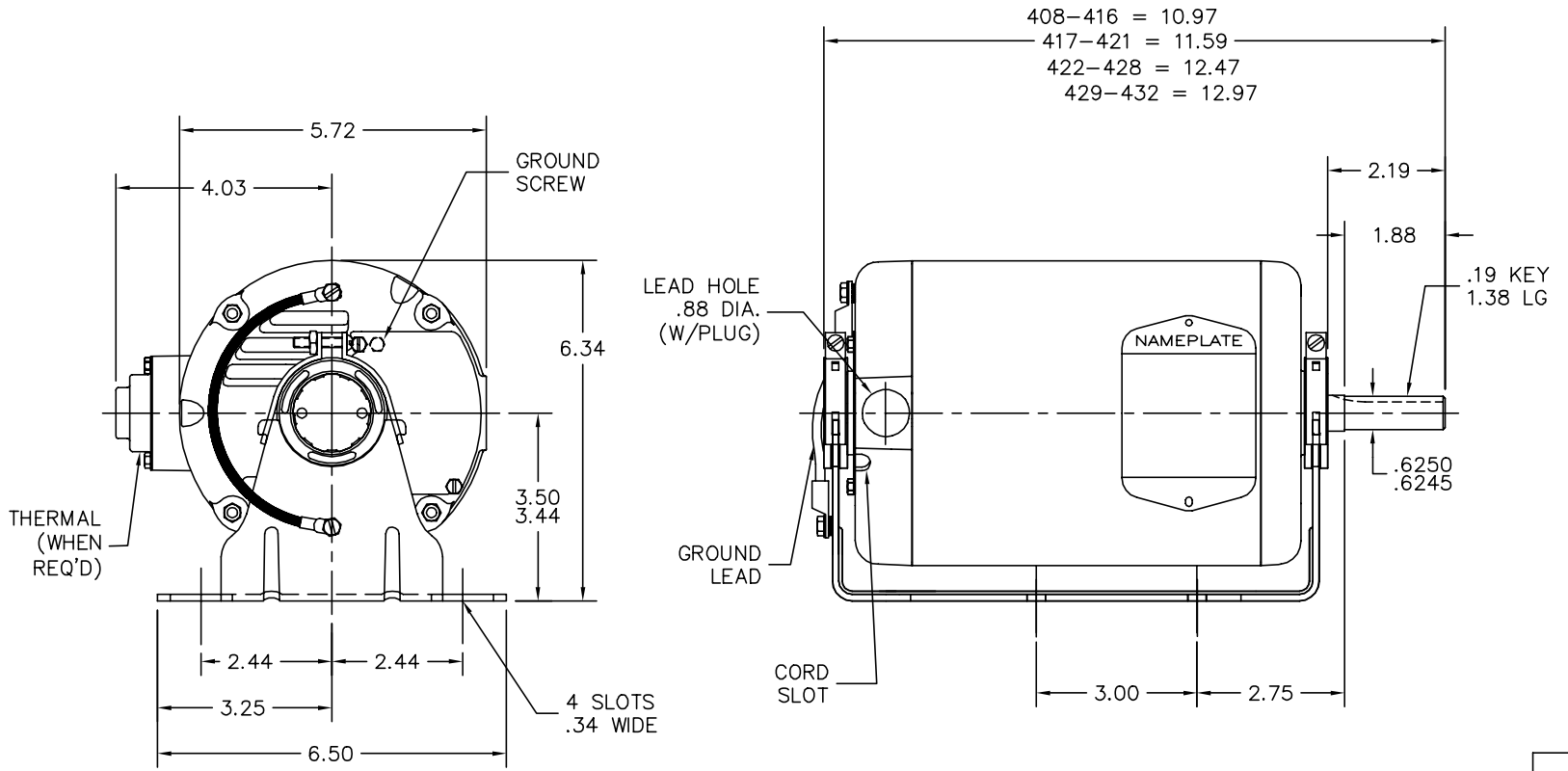
Load Characteristics 460 V, 60 Hz, 1 HP

% of Rated Load	25	50	75	100	125	150	S.F.
Power Factor	31	69	74	75	75	73	75
Efficiency	55.7	68.7	73.5	74.9	74.6	73.2	74.7
Speed	1777	1759	1738	1715	1689	1660	1699
Line amperes	1.4	1.5	1.7	1.9	2.1	2.5	2.02

Performance Graph at 460V, 60Hz, 1.0HP Typical performance - Not guaranteed values



34LYK019



CUSTOMER IS RESPONSIBLE FOR DETERMINING THAT BALDOR'S PRODUCT WILL PERFORM SUITABLY IN THE INTENDED APPLICATION.

REV. DESC: UPDATE PARTS, ADD/FIX DIMS & STANDARIZE DESC.		
REV. LTR: C	VERSION: 01	TDR: 000000873424
FILE: \AAA\00026\681	REVISED: 12: 42: 11 09/30/2014	BY: ENMAIYO
MTL: -		

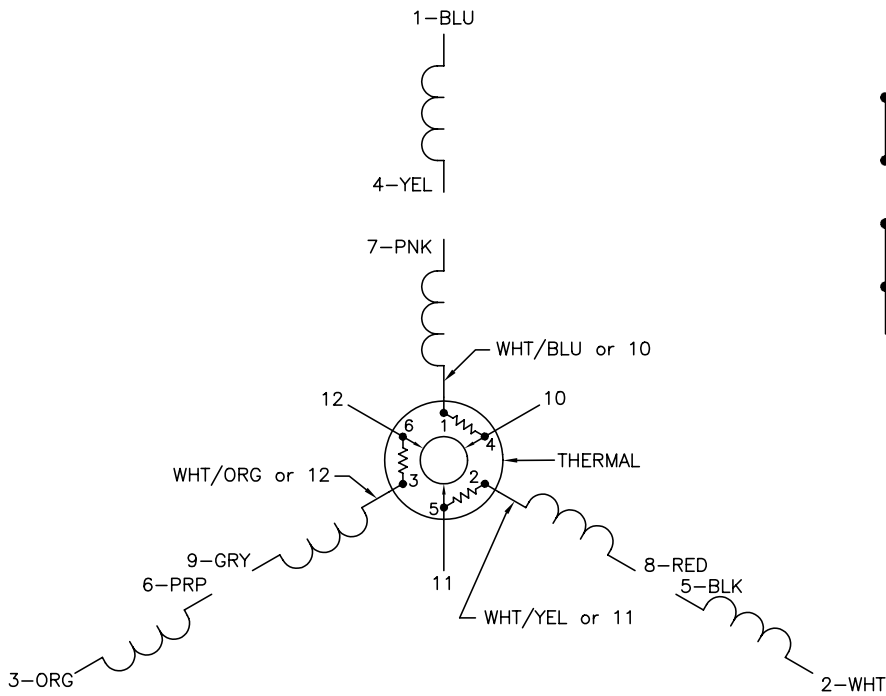
BALDOR

STD RESIL MTD MODEL 34M NEMA 56 OPEN W/TERM PANEL

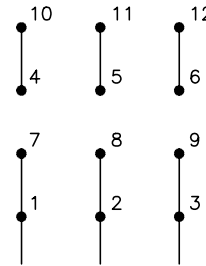
SH 1 of 1

34LYK019

CD0007

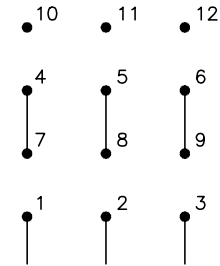


LOW VOLTAGE
(2Y)



LINE

HIGH VOLTAGE
(1Y)



LINE

NOTES:

1. INTERCHANGE ANY TWO LINE LEADS TO REVERSE ROTATION.
2. ACTUAL NUMBER OF INTERNAL PARALLEL CIRCUITS MAY VARY.
3. LEAD COLORS ARE OPTIONAL. LEADS MUST ALWAYS BE NUMBERED AS SHOWN.

REV. DESC: ADDED "CK" PLANT CODE			
REV. LTR: E	BY: EAH	REVISED: 05/06/99 17:1	TDR: 0181040
L00000		FILE: AAA00008370	MDL: -
		MTL: -	

BALDOR ELECTRIC Co.

3PH, DV, THERMAL, 12 LEADS

CD0007