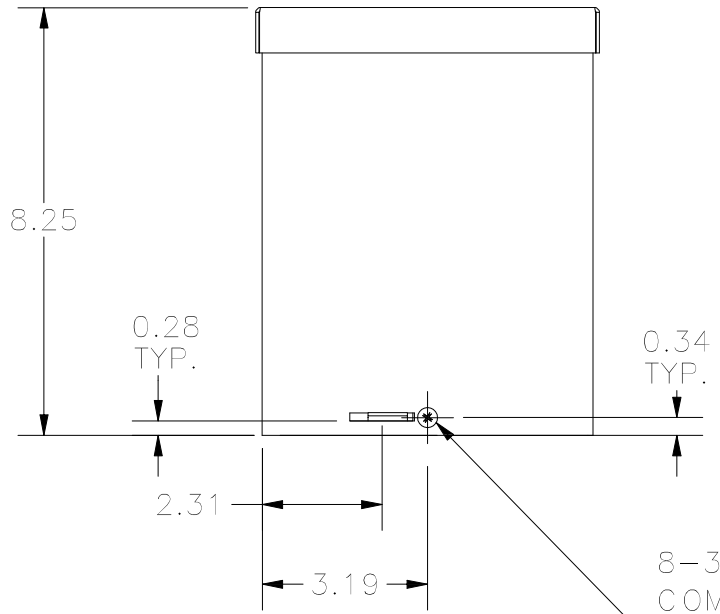
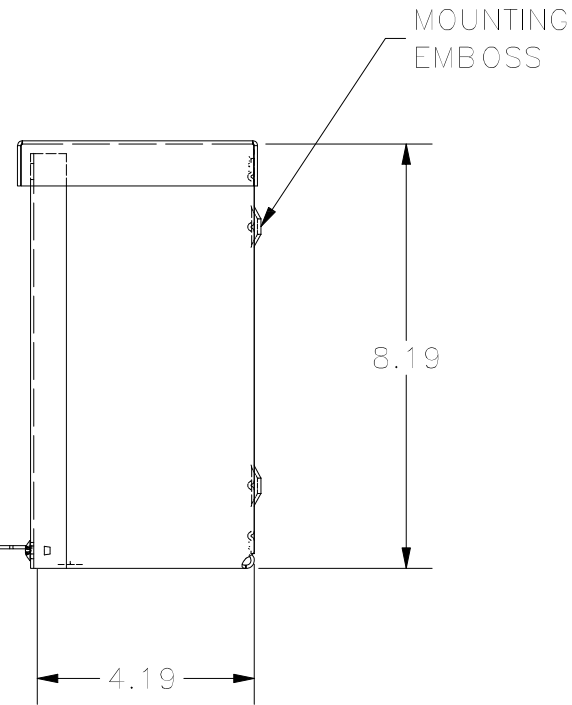


**TOP VIEW**

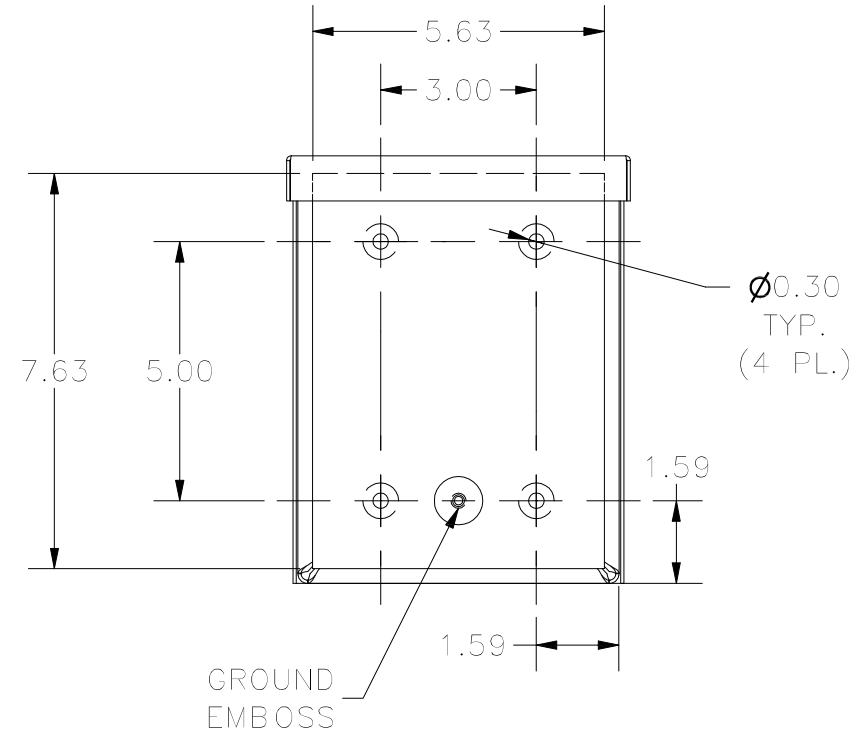


**FRONT VIEW**

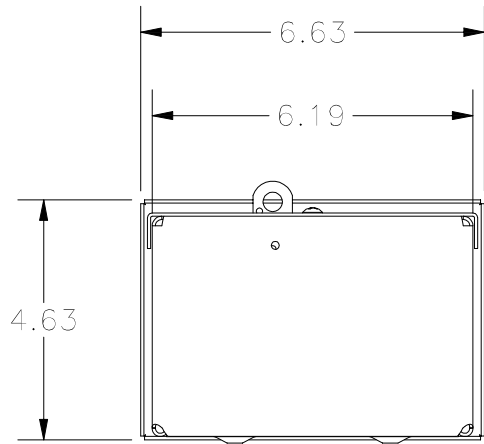
HASP &  
METER SEAL



**RIGHT VIEW**



**BACK VIEW**



**BOTTOM VIEW**

PART#: RSC060804NK  
(DATA SUBJECT TO CHANGE WITHOUT NOTICE)

THIS DRAWING IS PROPERTY OF HUBBELL INC. WIEGMANN  
ALL INFORMATION IS PROPRIETARY AND NOT TO BE DUPLICATED