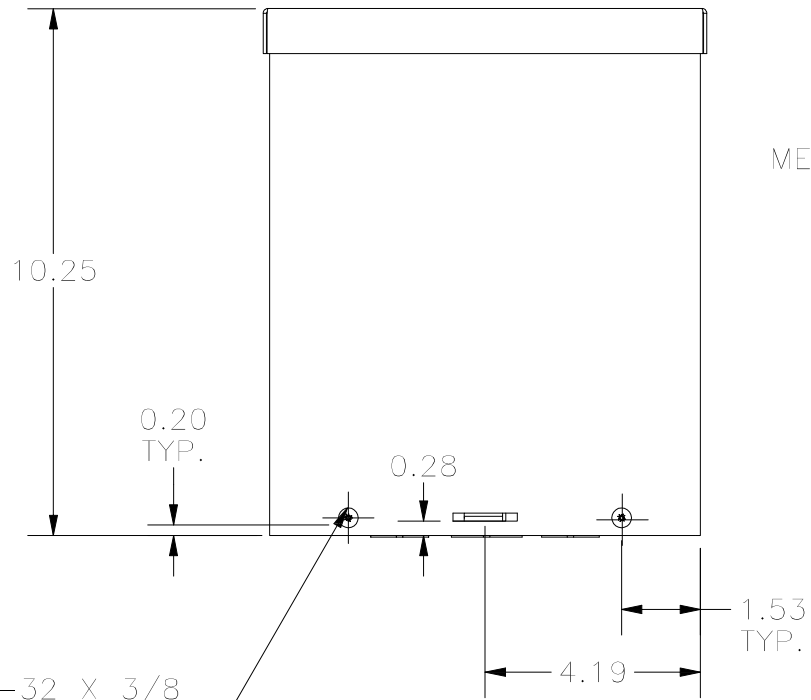
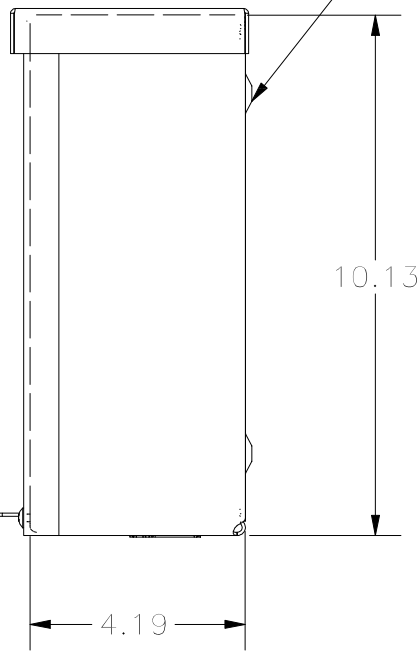


TOP VIEW

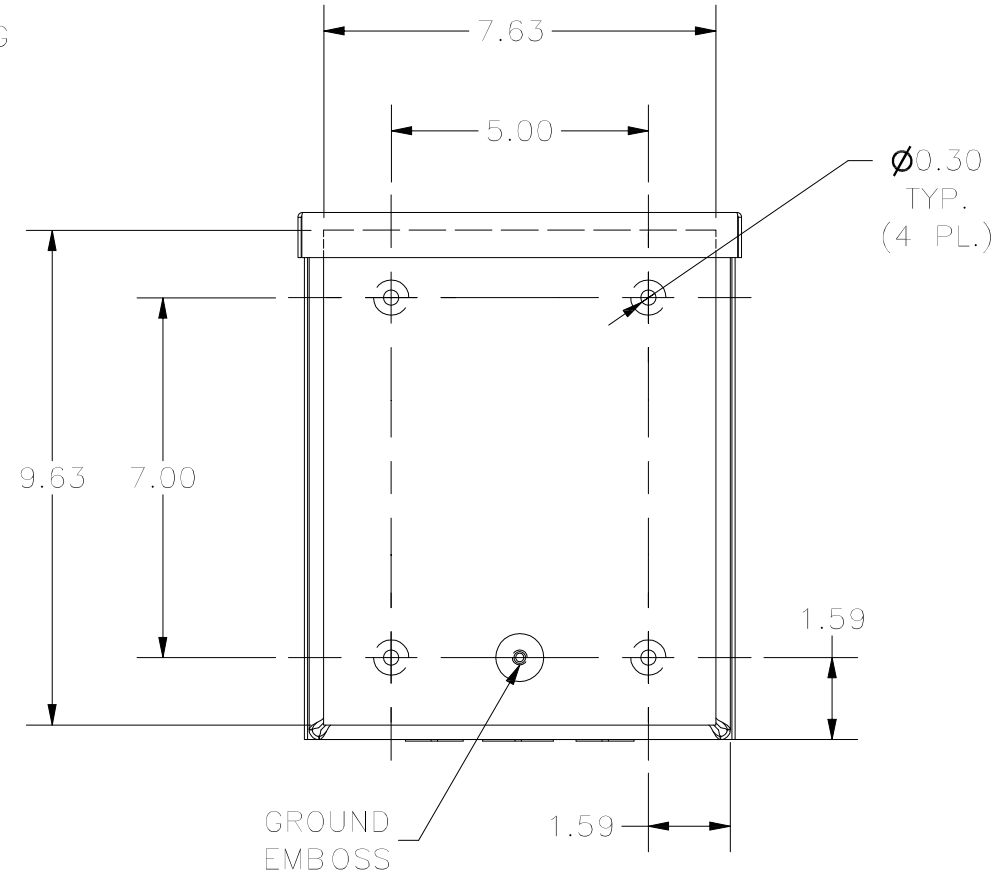


FRONT VIEW

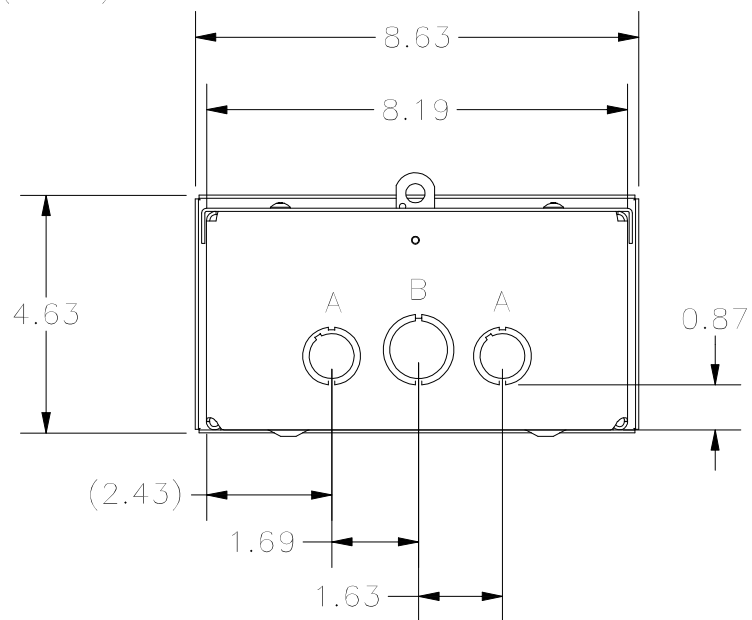
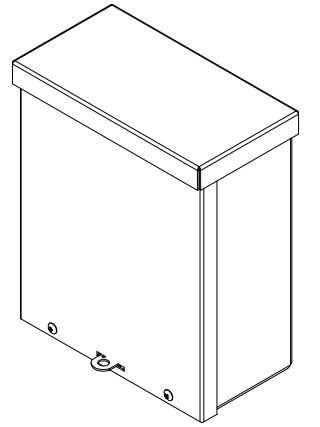
HASP & METER SEAL



RIGHT VIEW



BACK VIEW



BOTTOM VIEW

KNOCK OUT SIZE	
LETTER	SIZES
A	1/2" TO 3/4"
B	3/4" TO 1"
F	1" TO 1-1/4"

PART#: RSC081004G
 (DATA SUBJECT TO CHANGE
 WITHOUT NOTICE)

THIS DRAWING IS PROPERTY OF HUBBELL INC.
 WIEGMANN
 ALL INFORMATION IS PROPRIETARY AND NOT TO BE
 DUPLICATED