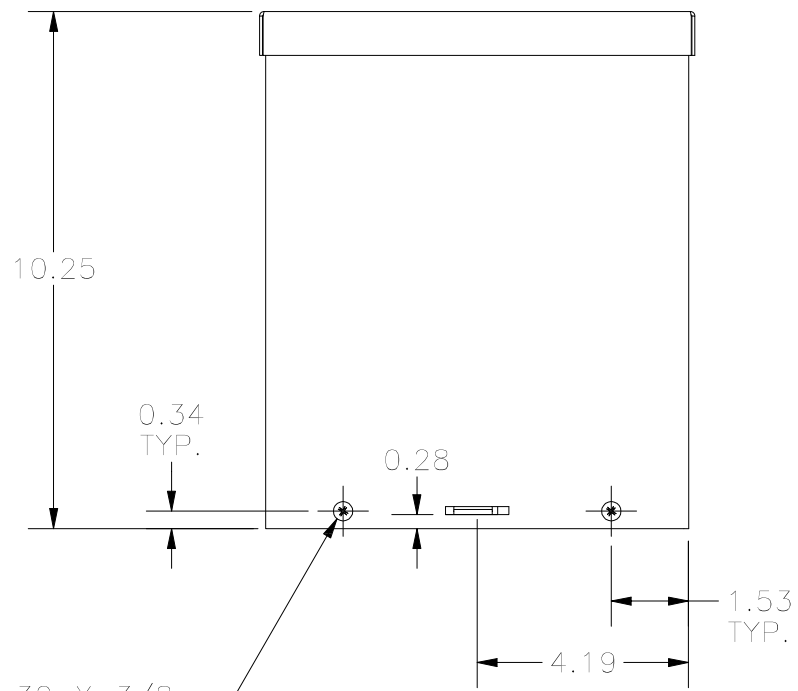
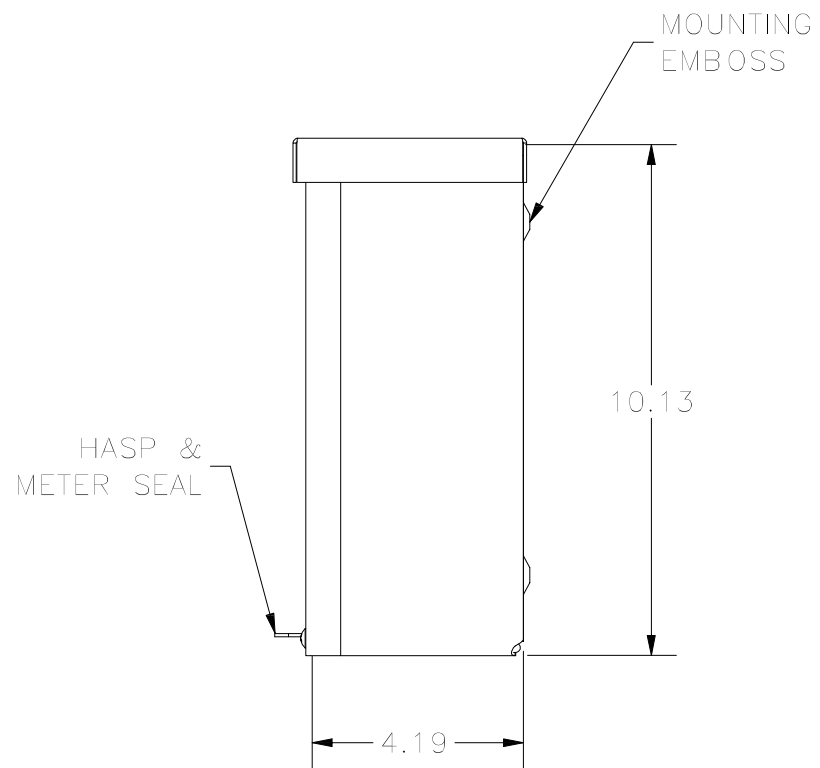


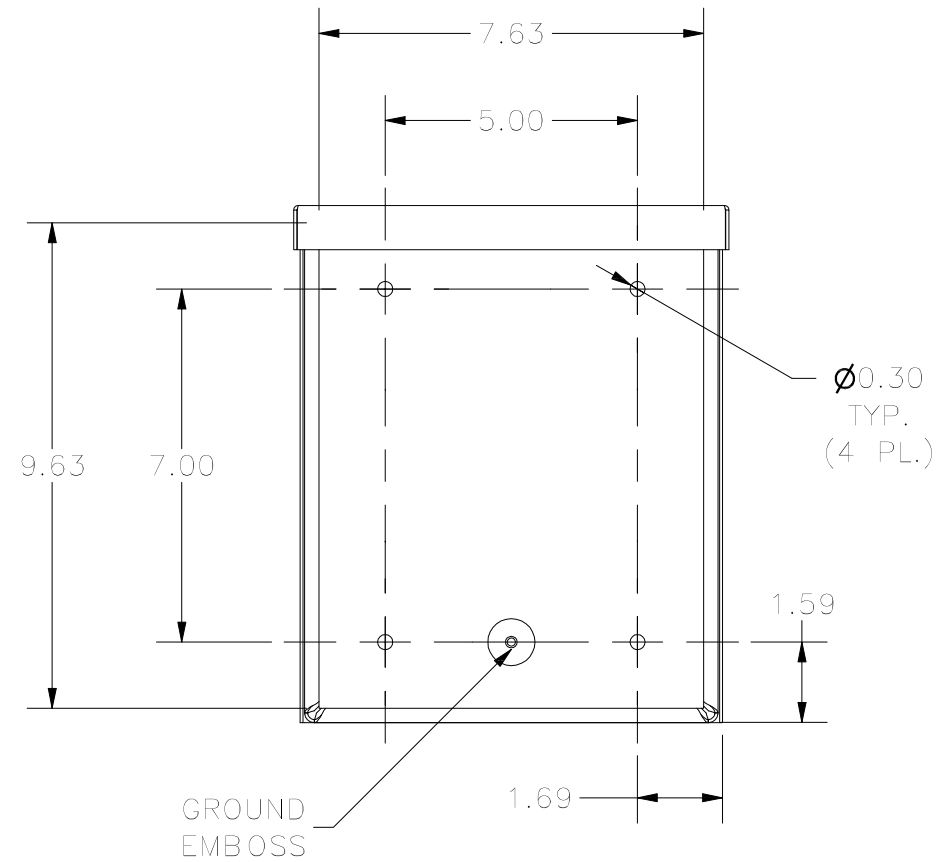
**TOP VIEW**



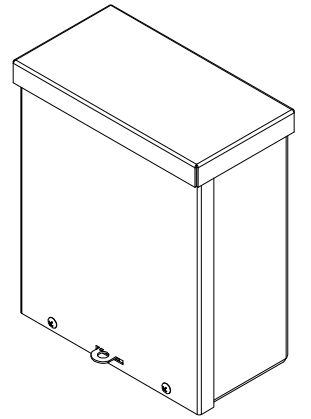
**FRONT VIEW**



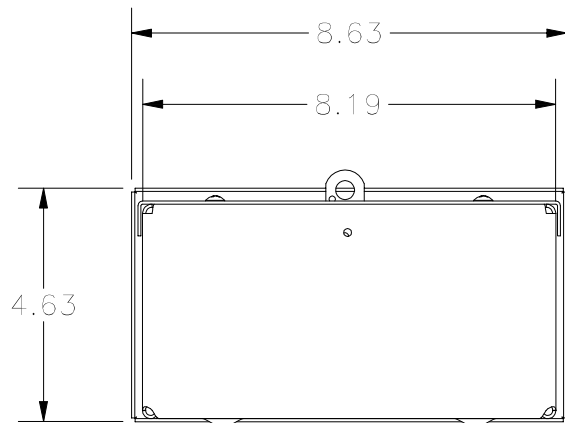
**RIGHT VIEW**



**BACK VIEW**



8-32 X 3/8  
COMBO HD.  
SCREW  
(2 PL.)



**BOTTOM VIEW**

PART#: RSC081004GNK  
(DATA SUBJECT TO CHANGE WITHOUT NOTICE)

THIS DRAWING IS PROPERTY OF HUBBELL INC. WIEGMANN  
ALL INFORMATION IS PROPRIETARY AND NOT TO BE DUPLICATED